



The Morrison 715 Series remote fill box is a simple 10-gallon capacity cabinet that provides containment of small spills during tank filling operations. Each unit is supplied with tank mount brackets for easy installation on storage tanks.

Features

- 10-gallon (37.85 liter) capacity
- 2" or 3" male NPT threaded or 150# raised face flange top connection
- Vented and weatherproof
- Hinged door is lockable with a padlock
- Bottom sloped (right to left) toward drain and pump mounting location; drains on left side
- Vapor recovery mounting bracket integrated into the cabinet exterior
- Vapor recovery adaptor, cap, and u-bolt kits are available
- Available with hand pump assembly, ball valve, quick disconnect check valve coupler/adaptor, dry disconnect adaptor, and dust cap/plug in 2" or 3" configuration
- All connection assemblies are factory installed and tested prior to shipping
- DEF, Aviation, and E-85 models are available
- Post mount kits and four-leg stands are available in powder coated steel
- Four-leg stands are also available in stainless steel

Construction Details

- Box and door are 14-gauge steel, powder coated white, or 304 stainless steel
- Ball valve is Morrison 691 series brass or 691BSS series stainless steel
- Quick disconnect coupler and plug are aluminum, anodized aluminum, or stainless steel
- Quick disconnect adaptor and cap are anodized aluminum
- Dry disconnect adaptor and cap are aluminum, anodized aluminum, or stainless steel

Vapor recovery kit

- Vapor recovery adaptor is aluminum with FKM
- Vapor recovery cap is aluminum, powder coated orange
- Hand pump is steel construction, PTFE seals with FKM o-rings, or stainless steel with PTFE and FKM

Box dimensions

- Width = 24.38" Height = 28.88" (34.8" including flange) Depth = 19.19"

Approvals

CAN-ULC-S663-11; Florida DEP EQ-787



Fig. 715



Fig. 715S



Fig. 715
(flanged top connection)





Model 715 & 715S Remote Fill Box -Top Connection (continued)

SPECIFICATION SHEET

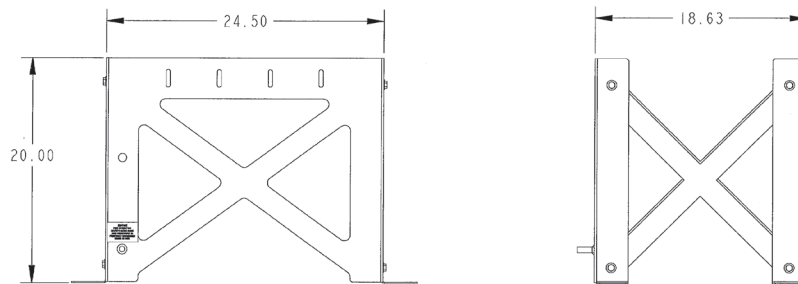
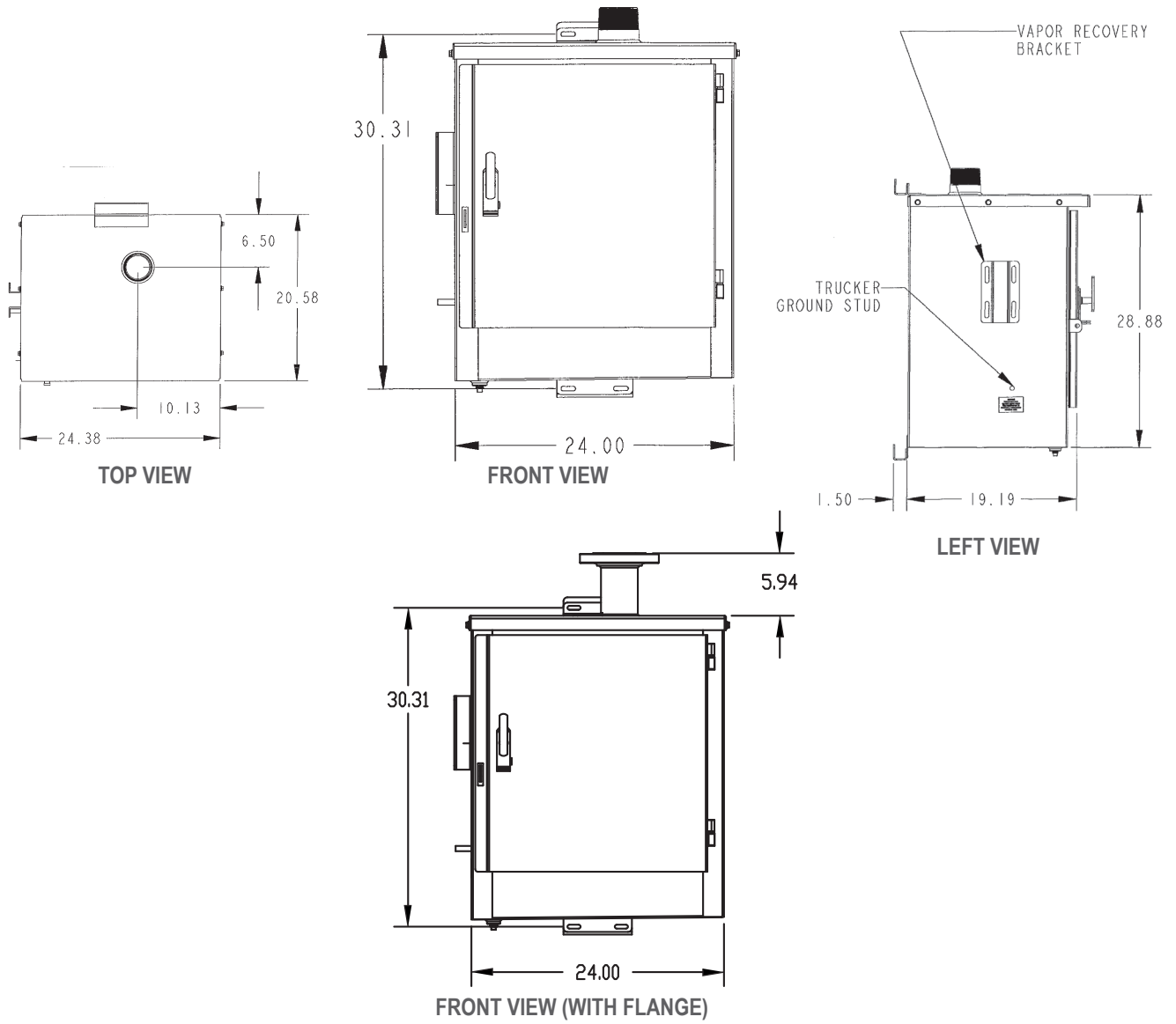
Item Number	Size	Description	Weight (lbs.)
715--T00-0000-0	10-gal.	Top connection with no outlets	101
715--TT2-2QBB-0	2"—10-gal.	Top connection w/2" AL female QD coupler, BR ball valve, hand pump	141
715--TT2-2MBB-0	2"—10-gal.	Top connection w/2" AL male QD adaptor, BR ball valve, hand pump	141
715--TT2-2DBB-0	2"—10-gal.	Top connection w/2" AL dry disc adaptor, BR ball valve, hand pump	143
715--TT2-2MB0-0	2"—10-gal.	Top connection w/2" AL male QD adaptor, BR ball valve	N/A
715--TT2-2QB0-0	2"—10-gal.	Top connection w/2" AL female QD coupler, BR ball valve	N/A
715--TT2-2DS0-0	2"—10-gal.	Top connection w/2" AL dry disc adaptor, SS ball valve	N/A
715--TT3-0000-0	3"—10-gal.	Top connection with no internal components	135
715--TT3-000B-0	3"—10-gal.	Top connection with hand pump	N/A
715--TT3-2DSE-0	3"—10-gal.	Top connection w/2" AL dry disc adaptor, SS ball valve, E85 hand pump	N/A
715--TT3-3QBB-0	3"—10-gal.	Top connection w/3" AL female QD coupler, BR ball valve, hand pump	144
715--TT3-3MBB-0	3"—10-gal.	Top connection w/3" AL male QD adaptor, BR ball valve, hand pump	144
715--TT3-3DBB-0	3"—10-gal.	Top connection w/3" AL dry disc adaptor, BR ball valve, hand pump	158
715--TT3-3MB0-0	3"—10-gal.	Top connection w/3" AL male QD adaptor, BR ball valve	N/A
715S-TT2-2MBB-0	2"—10-gal.	SS top connection w/2" AL male QD adaptor, BR ball valve, hand pump	132
715S-TT2-2DBB-0	2"—10-gal.	SS top connection w/2" AL dry disc adaptor, BR ball valve, hand pump	135
715S-TT2-2ESS-0	2"—10-gal.	SS top connection w/2" SS dry disc adaptor, SS ball valve, SS hand pump	N/A
715S-TT2-2SSS-0	2"—10-gal.	SS top connection w/2" SS female QD coupler, SS ball valve, SS hand pump	N/A
715S-TT3-0000-0	3"—10-gal.	SS top connection with no internal components	135
715S-TT3-2QBB-0	3"—10-gal.	SS top connection w/2" AL female QD coupler, BR ball valve, hand pump	132
715S-TT3-2DS0-0	3"—10-gal.	SS top connection w/2" AL dry disc adaptor, SS ball valve	N/A
715S-TT3-2DSE-0	3"—10-gal.	SS top connection w/2" AL dry disc adaptor, SS ball valve, E85 hand pump	N/A
715S-TT3-2ES0-0	3"—10-gal.	SS top connection w/2" SS dry disc adaptor, SS ball valve	N/A
715S-TT3-2ESS-0	3"—10-gal.	SS top connection w/2" SS dry disc adaptor, SS ball valve, SS hand pump	N/A
715S-TT3-2MBE-0	3"—10-gal.	SS top connection w/2" AL male QD adaptor, BR ball valve, E85 hand pump	N/A
715S-TT3-3QBB-0	3"—10-gal.	SS top connection w/3" AL female QD coupler, BR ball valve, hand pump	144
715S-TT3-3MBB-0	3"—10-gal.	SS top connection w/3" AL male QD adaptor, BR ball valve, hand pump	144
715S-TT3-3DBB-0	3"—10-gal.	SS top connection w/3" AL dry disc adaptor, BR ball valve, hand pump	148
715S-TT3-3DS0-0	3"—10-gal.	SS top connection w/3" AL dry disc adaptor, SS ball valve	N/A
715S-TT3-3DSE-0	3"—10-gal.	SS top connection w/3" AL dry disc adaptor, SS ball valve, E85 hand pump	N/A
715S-TT3-3SS0-0	3"—10-gal.	SS top connection w/3" SS female QD coupler, SS ball valve	N/A
715S-TT3-3SSE-0	3"—10-gal.	SS top connection w/3" SS female QD coupler, SS ball valve, E85 hand pump	N/A
715--TF4-0000-0	2"—10-gal.	Flanged top remote fill box with no internal components	N/A
715S-TF4-0000-0	2"—10-gal.	SS flanged top remote fill box with no internal components	N/A
715--TF5-0000-0	3"—10-gal.	Flanged top remote fill box with no internal components	N/A
715S-TF5-0000-0	3"—10-gal.	SS flanged top remote fill box with no internal components	N/A
715---VR30 AK		3" Vapor recovery kit	N/A
715---VR40 AK		4" Vapor recovery kit	N/A
715---P060 AK		Post mount kit - 3" x 60" post with clamps and base	N/A
715---S400 AS		Four-leg stand for 715 fill box, powder coated steel	N/A
715S--S400 AS		Four-leg stand for 715 fill box, stainless steel	N/A
715---0373 AK		Mounting plate assembly kit	

*Please consult Price List for additional options.



MORRISON BROS. CO.

570 E. 7th Street | Dubuque, IA 52001
 t. 563.583.5701 | 800.553.4840 | f. 563.583.5028
 www.morbros.com



FOUR-LEG STAND



715 Part Numbering System

How to “Build-a-Box”

To order, simply select desired option from each category and insert the corresponding letter or number in the appropriate space below.

Example:

715 - - **T T 3** - **2 Q B B** - **0**

<p>Model Number ———</p> <p>Fill Box Construction</p> <p>- 10 gal. powder coated steel</p> <p>S 10 gal. 304 stainless steel</p> <p>F 7 gal. powder coated in-wall mount</p> <p>FS 7 gal. 304 stainless steel in-wall mount</p> <p>Mounting Style</p> <p>T Tank/Wall</p> <p>Connection Location</p> <p>0 No outlet</p> <p>B Bottom</p> <p>F Flange</p> <p>K Back</p> <p>T Top NPT male thread</p> <p>Connection Thread Size</p> <p>0 No outlet fitting</p> <p>2 2" Male NPT nipple</p> <p>3 3" Male NPT nipple</p> <p>4 2" 150# Raised face flange</p> <p>5 3" 150# Raised face flange</p> <p>Component Size</p> <p>0 Box only</p> <p>2 2" components</p> <p>3 3" components</p>	<p>Open</p> <p>0 Box only</p> <p>Hand Pump Assembly</p> <p>0 No hand pump assembly</p> <p>B Base package*</p> <p><i>* Hand pump assembly base package: Steel constructed hand pump with PTFE seals and FKM o-rings, reinforced polyurethane tubing, brass check valve and ball valve.</i></p> <p>E E85 Package</p> <p><i>* Hand Pump Assembly E85 Package: Steel constructed hand pump with PTFE seals and FKM o-rings, reinforced polyurethane tubing, stainless steel check valve and ball valve.</i></p> <p>S Stainless Steel Package</p> <p><i>* Hand Pump Assembly Stainless Steel Package: Stainless steel constructed hand pump with PTFE seals and FKM o-rings, reinforced polyurethane tubing, stainless steel check valve and ball valve.</i></p> <p>Ball Valve</p> <p>0 Box only</p> <p>B Full port NPT ball valve with brass body, hard chrome plated ball & PTFE seals</p> <p>S Full port, locking, NPT ball valve with stainless steel body and ball, PTFE seals</p> <p>Inlet Connection</p> <p>0 Box only</p> <p>D Dry disconnect, hardcoated aluminum with stainless steel piston, FKM gaskets, and aluminum dust cap</p> <p>E Dry disconnect, stainless steel body and piston, FKM gasket, and stainless steel dust cap (only available in 2")</p> <p>Q 90° quick disconnect aluminum female coupler with brass check valve, FKM seals, and aluminum dust plug</p> <p>S 90° quick disconnect stainless steel coupler with check valve, FKM seals, and stainless steel dust plug</p> <p>M 90° quick disconnect aluminum male adaptor with stainless steel check valve, FKM seals, and aluminum dust cap</p>
---	---

Additional Options:

- 60" Post mount kit: 715---P060 AK
- Mounting Plate: 715---0373 2PPW (not compatible with in-wall models)
- Stand: 715---S400 AS (4-leg stand, powder coated steel)
- Stand: 715S--S400 AS (4-leg stand, stainless steel)
- Vapor recovery kits: 715---VR30 AK (3") and 715---VR40 AK (4")



For a complete listing of 715 item numbers, please refer to the Morrison Price List. These items are manufactured to the customer's specifications and, therefore, are non-returnable and non-cancellable once in production.

570 E. 7th Street | Dubuque, IA 52001
 t. 563.583.5701 | 800.553.4840 | f. 563.583.5028
 www.morbros.com