

715 AST Remote Fill Box

Installation & Maintenance Instructions

The Model 715 Series AST Remote Fill Box is designed to be used as a spill container/tank filling port for aboveground fuel storage tanks.



Failure to follow any or all of the warnings and instructions in this document could result in a hazardous liquid spill, which could result in property damage, environmental contamination, fire, explosion, serious injury or death.

Installation



Warnings

- **Fire Hazard** – Death or serious injury could result from spilled liquids.
- Install in accordance with all applicable local, state, and federal laws.
- For your safety, it is important to follow local, state, federal and/or OSHA rules that apply to working inside, above, or around the storage tank and piping area. Use all personal protective equipment required for working in the specific environment.
- Tanks could be under pressure. Vapors could be expelled from tank vents, piping, valves or fittings while performing installation. Vapors could catch fire or cause an explosion. **Avoid** sparks, open flame, or hot tools when working on this device.

Steps for Mounting the Model 715

1. Remove the packaging materials from the unit.
2. Thoroughly inspect the unit for shipping damage. If damage is found, do not use the unit. Contact Morrison Bros. Co. customer service for assistance.
3. The unit has mounting brackets on the top and bottom of the rear of the box. Utilize these brackets, and suitable bolts and nuts (not provided), to mount the unit.

Note: The in-wall mount models have a mounting plate all the way around the front of the fill box. This plate has obround holes for mount bolts. Utilize suitable bolts to mount the unit into the desired wall opening.

4. Some units are shipped with companion mounting brackets that can be attached to a mounting surface if desired. In some cases the owner may wish to send these extra brackets to their tank manufacturer to have them welded to their tank during the tank manufacturing process. This should only be performed by the actual tank manufacturer.
5. The piping connection at the fill box outlet should be plumb/square to facilitate proper connection of mating pipe.

Steps for Connecting Piping to the Model 715

1. Use a fuel resistant, non-hardening, anti-seize thread sealant on the threaded pipe connection on the top of the unit.
2. Attach the desired mating pipe, or pipe fitting, to the connection on the top of the unit.
3. Mating piping should be independently supported such that the Model 715 is not supporting the weight of the mating piping.

WARNING: Prior to final inspection and placing system in service, it is the responsibility of the installer to pressure test the entire piping assembly, including the piping in this unit, to insure the integrity of the piping, valves, and fittings. Testing parameters listed in NFPA30 or PEI RP200 should be followed and performed by someone familiar with these systems.

WARNING: All elements of this system, including the grounding stud, piping, and tank must be connected to a common earth electrical ground. Verify electrical continuity of these components to the common earth ground.

Operation



Warnings

- **Fire Hazard** – Death or serious injury could result from spilled liquids.
- Operate in accordance with all applicable local, state, and federal laws.
- For your safety, it is important to follow local, state, federal and/or OSHA rules that apply to working inside, above, or around the storage tank and piping area. Use all personal protective equipment required for working in the specific environment.
- Tanks could be under pressure. Vapors could be expelled from tank vents, piping, valves or fittings while performing installation. Vapors could catch fire or cause an explosion. **Avoid** sparks, open flame, or hot tools when working on this device.

Steps for Operating the Model 715

1. Connect the ground cable to the unit.
2. Check tank liquid level and confirm that the planned delivery load will fit into tank. Verify the product in the tank matches the product being delivered.
3. Unlock and open the door of the unit.
4. Verify that drain plug is sealed and properly tightened.
5. Connect the delivery hose to the hose coupling inside the unit.
6. Open valve on delivery truck.
7. Open large ball valve inside the unit.
8. Start the delivery pump.
9. Stop the delivery pump when tank has reached the predetermined fill level.
10. Close valve on delivery truck.
11. Close large ball valve inside the unit.
12. Disconnect the delivery hose from the fill connection inside the unit.
13. Remove any liquid spilled inside the unit by using the hand pump, bailing, and/or mopping with absorbent pads.
14. If using the hand pump, open the small ball valve in the hand pump line and actuate the pump. When finished hand pumping the spilled liquid, close the small ball valve. Use absorbent pads to mop up any residual liquid.
15. Close and lock the door.
16. Disconnect the ground cable.

Notice: Liquid spilled inside the Model 715 should not be drained to the ground or atmosphere. All hazardous materials need to be properly disposed according to local, state, or federal regulations.

Maintenance

Clean and remove any dirt, debris, or spilled product from the unit as it accumulates. Inspection is required on a regular basis, or at least once a year.



Warnings

- **Fire Hazard** – Death or serious injury could result from spilled liquids.
- For your safety, it is important to follow local, state, federal and/or OSHA rules that apply to working inside, above, or around the storage tank and piping area. Use all personal protective equipment required for working in the specific environment.
- Tanks could be under pressure. Vapors could be expelled from tank vents, piping, valves or fittings while performing maintenance. Vapors could catch fire or cause an explosion. **Avoid** sparks, open flame, or hot tools when working on this device.

Steps for Maintaining the Model 715

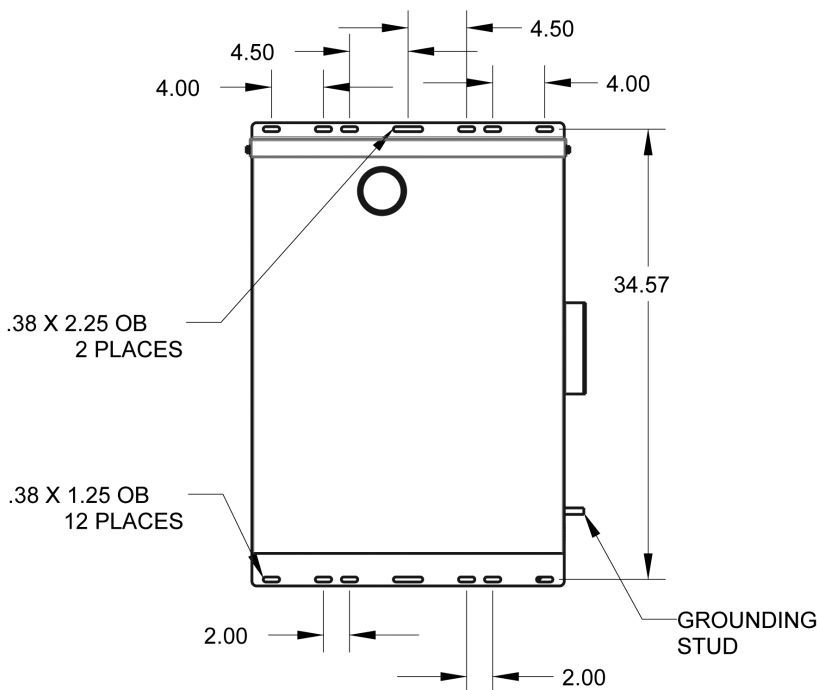
1. Visually inspect the exterior and interior to make certain the unit is not worn or damaged to the point of affecting the functionality.
2. Remove any liquid spilled inside the unit by using the hand pump, draining through the drain plug, bailing, and/or mopping with absorbent pads.
3. If using the hand pump, open the small ball valve on the hand pump line and actuate the pump. When finished hand pumping the spilled liquid, close the small ball valve. Use absorbent pads to mop up any residual liquid.
4. Make certain drain plug is installed and tight.
5. Verify electrical continuity of all system elements, including the grounding stud, piping, and tank to the common earth ground.

Notice: Liquid spilled inside the Model 715 should not be drained to the ground or atmosphere. All hazardous materials need to be properly disposed according to local, state, or federal regulations.

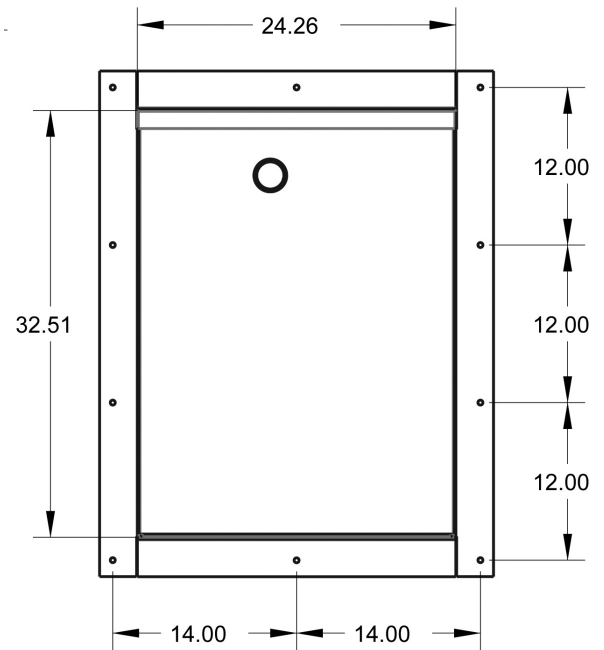


Failure to follow any or all of the warnings and instructions in this document could result in a hazardous liquid spill, which could result in property damage, environmental contamination, fire, explosion, serious injury or death.

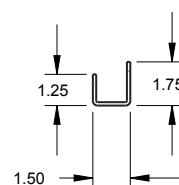
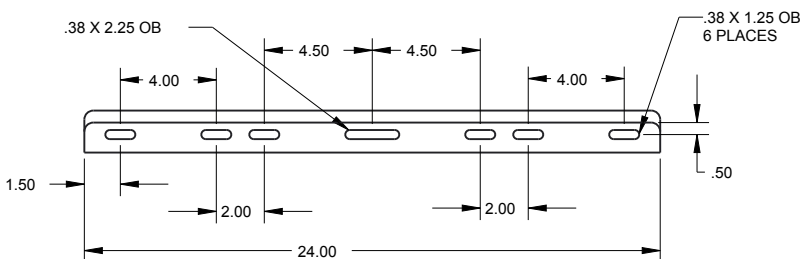
Back Connection



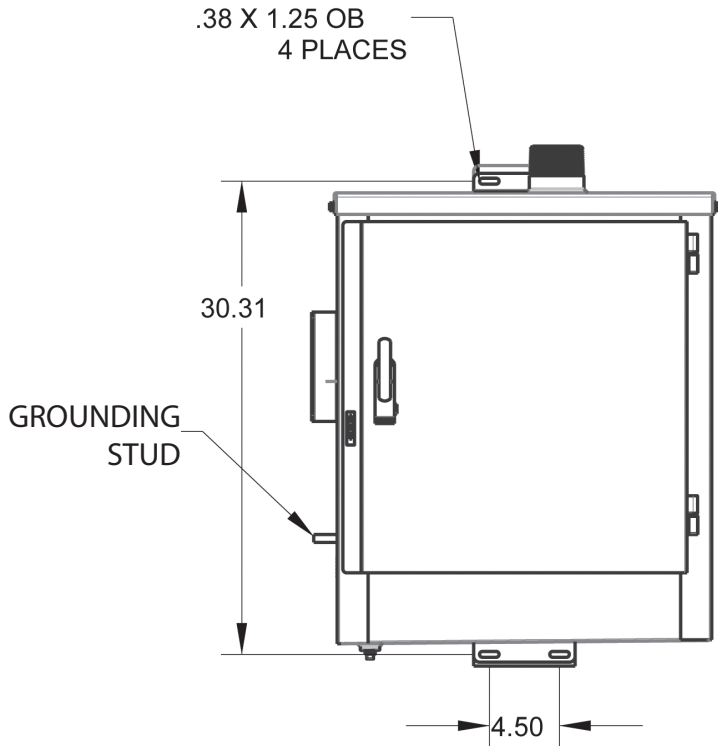
Flush Mount



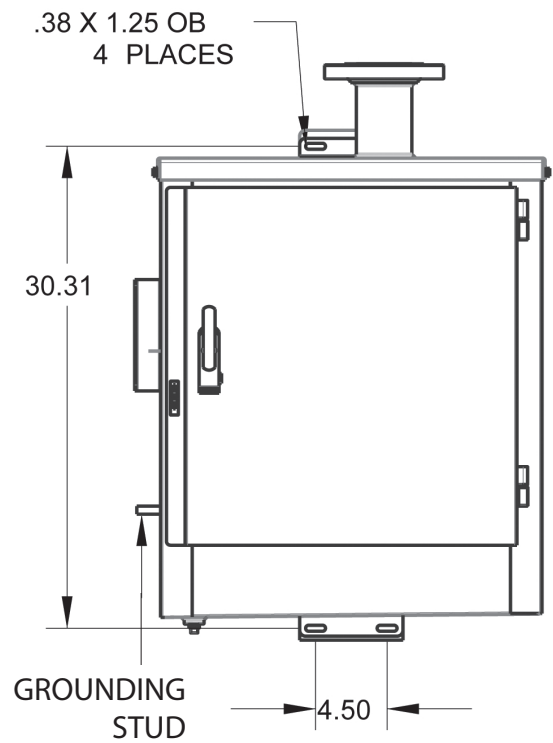
Mounting Brackets for Back Connection



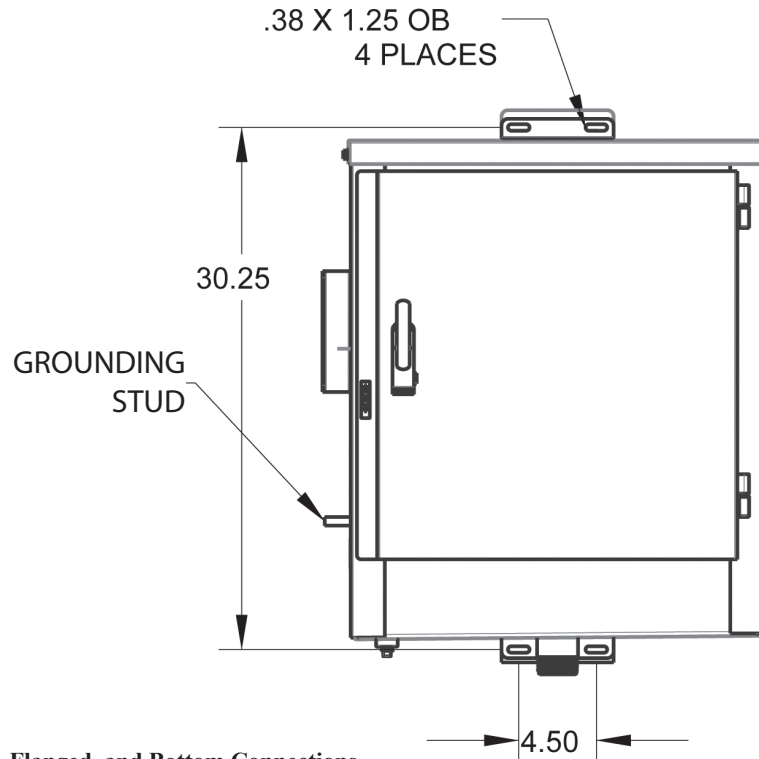
Top Connection



Flanged Connection



2" and 3" Bottom Connection



Mounting Brackets for Top, Flanged, and Bottom Connections

