

Model 715 Remote Fill Box -Bottom Connection

SPECIFICATION SHEET

The 715 series remote fill box is a simple 10-gallon capacity cabinet that provides containment of small spills during tank filling operations.

Features

- 10-gallon (37.85 liter)
- 14 gauge steel (powder coated white)
- 2" or 3" male NPT threaded or flanged bottom connection
- Pad-lockable
- Integral grounding stud
- Vapor recovery mounting brackets
- Sloped bottom to drain
- Drain located in front
- Four-leg stands are also available in powder coated steel and stainless steel

Construction Details

- Box and door are 14-gauge steel, powder coated white, or 304 stainless steel (special order item with longer lead times)
- Ball valve is Morrison 691 series brass or 691BSS series stainless steel
- Quick disconnect coupler and plug are aluminum, anodized aluminum, or stainless steel
- Quick disconnect adaptor and cap are anodized aluminum
- Dry disconnect adaptor and cap are aluminum, anodized aluminum, or stainless steel

Box dimensions

Width = 24.26"

Height = 28.92" (Flange included = 34.80")

Depth = 19.19"

Certifications and Listings

CAN-ULC-S663-11; Florida DEP EQ-787

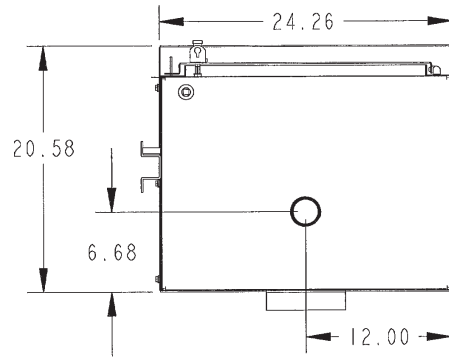
Item Number	Size	Description
715--TB2-0000-0	2"—10 gal.	Bottom connection w/ no internal components
715--TB3-0000-0	3"—10 gal.	Bottom connection w/ no internal components
715--TB2-2MBB-0	2"—10 gal.	Bottom connection w/2" AL male QD adaptor, BR ball valve, hand pump
715--TB2-2QBB-0	2"—10 gal.	Bottom connection w/2" AL female QD coupler, BR ball valve, hand pump
715---S400 AS		4 leg stand, powder coated steel
715S--S400 AS		4 leg stand, stainless steel
715---0373 2K		Mounting plate assembly kit

*Please consult Price List for additional options.

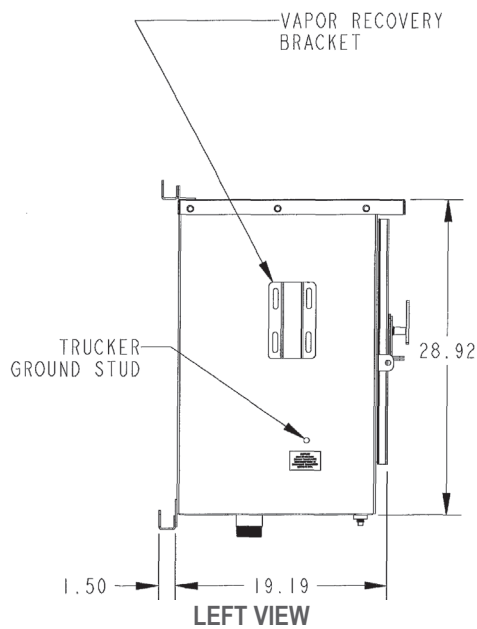


† As of March 2018, please note that Bottom Connection models are now 10-gallon capacities instead of 7-gallon. Measurements have also changed.

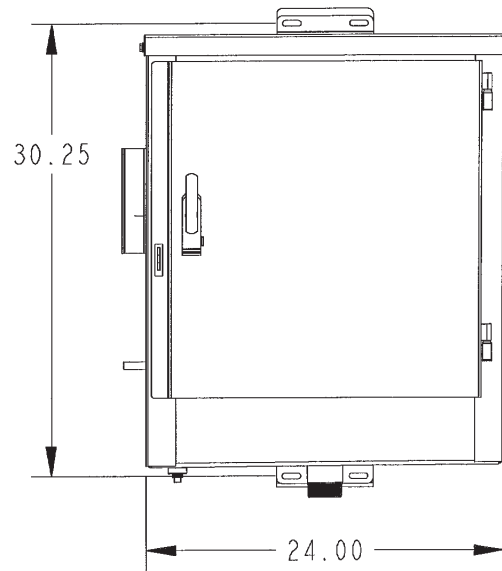
Drawings on next page.



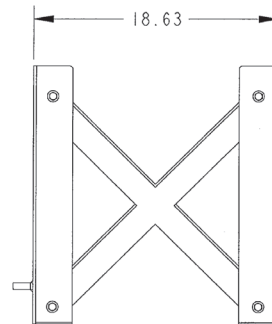
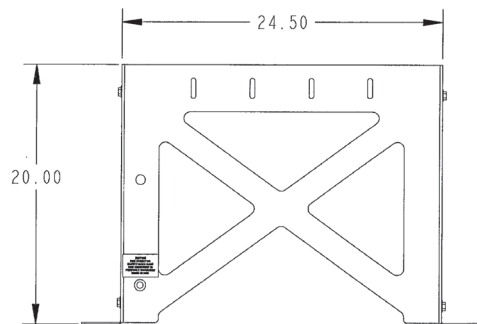
BOTTOM VIEW



LEFT VIEW



FRONT VIEW



FOUR-LEG STAND

