

**Lidec L20-70 DW - Stainless steel housing**  
**Application: cargo holds & dry compartments - water ingress**

The Lidec type L20-70 DW, is specially designed for water ingress detection and offers a dependable solution for detecting the presence of liquids within dry cargos. The Lidec L20-70 DW is based on the propagation of a surface wave. This design does not include any moving part. The reliability of the device is

ensured by a built-in function which monitors electronic or transducer failures.

The stainless steel housing can be installed directly on the deck. The Lidec L20-70 DW does not require any calibration as it is not influenced by the surrounding cargo (e.g. coal, cement, or any powdery substance).

The Lidec L20-70 DW is able to be functionally tested in-situ by using a simple magnet without opening the connecting head.

# L20-70 DW - Technical Specifications

## Technical Data

<b>Accuracy:</b>	+/- 2 mm
<b>Operating temperature:</b>	-25°C to + 60°C
<b>Cargo temperature:</b>	up to + 70°C max.
<b>Intrinsically safe:</b>	II 1 G D Ex ia IIC or IIB T6, T5, T4 Ex ia IIIC T80°C or T95°C or T120°C Da IP6X LCIE 02 ATEX 6181X and IECEx LC11.0001X
<b>Power supply:</b>	18 to 28 Vdc (24 Vdc nominal)
<b>Protection class:</b>	IP66/67 for connecting box IP68 for sensor up to 50m depth
<b>Weight:</b>	3.3 kg

## Special Features

- Materials:
  - Probe: Stainless steel 316L
  - Connecting box : Stainless steel 316L
- Horizontal or vertical mounting
- The L20-70 DW operates even with cargos that may absorb water to form a paste
- Output signal:
  - 20mA no water
  - 7mA water ingress
- Cable length: up to 30m max.
- The ON LINE TEST is done without opening Lidec with a simple magnet close to the connecting box (FC testline)
- Fully static device
- Fail-safe operation
- Insensitive to vibrations, shocks, electrical disturbances and solid cargo product
- Approved by major classification societies

## Technical Documentation

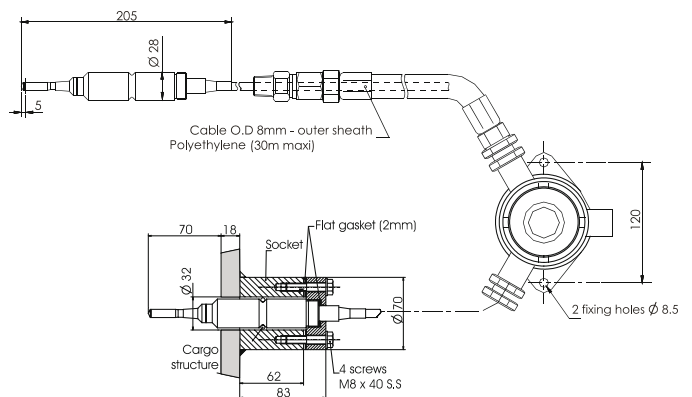
<b>Technical manual:</b>	NT406
<b>Maintenance manual:</b>	NT406

## Honeywell Marine SAS

9, rue Isaac Newton  
 ZA Port Sec Nord, Esprit 1  
 18000 Bourges – France  
 Phone : + 33 (0) 248 237 901  
 Fax : + 33 (0) 248 237 903  
 E-Mail: contact.marine@honeywell.com  
 www.honeywellmarine.com

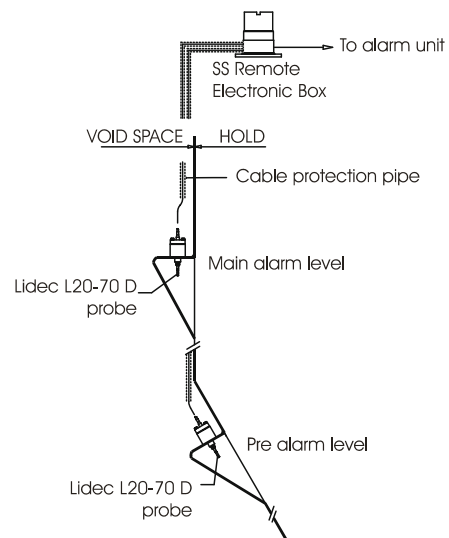
HM-11-15-ENG  
 October 2013  
 © 2013 Honeywell International Inc.

## Dimensions & Fixation

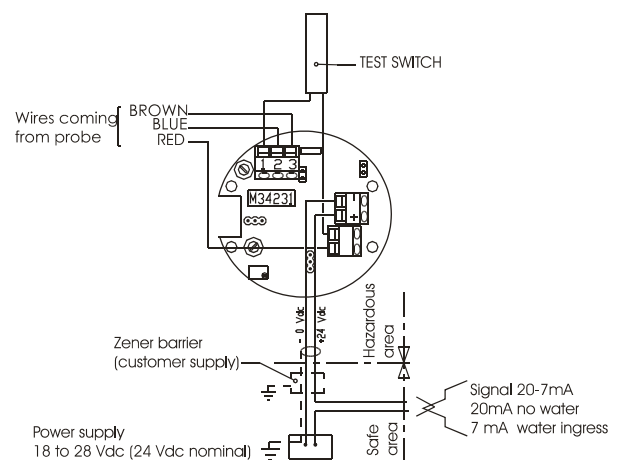


**Note:** Cable length needs to be specified  
 8 weeks before delivery

## Mechanical Connection



## Electrical Connection



**Honeywell**