



The 715F series remote fill box is a simple 7-gallon capacity cabinet that provides containment of small spills during tank filling operations. Each unit is supplied with wall mounting flanges for easy installation.

## Features

- 7-gallon (26.5 liter) capacity
- 2" and 3" male NPT threaded back connection
- Installs into a wall, flush, and out of the way
- Vented and weatherproof
- Hinged door is lockable with a padlock
- Drain located bottom front center
- Available with hand pump assembly, ball valve, quick disconnect check valve coupler/adaptor, dry disconnect adaptor, and dust cap/plug in 2" connection
- All connection assemblies are factory installed and tested prior to shipping
- Aviation and E-85 models available

## Construction Details

- Box and door are 14-gauge steel, powder coated white or 304 stainless steel
- Ball valve is Morrison 691 series brass or 691BSS series stainless steel
- Quick disconnect coupler and plug are aluminum, anodized aluminum, or stainless steel
- Quick disconnect adaptor and cap are anodized aluminum
- Dry disconnect adaptor and cap are aluminum, anodized aluminum, or stainless steel
- Hand pump is steel construction, PTFE seals with FKM o-rings, or stainless steel with PTFE and FKM

## Box dimensions

- Width = 24.26" (Flange = 30")
- Height = 32.51" (Flange = 38.50")
- Depth = 19"

## Rough opening dimensions for mounting

- Width = 24.875"
- Height = 33.375"

## Certifications & Listings

CAN-ULC-S663-11; Florida DEP EQ-787



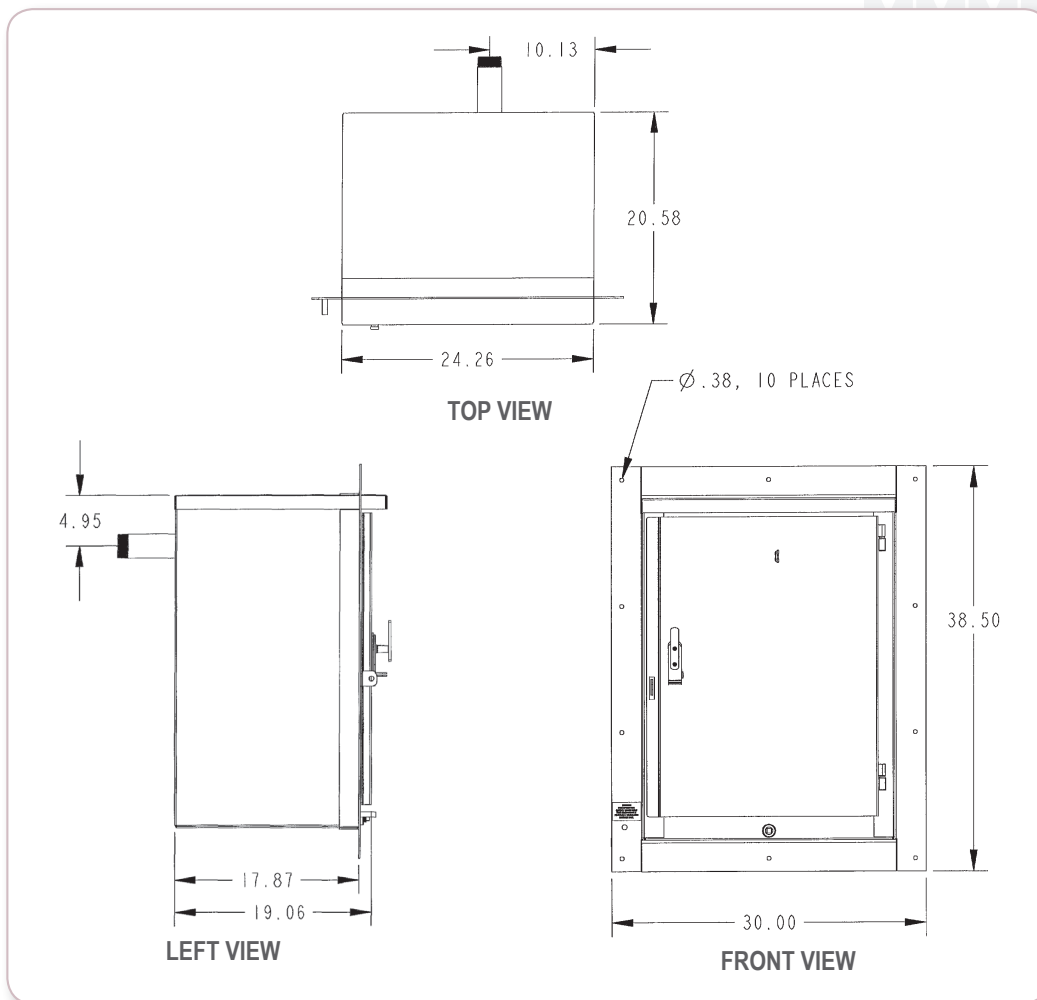


# Model 715F & 715FS Remote Fill Box - In-Wall with Back Connection

## SPECIFICATION SHEET

Item Number	Size	Description	Weight (lbs)
715F-TK2-0000-0	2"—7 gal.	In-wall, back connection w/ no internal components	120.0
715F-TK2-2QBB-0	2"—7 gal.	In-wall, back connection w/2" AL female QD coupler, BR ball valve, hand pump	162.0
715F-TK2-2MBB-0	2"—7 gal.	In-wall, back connection w/2" AL male QD adaptor, BR ball valve, hand pump	162.0
715F-TK2-2DBB-0	2"—7 gal.	In-wall, back connection w/2" AL dry disc adaptor, BR ball valve, hand pump	160.0
715F-TK2-2DS0-0	2"—7 gal.	In-wall, back connection w/2" AL dry disc adaptor, SS ball valve	N/A
715F-TK2-2DSE-0	2"—7 gal.	In-wall, back connection w/2" AL dry disc adaptor, SS ball valve, E85 hand pump	N/A
<hr/>			
715F-TK3-0000-0	3"—7 gal.	In-wall, back connection w/ no internal components	N/A
715F-TK3-3DBB-0	3"—7 gal.	In-wall, back connection w/3" AL dry disc adaptor, BR ball valve, hand pump	N/A
<hr/>			
715FS-TK2-0000	2"—7 gal.	SS in-wall, back connection w/ no internal components	120.0
715FS-TK2-2QBB	2"—7 gal.	SS in-wall, back connection w/2" AL female QD coupler, BR ball valve, hand pump	162.0
715FS-TK2-2MBB	2"—7 gal.	SS in-wall, back connection w/2" AL male QD adaptor, BR ball valve, hand pump	162.0
715FS-TK2-2DBB	2"—7 gal.	SS in-wall, back connection w/2" AL dry disc adaptor, BR ball valve, hand pump	160.0
715FS-TK2-2DS0	2"—7 gal.	SS in-wall, back connection w/2" AL dry disc adaptor, SS ball valve	N/A
715FS-TK2-2DSE	2"—7 gal.	SS in-wall, back connection w/2" AL dry disc adaptor, SS ball valve, E85 hand pump	N/A
715FS-TK2-2SS0	2"—7 gal.	SS in-wall, back connection w/2" SS female QD coupler, SS ball valve	N/A

\*Please consult Price List for additional options.



570 E. 7th Street, P.O. Box 238 | Dubuque, IA 52004-0238

t. 563.583.5701 | 800.553.4840 | f. 563.583.5028

www.morbros.com



# MORRISON BROS. CO.