

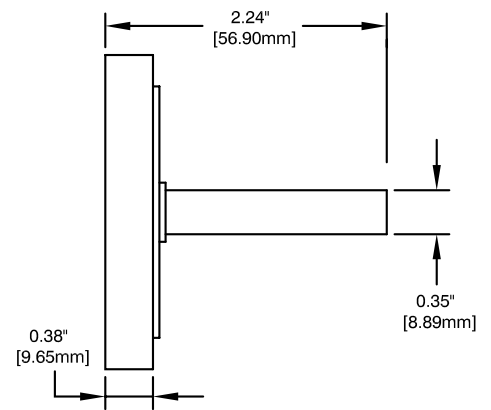
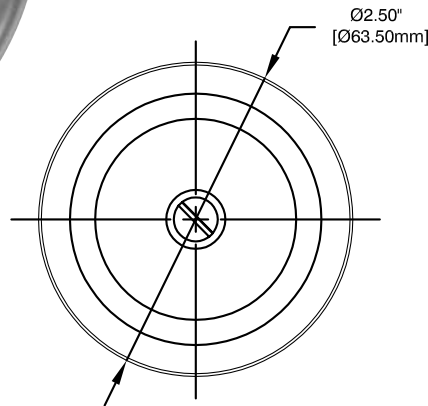
HOT WATER BIMETAL THERMOMETER MODEL B252

Illustrated model: B252



Well SW06

Well PW05



Specifications

Case:	Aluminum
Dial:	2 ½ in (63 mm) white aluminum with graduations °F in black and °C in blue
Ring:	Steel chrome plated
Lens:	Glass
Pointer:	Aluminum painted black
Movement:	Bimetallic coil
Stem:	Brass, 2 in (50 mm) center back
Well:	½ in nptm brass (PW05) or ¾ in brass sweat type (SW06) included
Ambient temperature:	-40 to 250°F / -40 to 121°C
Operating temperature:	Maximum 75 % of full scale value
Accuracy:	ASME B40.200(B40.3), Grade B ± 2 % CAN/CGSB - 14.5

Applications

A quality thermometer used in boilers, hydronic applications, HVAC and hot water systems etc.

To order, use the code in the corresponding column

Range	Connection	Product code
30 to 250°F / 0 to 120°C	With well ½ in nptm brass	B252-04PW05
30 to 250°F / 0 to 120°C	With well ¾ in sweat	B252-04SW06