

Model 715 Remote Fill Box - Back Connection

SPECIFICATION SHEET

The 715 Series remote fill box is a 10-gallon (37.85 liter) capacity cabinet that provides containment of small spills during tank filling operations.

Features

- 2" and 3" male NPT threaded or 150# raised face flange back connection
- Box is vented, weatherproof and lockable
- Bottom sloped toward drain and hand pump
- Vapor recovery mounting bracket
- Mounting brackets top and bottom
- Mating wall mount brackets included
- Quick disconnect or dry disconnect connections in 2" or 3" configurations
- All connection assemblies are factory installed and tested prior to shipping
- DEF, Aviation, and E-85 compatible models available
- Vapor recovery cap and adaptor kit available
- Post mount kits are available
- Four-leg stands are available in powder coated steel or stainless steel

Construction Details

- Box and door are 14-gauge steel, powder coated white or 304 stainless steel
- Ball valve is Morrison 691 series brass or 691BSS series stainless steel
- Quick disconnect coupler and plug are aluminum, anodized aluminum or stainless steel
- Quick disconnect adaptor and cap are anodized aluminum
- Dry disconnect adaptor with cap is aluminum, anodized aluminum or stainless steel

Vapor recovery kit

- Vapor recovery adaptor is aluminum with FKM
- Vapor recovery cap is aluminum, powder coated orange
- Hand pump is steel construction, PTFE seals with FKM o-rings or stainless steel with PTFE and FKM

Box dimensions

- Width = 24.26"
- Height = 33.07"
- Depth = 22.20" (28.20" including flange)

Certifications & Listings

CAN-ULC-S663-11; Florida DEP EQ-787



Fig. 715-TK



Fig. 715S-TK



Fig. 715-TK

Part numbers, drawings, and numbering system on next page.



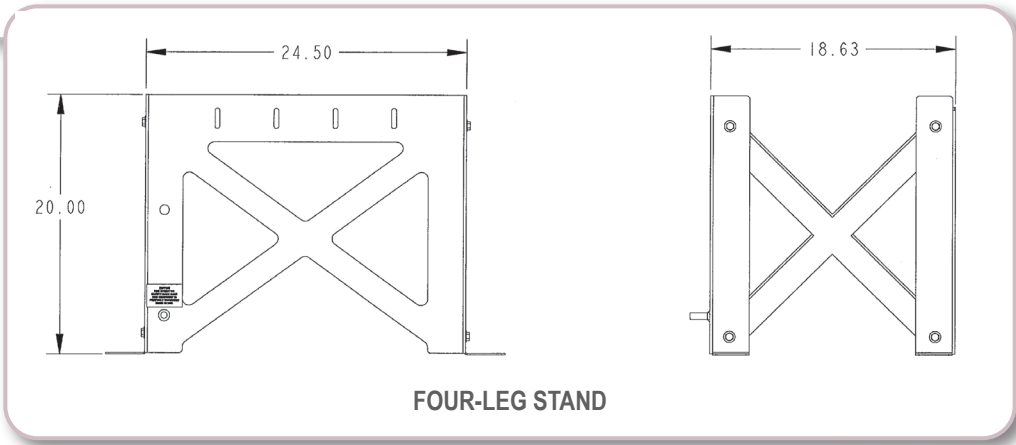
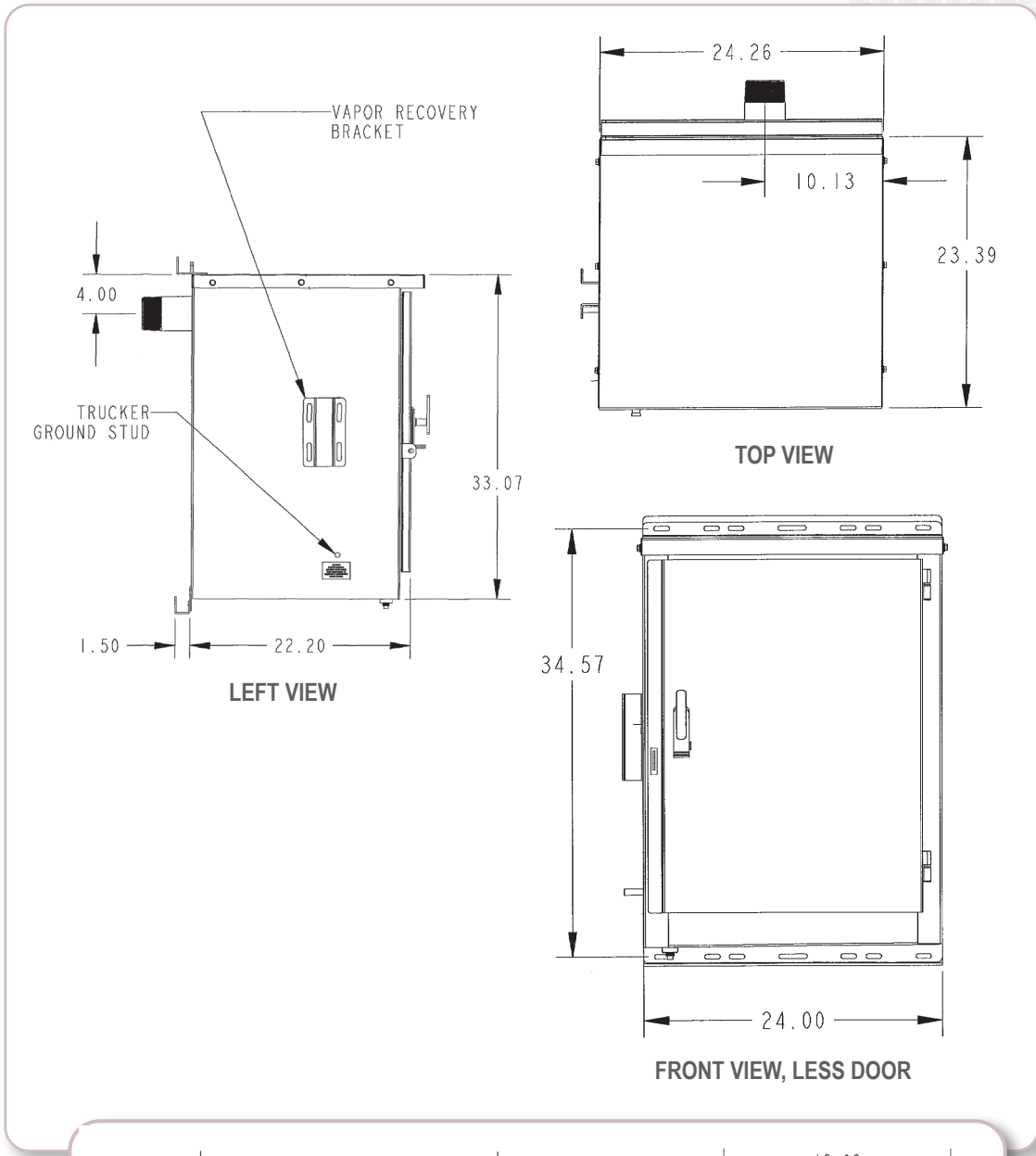
MORRISON BROS. CO.



Item Number	Size	Description	Weight (lbs)
715--TK3-0000-0	3"—10 gal.	Back connection w/ no internal components	118.0
715--TK3-000B-0	3"—10 gal.	Back connection w/ hand pump	
715--TK3-2QBB-0	3"—10 gal.	Back connection w/2" AL female QD coupler, BR ball valve, hand pump	149.0
715--TK3-2MBB-0	3"—10 gal.	Back connection w/2" AL male QD adaptor, BR ball valve, hand pump	149.0
715--TK3-3QBB-0	3"—10 gal.	Back connection w/3" AL female QD coupler, BR ball valve, hand pump	161.0
715--TK3-3MBB-0	3"—10 gal.	Back connection w/3" AL male QD adaptor, BR ball valve, hand pump	161.0
715--TK3-2DBB-0	3"—10 gal.	Back connection w/2" AL dry disc adaptor, BR ball valve, hand pump	152.0
715--TK3-3DBB-0	3"—10 gal.	Back connection w/3" AL dry disc adaptor, BR ball valve, hand pump	165.0
715--TK3-2DS0-0	3"—10 gal.	Back connection w/2" AL dry disc adaptor, SS ball valve	
715--TK3-2SSS-0	3"—10 gal.	Back connection w/2" SS female QD coupler, SS ball valve, SS hand pump	
715--TK3-3DS0-0	3"—10 gal.	Back connection w/3" AL dry disc adaptor, SS ball valve	
715--TK3-2DSE-0	3"—10 gal.	Back connection w/2" AL dry disc adaptor, SS ball valve, E85 hand pump	
715--TK3-3DSE-0	3"—10 gal.	Back connection w/3" AL dry disc adaptor, SS ball valve, E85 hand pump	
715S-TK3-2SSS-0	3"—10 gal.	SS back connection w/2" SS female QD coupler, SS ball valve, SS hand pump	114.0
715S-TK3-2ESS-0	3"—10 gal.	SS back connection w/2" SS dry disc adaptor, SS ball valve, SS hand pump	129.0
715S-TK3-3SS0-0	3"—10 gal.	SS back connection w/3" SS female QD coupler, SS ball valve	150.0
715S-TK3-3SSS-0	3"—10 gal.	SS back connection w/3" SS female QD coupler, SS ball valve, SS hand pump	120.0
715S-TK3-3MBB-0	3"—10 gal.	SS back connection w/3" AL male QD adaptor, BR ball valve, hand pump	120.0
715S-TK3-3MS0-0	3"—10 gal.	SS back connection w/3" AL male QD adaptor, SS ball valve	120.0
715--TK5-0000-0	3"—10 gal.	Flanged back connection w/ no internal components	
715---S400 AS		4 leg stand, powder coated steel	
715S--S400 AS		4 leg stand, stainless steel	
715---0373 AK		Mounting plate assembly kit	

*Please consult Price List for additional options.





715 Part Numbering System

How to “Build-a-Box”

To order, simply select desired option from each category and insert the corresponding letter or number in the appropriate space below.

Example:

715 - - **T T 3** - **2 Q B B** - **0**

<p>Model Number ———</p> <p>Fill Box Construction</p> <p>- 10 gal. powder coated steel</p> <p>S 10 gal. 304 stainless steel</p> <p>F 7 gal. powder coated in-wall mount</p> <p>FS 7 gal. 304 stainless steel in-wall mount</p> <p>Mounting Style</p> <p>T Tank/Wall</p> <p>Connection Location</p> <p>0 No outlet</p> <p>B Bottom</p> <p>F Flange</p> <p>K Back</p> <p>T Top NPT male thread</p> <p>Connection Thread Size</p> <p>0 No outlet fitting</p> <p>2 2" Male NPT nipple</p> <p>3 3" Male NPT nipple</p> <p>4 2" 150# Raised face flange</p> <p>5 3" 150# Raised face flange</p> <p>Component Size</p> <p>0 Box only</p> <p>2 2" components</p> <p>3 3" components</p>	<p>Open</p> <p>0 Box only</p> <p>Hand Pump Assembly</p> <p>0 No hand pump assembly</p> <p>B Base package*</p> <p><i>* Hand pump assembly base package: Steel constructed hand pump with PTFE seals and FKM o-rings, reinforced polyurethane tubing, brass check valve and ball valve.</i></p> <p>E E85 Package</p> <p><i>* Hand Pump Assembly E85 Package: Steel constructed hand pump with PTFE seals and FKM o-rings, reinforced polyurethane tubing, stainless steel check valve and ball valve.</i></p> <p>S Stainless Steel Package</p> <p><i>* Hand Pump Assembly Stainless Steel Package: Stainless steel constructed hand pump with PTFE seals and FKM o-rings, reinforced polyurethane tubing, stainless steel check valve and ball valve.</i></p> <p>Ball Valve</p> <p>0 Box only</p> <p>B Full port NPT ball valve with brass body, hard chrome plated ball & PTFE seals</p> <p>S Full port, locking, NPT ball valve with stainless steel body and ball, PTFE seals</p> <p>Inlet Connection</p> <p>0 Box only</p> <p>D Dry disconnect, hardcoated aluminum with stainless steel piston, FKM gaskets, and aluminum dust cap</p> <p>E Dry disconnect, stainless steel body and piston, FKM gasket, and stainless steel dust cap (only available in 2")</p> <p>Q 90° quick disconnect aluminum female coupler with brass check valve, FKM seals, and aluminum dust plug</p> <p>S 90° quick disconnect stainless steel coupler with check valve, FKM seals, and stainless steel dust plug</p> <p>M 90° quick disconnect aluminum male adaptor with stainless steel check valve, FKM seals, and aluminum dust cap</p>
---	---

Additional Options:

- 60" Post mount kit: 715---P060 AK
- Mounting Plate: 715---0373 2PPW (not compatible with in-wall models)
- Stand: 715---S400 AS (4-leg stand, powder coated steel)
- Stand: 715S--S400 AS (4-leg stand, stainless steel)
- Vapor recovery kits: 715---VR30 AK (3") and 715---VR40 AK (4")



For a complete listing of 715 item numbers, please refer to the Morrison Price List.