

94307 Horizontal End Of Line Flame Arrester

The Shand & Jurs 94307 Horizontal Flame Arrester is designed to provide a positive flame stop in gas piping systems. The 94307 not only provides exceptional protection against propagation of flame from external source, but also offers maximum flow capacity. It is specifically designed to prevent liquid accumulation in the tube bank assembly.

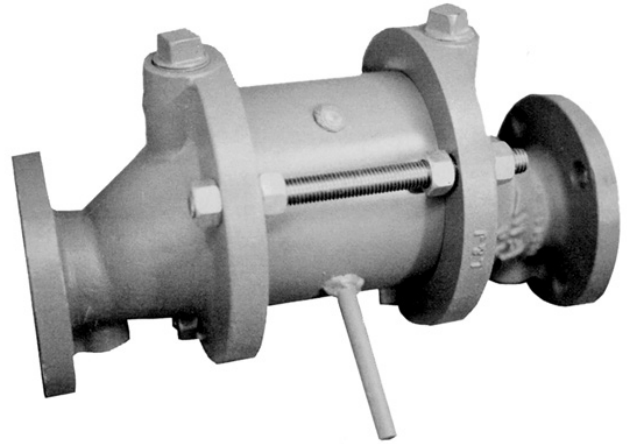
The tube bank design, consisting of a spiral wound crimped ribbon around a solid core, maximizes flow capacity with minimum pressure drop.

Standard construction includes cast aluminum, cast steel and 316 stainless steel body materials suitable for most environments. The tube bank is available in aluminum, 304 stainless steel and 316 stainless steel. The 94307 is gasketed for maximum of 10 psi static pressure standard.

Periodic inspection, maintenance and replacement of tube bank is as simple as removing tie-bolts and expanding the remaining jack screws. Once the body sections are expanded, the tube bank and shell are easily removed with the aid of a handle.

Available with flat face flanges for aluminum only or flat face raised or face flanges for cast steel, cast iron, ductile iron and stainless steel to match ANSI, EN1092-1, or JIS 10K connections.

For in-line deflagration arrester, see the Shand & Jurs 94407.



Features

- Unitized tube bank design
- Maximum protection and efficiency with minimum pressure drop
- Wide range of standard construction materials
- Easy inspection and maintenance, due to simple removal of tube bank
- Complete range of sizes from 2" through 12"
- NEC Group D gas applications
- Location within 10 pipe diameters of potential atmospheric ignition source

Specifications

Sizes:

2", 3", 4", 6", 8", 10" and 12"

Max. Static Pressure:

24.7 PSIA (10 PSIG)

Max. Pressure Operating:

15.7 PSIA (1.0 PSIG)

Flange Rating:

To match drilling of ANSI 125/150 lb. flat face or 150 lb. raised face (cast aluminum body option available with flat face only). EN1092-1 and JIS 10K options.

Gas Application:

NEC Group D Gas

Materials of Construction

Body:

Cast Steel, Cast Iron, Cast Aluminum, or 316 Stainless Steel

Hardware:

18-8 Stainless Steel (Standard) or 316 Stainless Steel

Tube Bank:

Aluminum, 304 or 316 Stainless Steel

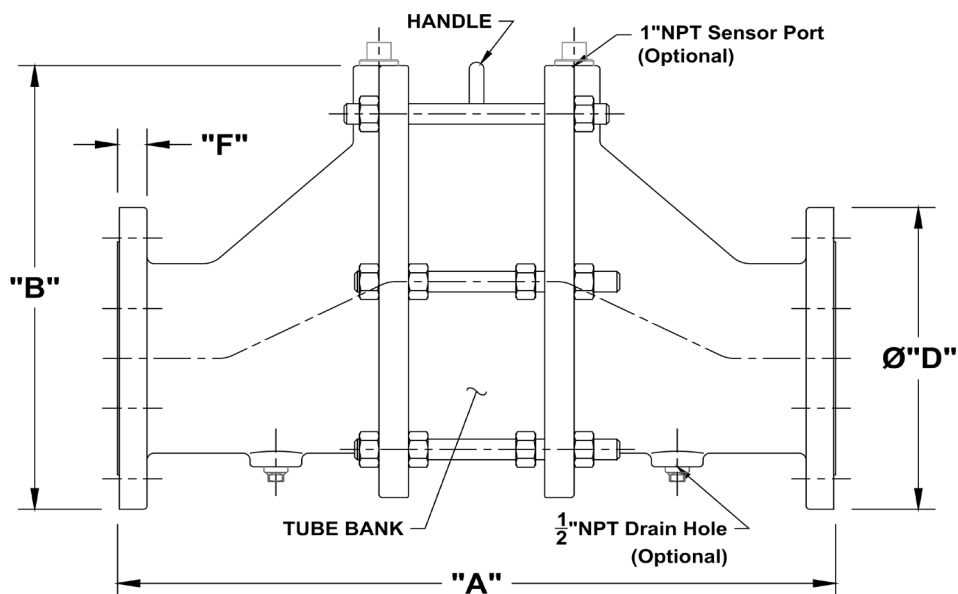
Gaskets:

Synthetic Composition

Outline Dimensions

| Dimensions in Inches | | | | |
|----------------------|--------|---------|--------------|--------|
| Vent Size | "A" | "B" | Diameter "D" | "F" |
| 2" | 14 1/2 | 8 5/32 | 6 | 5/8 |
| 3" | 16 | 10 1/16 | 7 1/2 | 3/4 |
| 4" | 20 | 12 3/16 | 9 | 15/16 |
| 6" | 24 3/8 | 16 1/64 | 11 | 1 |
| 8" | 32 1/8 | 20 7/8 | 13 1/2 | 1 1/8 |
| 10" | 33 3/8 | 24 3/4 | 16 | 1 3/16 |
| 12" | 34 3/8 | 29 5/16 | 19 | 1 1/4 |

Installation Note: Locate flame arrester within 10 pipe diameters of potential atmospheric ignition source.



All designs subject to change. Certified dimensions and specifications available upon request.

94307 Ordering Guide

Model Number Selection

The model number will consist of a base number **94307** followed by 6 digit numbers. These digits will represent 2 option tables.

94307 - AB - CD - EF

Ordering Information

Specify:

1. Model 94307 Horizontal Flame Arrester
2. Size and Body Material

3. Tube Bank and Shell Material
4. Type of Flange Option
5. Special Materials or Coatings, If Required

Table AB - Size and Body

Table CD - Tube Bank and Shell

| Option AB | Size (Inches) | Body Material | Option CD* | Tube Bank Material | Shell Material |
|-----------|---------------|---------------|------------|---------------------|---------------------|
| 12 | 2 | Cast Aluminum | 11 (12) | Aluminum | Aluminum |
| 12 | 2 | Cast Aluminum | 66 (67) | 304 Stainless Steel | Carbon Steel |
| 12 | 2 | Cast Aluminum | 22 (23) | 316 Stainless Steel | 316 Stainless Steel |
| 12 | 2 | Cast Aluminum | 44 (45) | 304 Stainless Steel | 304 Stainless Steel |
| 14 | 3 | Cast Aluminum | 11 (12) | Aluminum | Aluminum |
| 14 | 3 | Cast Aluminum | 66 (67) | 304 Stainless Steel | Carbon Steel |
| 14 | 3 | Cast Aluminum | 22 (23) | 316 Stainless Steel | 316 Stainless Steel |
| 14 | 3 | Cast Aluminum | 44 (45) | 304 Stainless Steel | 304 Stainless Steel |
| 15 | 4 | Cast Aluminum | 11 (12) | Aluminum | Aluminum |
| 15 | 4 | Cast Aluminum | 66 (67) | 304 Stainless Steel | Carbon Steel |
| 15 | 4 | Cast Aluminum | 22 (23) | 316 Stainless Steel | 316 Stainless Steel |
| 15 | 4 | Cast Aluminum | 44 (45) | 304 Stainless Steel | 304 Stainless Steel |
| 16 | 6 | Cast Aluminum | 11 (12) | Aluminum | Aluminum |
| 16 | 6 | Cast Aluminum | 66 (67) | 304 Stainless Steel | Carbon Steel |
| 16 | 6 | Cast Aluminum | 22 (23) | 316 Stainless Steel | 316 Stainless Steel |
| 16 | 6 | Cast Aluminum | 44 (45) | 304 Stainless Steel | 304 Stainless Steel |
| 17 | 8 | Cast Aluminum | 11 (12) | Aluminum | Aluminum |
| 17 | 8 | Cast Aluminum | 66 (67) | 304 Stainless Steel | Carbon Steel |
| 17 | 8 | Cast Aluminum | 22 (23) | 316 Stainless Steel | 316 Stainless Steel |
| 17 | 8 | Cast Aluminum | 44 (45) | 304 Stainless Steel | 304 Stainless Steel |
| 18 | 10 | Cast Aluminum | 11 (12) | Aluminum | Aluminum |
| 18 | 10 | Cast Aluminum | 66 (67) | 304 Stainless Steel | Carbon Steel |
| 18 | 10 | Cast Aluminum | 22 (23) | 316 Stainless Steel | 316 Stainless Steel |
| 18 | 10 | Cast Aluminum | 44 (45) | 304 Stainless Steel | 304 Stainless Steel |
| 19 | 12 | Cast Aluminum | 11 (12) | Aluminum | Aluminum |
| 19 | 12 | Cast Aluminum | 66 (67) | 304 Stainless Steel | Carbon Steel |
| 19 | 12 | Cast Aluminum | 22 (23) | 316 Stainless Steel | 316 Stainless Steel |
| 19 | 12 | Cast Aluminum | 44 (45) | 304 Stainless Steel | 304 Stainless Steel |
| 32 | 2 | Cast Iron | 66 (67) | 304 Stainless Steel | Carbon Steel |
| 32 | 2 | Cast Iron | 22 (23) | 316 Stainless Steel | 316 Stainless Steel |
| 32 | 2 | Cast Iron | 44 (45) | 304 Stainless Steel | 304 Stainless Steel |
| 52 | 2 | Cast Steel | 66 (67) | 304 Stainless Steel | Carbon Steel |

HARDWARE: 18-8 SS Standard; Use CD (XX) option for 316 SS; 316 SS Standard for 316 SS Body

94307**Horizontal Flame Arrester****Table AB - Size and Body****Table CD - Tube Bank and Shell**

| Option AB | Size (Inches) | Body Material | Option CD* | Tube Bank Material | Shell Material |
|-----------|---------------|--------------------------|------------|---------------------|---------------------|
| 52 | 2 | Cast Steel | 22 (23) | 316 Stainless Steel | 316 Stainless Steel |
| 52 | 2 | Cast Steel | 44 (45) | 304 Stainless Steel | 304 Stainless Steel |
| 42 | 2 | Cast 316 Stainless Steel | 22 | 316 Stainless Steel | 316 Stainless Steel |
| 34 | 3 | Cast Iron | 66 (67) | 304 Stainless Steel | Carbon Steel |
| 34 | 3 | Cast Iron | 22 (23) | 316 Stainless Steel | 316 Stainless Steel |
| 34 | 3 | Cast Iron | 44 (45) | 304 Stainless Steel | 304 Stainless Steel |
| 54 | 3 | Cast Steel | 66 (67) | 304 Stainless Steel | Carbon Steel |
| 54 | 3 | Cast Steel | 22 (23) | 316 Stainless Steel | 316 Stainless Steel |
| 54 | 3 | Cast Steel | 44 (45) | 304 Stainless Steel | 304 Stainless Steel |
| 44 | 3 | Cast 316 Stainless Steel | 22 | 316 Stainless Steel | 316 Stainless Steel |
| 35 | 4 | Cast Iron | 66 (67) | 304 Stainless Steel | Carbon Steel |
| 35 | 4 | Cast Iron | 22 (23) | 316 Stainless Steel | 316 Stainless Steel |
| 35 | 4 | Cast Iron | 44 (45) | 304 Stainless Steel | 304 Stainless Steel |
| 55 | 4 | Cast Steel | 66 (67) | 304 Stainless Steel | Carbon Steel |
| 55 | 4 | Cast Steel | 22 (23) | 316 Stainless Steel | 316 Stainless Steel |
| 55 | 4 | Cast Steel | 44 (45) | 304 Stainless Steel | 304 Stainless Steel |
| 45 | 4 | Cast 316 Stainless Steel | 22 | 316 Stainless Steel | 316 Stainless Steel |
| 36 | 6 | Cast Iron | 66 (67) | 304 Stainless Steel | Carbon Steel |
| 36 | 6 | Cast Iron | 22 (23) | 316 Stainless Steel | 316 Stainless Steel |
| 36 | 6 | Cast Iron | 44 (45) | 304 Stainless Steel | 304 Stainless Steel |
| 56 | 6 | Cast Steel | 66 (67) | 304 Stainless Steel | Carbon Steel |
| 56 | 6 | Cast Steel | 22 (23) | 316 Stainless Steel | 316 Stainless Steel |
| 56 | 6 | Cast Steel | 44 (45) | 304 Stainless Steel | 304 Stainless Steel |
| 46 | 6 | Cast 316 Stainless Steel | 22 | 316 Stainless Steel | 316 Stainless Steel |
| 37 | 8 | Cast Iron | 66 (67) | 304 Stainless Steel | Carbon Steel |
| 37 | 8 | Cast Iron | 22 (23) | 316 Stainless Steel | 316 Stainless Steel |
| 37 | 8 | Cast Iron | 44 (45) | 304 Stainless Steel | 304 Stainless Steel |
| 57 | 8 | Cast Steel | 66 (67) | 304 Stainless Steel | Carbon Steel |
| 57 | 8 | Cast Steel | 22 (23) | 316 Stainless Steel | 316 Stainless Steel |
| 57 | 8 | Cast Steel | 44 (45) | 304 Stainless Steel | 304 Stainless Steel |
| 47 | 8 | Cast 316 Stainless Steel | 22 | 316 Stainless Steel | 316 Stainless Steel |
| 38 | 10 | Cast Iron | 66 (67) | 304 Stainless Steel | Carbon Steel |
| 38 | 10 | Cast Iron | 22 (23) | 316 Stainless Steel | 316 Stainless Steel |
| 38 | 10 | Cast Iron | 44 (45) | 304 Stainless Steel | 304 Stainless Steel |
| 58 | 10 | Cast Steel | 66 (67) | 304 Stainless Steel | Carbon Steel |
| 58 | 10 | Cast Steel | 22 (23) | 316 Stainless Steel | 316 Stainless Steel |
| 58 | 10 | Cast Steel | 44 (45) | 304 Stainless Steel | 304 Stainless Steel |
| 48 | 10 | Cast 316 Stainless Steel | 22 | 316 Stainless Steel | 316 Stainless Steel |
| 39 | 12 | Cast Iron | 66 (67) | 304 Stainless Steel | Carbon Steel |
| 39 | 12 | Cast Iron | 22 (23) | 316 Stainless Steel | 316 Stainless Steel |
| 39 | 12 | Cast Iron | 44 (45) | 304 Stainless Steel | 304 Stainless Steel |
| 59 | 12 | Cast Steel | 66 (67) | 304 Stainless Steel | Carbon Steel |
| 59 | 12 | Cast Steel | 22 (23) | 316 Stainless Steel | 316 Stainless Steel |
| 59 | 12 | Cast Steel | 44 (45) | 304 Stainless Steel | 304 Stainless Steel |
| 49 | 12 | Cast 316 Stainless Steel | 22 | 316 Stainless Steel | 316 Stainless Steel |

HARDWARE: 18-8 SS Standard; Use CD (XX) option for 316 SS; 316 SS Standard for 316 SS Body

5911 Butterfield Road Hillside, IL 60162 • tel: (708) 236-6000 • fax: (708) 236-6006
sales@ljtechnologies.com • www.ljtechnologies.com • ISO 9001:2015 Certified

Rev: 94307-3I

Table EF - Flange Type and Drain Plugs

| Flange Style | No Drain Plugs Option EF | With Drain Plugs Option EF |
|---------------------|-----------------------------|-------------------------------|
| ANSI 125/150lb. FF | 77 | 71 |
| ANSI 125/150lb. RF* | 87 | 81 |
| EN1092-1 PN16 FF | 27 | 21 |
| EN1092-1 PN16 RF* | 37 | 31 |
| JIS 10K FF | 47 | 41 |
| JIS 10K RF* | 57 | 51 |

Note: Raised faced flanges with smooth finish are standard.
For optional serrated raised faced flanges, consult factory.

*Raised Face Flanges not available with Aluminum bodies.

Tube Banks Only

| Parts Number | Size (Inches) | Tube Bank Material | Shell Material | Shipping Weight (lbs.) |
|--------------|---------------|---------------------|---------------------|------------------------|
| 9430-10150 | 2 | Aluminum | Aluminum | 9 |
| 091211 | 2 | 304 Stainless Steel | Carbon Steel | 22 |
| 9430-11120 | 2 | 304 Stainless Steel | 304 Stainless Steel | 25 |
| 9430-11110 | 2 | 316 Stainless Steel | 316 Stainless Steel | 25 |
| 9430-10151 | 3 | Aluminum | Aluminum | 14 |
| 091212 | 3 | 304 Stainless Steel | Carbon Steel | 30 |
| 9430-11121 | 3 | 304 Stainless Steel | 304 Stainless Steel | 35 |
| 9430-11111 | 3 | 316 Stainless Steel | 316 Stainless Steel | 35 |
| 9430-10152 | 4 | Aluminum | Aluminum | 20 |
| 091213 | 4 | 304 Stainless Steel | Carbon Steel | 55 |
| 9430-11122 | 4 | 304 Stainless Steel | 304 Stainless Steel | 60 |
| 9430-11112 | 4 | 316 Stainless Steel | 316 Stainless Steel | 60 |
| 9430-10153 | 6 | Aluminum | Aluminum | 35 |
| 9430-11070 | 6 | 304 Stainless Steel | Carbon Steel | 90 |
| 9430-11123 | 6 | 304 Stainless Steel | 304 Stainless Steel | 100 |
| 9430-11113 | 6 | 316 Stainless Steel | 316 Stainless Steel | 100 |
| 9430-10154 | 8 | Aluminum | Aluminum | 55 |
| 9430-11071 | 8 | 304 Stainless Steel | Carbon Steel | 145 |
| 9430-11124 | 8 | 304 Stainless Steel | 304 Stainless Steel | 160 |
| 9430-11114 | 8 | 316 Stainless Steel | 316 Stainless Steel | 160 |
| 9430-10155 | 10 | Aluminum | Aluminum | 85 |
| 9430-11072 | 10 | 304 Stainless Steel | Carbon Steel | 225 |
| 9430-11125 | 10 | 304 Stainless Steel | 304 Stainless Steel | 240 |
| 9430-11115 | 10 | 316 Stainless Steel | 316 Stainless Steel | 240 |
| 9430-10156 | 12 | Aluminum | Aluminum | 120 |
| 9430-11073 | 12 | 304 Stainless Steel | Carbon Steel | 310 |
| 9430-11126 | 12 | 304 Stainless Steel | 304 Stainless Steel | 320 |
| 9430-11116 | 12 | 316 Stainless Steel | 316 Stainless Steel | 320 |

L&J Technologies or any of its subsidiaries assume no responsibility and shall not be liable for any damage, injury or death caused by the mis-application or improper installation of the products that it provides. Installation shall be per manufacturer's instructions in accordance to any applicable local, state or federal regulations. It is the responsibility of the purchaser to ensure these guidelines are followed and that the products are applied properly.