

STR700 SmartLine Remote Diaphragm Seals Specification 34-ST-03-104, November 2018



Introduction

Part of the SmartLine® family of products, the STR700 is suitable for monitoring, control and data acquisition. STR700 products feature piezoresistive sensor technology combining pressure sensing with on chip temperature compensation capabilities providing high accuracy, stability and performance over a wide range of application pressures and temperatures. The SmartLine family is also fully tested and compliant with Experion® PKS providing the highest level of compatibility assurance and integration capabilities. SmartLine easily meets the most demanding application needs for pressure measurement applications



Best in Class Transmitter Features:

- Accuracies up to 0.075% Span standard
- Automatic static pressure & temperature compensation
- Rangeability up to 100:1
- Local display capabilities
- External zero, span, & configuration capability
- Polarity insensitive electrical connections
- Comprehensive on-board diagnostic capabilities
- Integral Dual Seal design for highest safety based on ANSI/NFPA 70-202 and ANSI/ISA 12.27.0
- World class overpressure protection
- Full compliance to SIL 2/3 requirements.
- Modular design characteristics

Figure 1 – STR700 Remote Diaphragm Seal Unit

Typical Diaphragm Seal applications

- High Process Temperatures
- Viscous or Suspended Solids
- Highly Corrosive Process Materials
- Sanitary Applications
- Applications with Hydrogen Permeation Possibilities
- Level Applications with Maintenance Intensive Wet Legs
- Applications requiring remote Transmitter Mounting
- Tank Applications with Density or Interface Measurements

Remote Seal/Transmitter Span & Range Limits:

Model	URL psid (bar)	LRL psid (bar)	Max Span psid (bar)	Min Span psid (bar)
STR73D	100 (7.0)	-100 (-7.0)	100 (7.0)	0.9 (0.062)
Model	psig (bar)	psig (bar)	psig (bar)	psig (bar)
STR74G	500 (35.0)	-14.7 (-1.0)	500 (35.0)	5 (0.35)

Communications/Output Options:

- Honeywell Digitally Enhanced (DE)
- HART® (version 7.0)
- FOUNDATION™ Fieldbus

All transmitters are available with the above listed communications protocols.

Description

The SmartLine family pressure transmitters are designed around a high performance piezo-resistive sensor. This one sensor actually integrates multiple sensors linking process pressure measurement with on-board static pressure (DP Models) and temperature compensation measurements. This level of performance allows the ST 700 to replace most competitive transmitters available today.

Indication/Display Option

The ST 700 modular design accommodates a basic alphanumeric LCD display.

Basic Alphanumeric LCD Display Features

- Modular (may be added or removed in the field)
- 0, 90,180, & 270 degree position adjustments
- Configurable (HART only) and standard (Pa, KPa, MPa, KGcm2, Torr, ATM, inH₂O, mH₂O, bar, mbar, inH₂O, inHG, FTH₂O, mmH₂O, mm HG, & psi) measurement units
- 2 Lines 16 Characters (4.13H x 1.83W mm)
- Square root output indication (√)

Simple LCD Display Features

- Modular (may be added or removed in the field)
- Supports HART protocol variant
- 0, 90,180, & 270 degree position adjustments
- Configurable (HART only) and standard (Pa, KPa, MPa, KGcm2, Torr, ATM, inH₂O, mH₂O, bar, mbar, inH₂O, inHG, FTH₂O, mmH₂O, mm HG, & psi) measurement units.
- Supports Flow engineering units
- 2 Lines 6 digits PV (9.95H x 4.20W mm) 8 Characters
- Square root output indication (√) and Write protect Indication
- Built in Basic Device Configuration through Internal Buttons – Range/Engineering Unit/Loop Test /Loop Calibration/Zero /Span Setting

Diagnostics

SmartLine transmitters all offer digitally accessible diagnostics which aid in providing advanced warning of possible failure events minimizing unplanned shutdowns, providing **lower overall operational costs**

System Integration

- SmartLine communications protocols all meet the most current published standards for HART/DE/Fieldbus.
- Integration with Honeywell's Experion PKS offers the following unique advantages.
 - Tamper reporting
 - FDM Plant Area Views with Health summaries
 - All ST 700 units are Experion tested to provide the highest level of compatibility assurance

Configuration Tools

External Three Button Configuration Option

Suitable for all electrical and environmental requirements, SmartLine offers the ability to configure the transmitter and display via three externally accessible buttons when a display option is selected. Zero/span capabilities are also optionally available via these buttons with or without selection of the display option.

Internal Two Button Configuration Option

The Simple display has two buttons that can be used for Basic configuration such as re ranging, PV Engineering unit setting, Zero/Span settings and Loop testing and calibration functions.

Hand Held Configuration

SmartLine transmitters feature two-way communication and configuration capability between the operator and the transmitter. This is accomplished via Honeywell's field-rated Multiple Communication Configurator (MCT404). The MCT404 is capable of field configuring DE and HART Devices and can also be ordered for use in intrinsically safe environments. All Honeywell transmitters are designed and tested for compliance with the offered communication protocols and are designed to operate with any properly validated hand held configuration device.

Personal Computer Configuration

Honeywell's SCT 3000 Configuration Toolkit provides an easy way to configure Digitally Enhanced (DE) instruments using a personal computer as the configuration interface. Field Device Manager (FDM) Software and FDM Express are also available for managing HART & Fieldbus device configurations.

Modular Design

To help contain maintenance & inventory costs, all ST 700 transmitters are modular in design supporting the user's ability to replace meter bodies, add indicators or change electronic modules without affecting overall performance or approval body certifications. Each meter body is uniquely characterized to provide in-tolerance performance over a wide range of application variations in temperature and pressure and due to the Honeywell advanced interface, electronic modules may be swapped with any electronics module without losing in-tolerance performance characteristics.

Modular Features

- Meter body replacement
- Exchange/replace electronics/comms modules*
- Add or remove integral indicator*
- Add or remove lightning protection (terminal connection)*

* Field replaceable in all electrical environments (including IS) except flameproof without violating agency approvals.

With no performance effects, Honeywell's unique modularity results in **lower inventory needs and lower overall operating costs**.

Performance Specifications

Reference Accuracy (conformance to +/-3 Sigma)

Model	URL	LRL	Min Span	Maximum Turndown Ratio	Reference Accuracy ^{1,2} (% Span)
STR73D	100 psid/7.0 bar	-100 psi/-7.0bar	0.9 psi/.062bar	100:1	0.075
STR74G	500 psi/35 bar	-14.7 psi/-1.0 bar	5 psi/.035 bar	100:1	0.075

Zero and span may be set anywhere within the listed (URL/LRL) range limits

Model	URL	Accuracy ^{1,2} (% of Span)			Temperature Effect ³ (% Span/50°F)			
		Turn down greater than	A	B	C psi(bar)	D	E	F psi(bar)
STR73D	100 psi/7.0 bar	27.7:1	0.0250	0.050	3.61 (0.249)	0.275	1.200	7.2 (0.50)
STR74G	500 psig/35 bar	25:1	0.0250	0.050	20 (1.4)			
Turn Down Effect $\pm \left[A + B \left(\frac{C}{\text{Span}} \right) \right]$ % Span					Temp Effect $\pm \left[D + E \left(\frac{F}{\text{Span}} \right) \right]$ % Span per 28°C (50°F)			

Accuracy at Specified Span, Temperature and Static Pressure: (conformance to +/-3 Sigma)

Total Performance (% of Span):

$$\text{Total Performance} = \pm \sqrt{(\text{Accuracy})^2 + (\text{Temp Effect})^2}$$

Total Performance Examples: (5:1 Turndown, up to 50 °F shift)

STR73D @ 20 psid: 1.03% of span

Typical Calibration Frequency:

Calibration verification is recommended every four (4) years

Notes:

1. Terminal Based Accuracy – Includes combined effects of linearity, hysteresis, and repeatability. Analog output adds 0.005% of span.
2. For zero based spans and reference conditions of 25°C (77°F), 0 psi static pressure for DP, >= 0 psia for GP, 10 to 55% R.H, and 316Stainless Steel barrier diaphragms
3. Specification applies to transmitter with 2 balanced remote seals. Apply a factor of 1.5 for temperature effect of capillary lengths greater than 10 feet.

Operating Conditions – All Models

Parameter	Reference Condition (at zero static)		Rated Condition		Operative Limits		Transportation and Storage										
	°C	°F	°C	°F	°C	°F	°C	°F									
Ambient Temperature ¹	25±1	77±2	-	-	-	-	-55 to 90	-67 to 194									
Humidity %RH	10 to 55		0 to 100		0 to 100		0 to 100										
Vacuum Region, Minimum Pressure mmHg absolute	Atmospheric (See Figure 4 for vacuum limitation)																
Supply Voltage, Current, and Load Resistance	10.8 to 42.4 Vdc at terminals (IS versions limited to 30 Vdc) 0 to 1,440 ohms (as shown in Figure 2)																
Maximum Allowable Working Pressure (MAWP) ⁴ (ST 700 products are rated to Maximum Allowable Working Pressure. MAWP depends on Approval Agency and transmitter materials of construction.)	MAWP is minimum of Body Rating or Seal Rating (See Model Selection Guide for Seal MAWP) <table border="0"> <tr> <td>Body</td> <td>MAWP</td> <td></td> </tr> <tr> <td>STR73D</td> <td>750 psig (51.7 bar)</td> <td>Bolted Process Heads</td> </tr> <tr> <td>STR74G</td> <td>500 psig (35 bar)</td> <td></td> </tr> </table>								Body	MAWP		STR73D	750 psig (51.7 bar)	Bolted Process Heads	STR74G	500 psig (35 bar)	
Body	MAWP																
STR73D	750 psig (51.7 bar)	Bolted Process Heads															
STR74G	500 psig (35 bar)																

- ¹ Ambient Temperature Limit is a function of Process Interface Temperature. (See Figures 3 & 4)
LCD Display operating temperature -20°C to +70°C . Storage temperature -30°C to 80°C
- ⁴ Consult factory for MAWP of ST 700 transmitters with CRN approval.

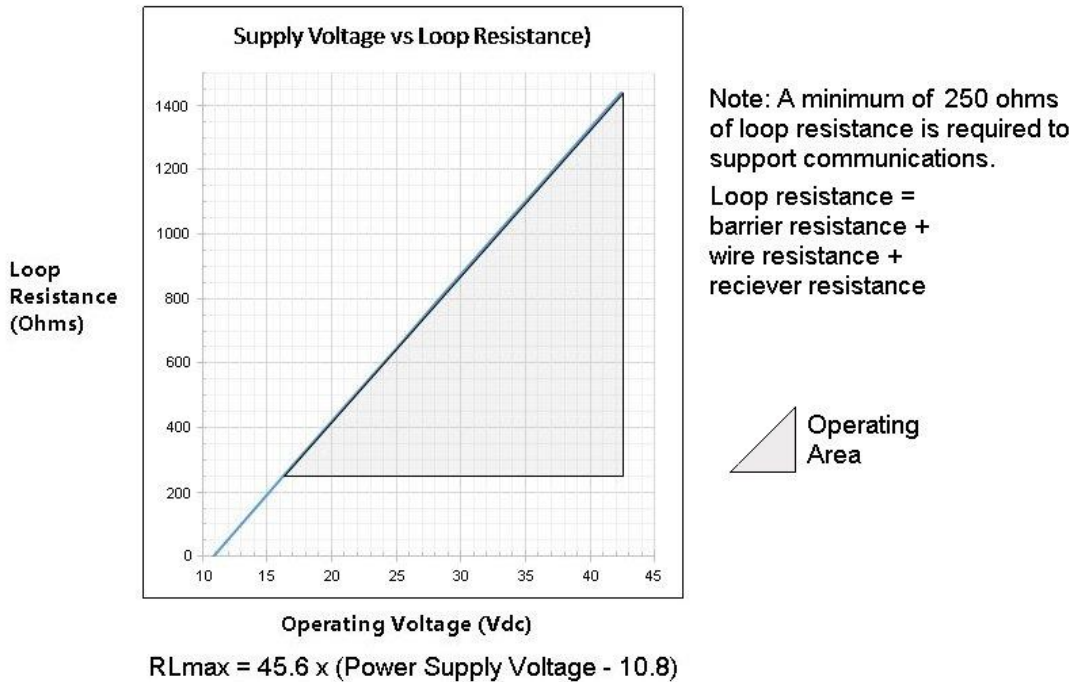


Figure 2- Supply voltage and loop resistance

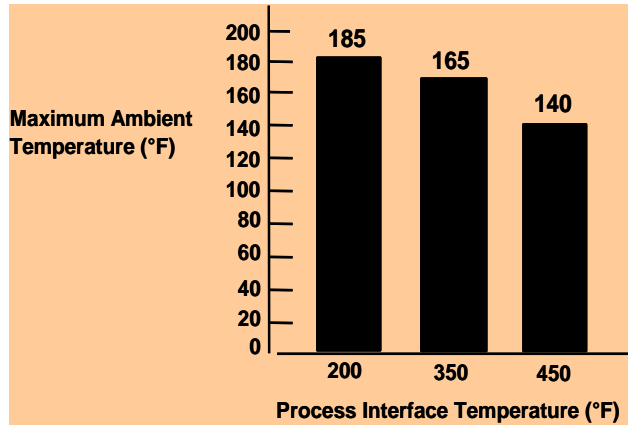


Figure 3- Ambient temperature Limits

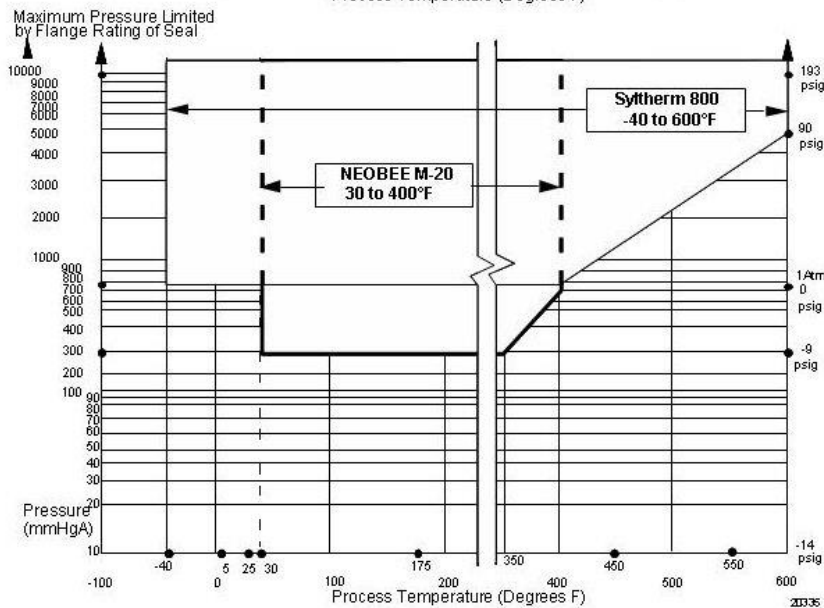
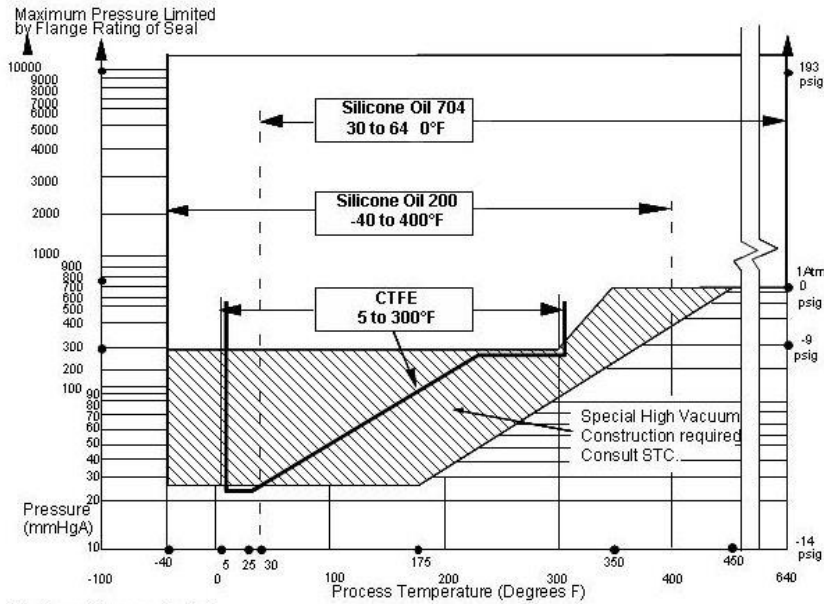


Figure 4 - STR700 Remote Seals operable limits for pressure vs. temperature

Performance Under Rated Conditions – All Models

Parameter	Description									
Analog Output Digital Communications:	Two-wire, 4 to 20 mA (HART & DE Transmitters only) Honeywell DE, HART 7 protocol or FOUNDATION Fieldbus ITK 6.0.1 compliant All transmitters, irrespective of protocol have polarity insensitive connection.									
HART & DE Output Failure Modes (NAMUR for DE Units requires selecting display and configuration buttons or factory configuration)	<table> <thead> <tr> <th></th> <th>Honeywell Standard:</th> <th>NAMUR NE 43 Compliance:</th> </tr> </thead> <tbody> <tr> <td>Normal Limits:</td> <td>3.8 – 20.8 mA</td> <td>3.8 – 20.5 mA</td> </tr> <tr> <td>Failure Mode:</td> <td>≤ 3.6 mA and ≥ 21.0 mA</td> <td>≤ 3.6 mA and ≥ 21.0 mA</td> </tr> </tbody> </table>		Honeywell Standard:	NAMUR NE 43 Compliance:	Normal Limits:	3.8 – 20.8 mA	3.8 – 20.5 mA	Failure Mode:	≤ 3.6 mA and ≥ 21.0 mA	≤ 3.6 mA and ≥ 21.0 mA
	Honeywell Standard:	NAMUR NE 43 Compliance:								
Normal Limits:	3.8 – 20.8 mA	3.8 – 20.5 mA								
Failure Mode:	≤ 3.6 mA and ≥ 21.0 mA	≤ 3.6 mA and ≥ 21.0 mA								
Supply Voltage Effect	0.005% span per volt.									
Transmitter Turn on Time (includes power up & test algorithms)	HART or DE: 2.5 sec. Foundation Fieldbus: Host dependant									
Damping Time Constant	HART: Adjustable from 0 to 32 seconds in 0.1 increments. Default: 0.50 seconds DE: Discrete values 0, .16, .32, .48, 1, 2, 4, 8, 16, 32 seconds. Default: 0.48 seconds									
Electromagnetic Compatibility	IEC 61326-3-1									
Lightning Protection Option	Leakage Current: 10uA max @ 42.4VDC 93C Impulse rating: 8/20uS 5000A (>10 strikes) 10000A (1 strike min.) 10/1000uS 200A (> 300 strikes)									

Materials Specifications (see model selection guide for availability/restrictions with various models)

Parameter	Description
Process Interface	See Model Selection Guide for Material Options for desired seal type.
Seal Barrier Diaphragm	316L Stainless Steel, Monel [®] , Hastelloy [®] C, Tantalum
Seal Gasket Materials	Klinger C-4401 (non-asbestos) Grafoil [®] , Teflon [®] , Gylon 3510 [®]
Mounting Bracket	Carbon Steel (Zinc-Chromate plated) or 304 Stainless Steel or 316 Stainless Steel.
Fill Fluid (Meter Body)	Silicone 200 S.G. @ 25°C = 0.94
	CTFE (Chlorotrifluoroethylene) S.G. @ 25°C = 1.89
	Silicone 704 S.G. @ 25°C = 1.07
	NEOBEE M-20 [®] S.G. @ 25°C = 0.93
Fill Fluid (Secondary)	Silicone 200 S.G. @ 25°C = 0.94
	CTFE (Chlorotrifluoroethylene) S.G. @ 25°C = 1.89
	Silicone 704 S.G. @ 25°C = 1.07
	Syltherm 800 [®] S.G. @ 25°C = 0.90
	NEOBEE M-20 [®] S.G. @ 25°C = 0.93
Electronic Housing	Pure Polyester Powder Coated Low Copper (<0.4%)-Aluminum. Meets NEMA 4X, IP66, & P67. All stainless steel housing is optional.
Capillary Tubing	<p>Material: Armored Stainless Steel or PVC Coated Armored Stainless Steel.</p> <p>Length: 5, 10, 15, 20, 25, and 35 feet (1.5, 3, 4.6, 6.1, 7.5, and 10.7 meters).</p> <p>A 2 inch (51 millimeter) S.S. close-coupled nipple is also available. See Model Selection Guide.</p> <p>Refer to Figure 5 for guide to maximum capillary length vs. diaphragm diameter. Note: The minimum span is the higher of the higher of the value from the table above or the value defined under the Performance Conditions for the range transmitter.</p> <p>Figure 5</p>
Wiring	Accepts up to 16 AWG (1.5 mm diameter)
Mounting	See Figure 6
Dimensions	Transmitter: See Figures 7a and 7b . Seal: See Figure 8 through Figure 15
Net Weight	Transmitter: 8.3 pounds (3.8 Kg). With Aluminum Housing. Total weight is dependent on seal

NOTE: Pressure transmitters that are part of safety equipment for the protection of piping (systems) or vessel(s) from exceeding allowable pressure limits, (equipment with safety functions in accordance with Pressure Equipment Directive 97/23/EC article 1, 2.1.3), require separate examination.

Minimum recommended span for STR73D Transmitter with two Seals

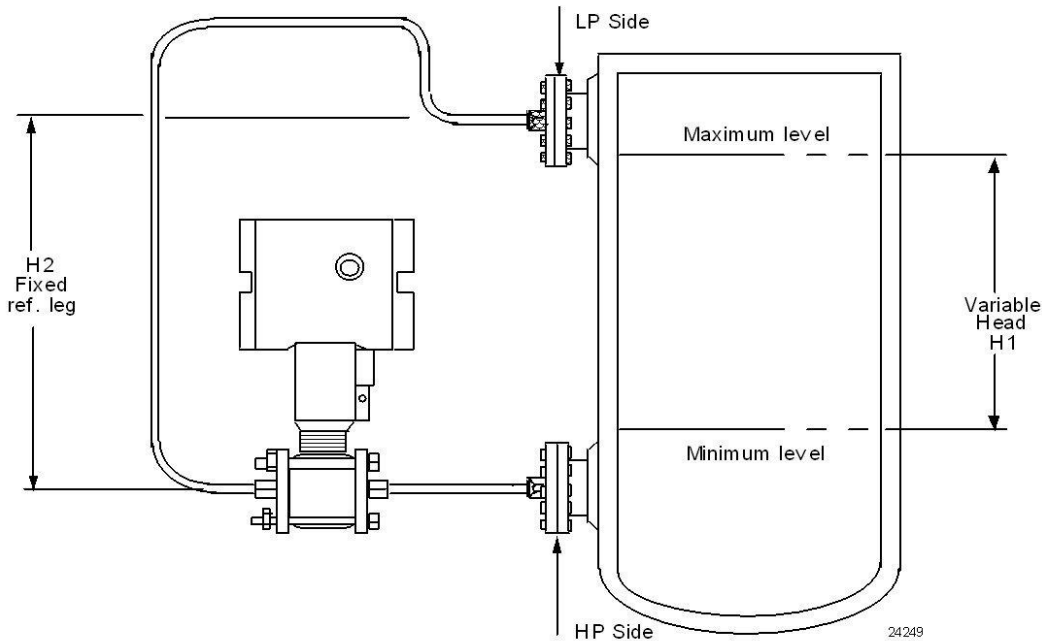
Diaphragm Size (Inch)	Capillary Length (Feet)						Maximum Capillary Length (Feet)
	5	10	15	20	25	35	
1.9	15 psi	20 psi	25 psi	-	-	-	15
2.4	5.4 psi	7.2 psi	9.0 psi	10.8 psi	12.6 psi	14.4 psi	35
2.9	1.8 psi	2.7 psi	3.6 psi	4.5 psi	5.4 psi	7.2 psi	35
3.5	0.9 psi	0.9 psi	0.9 psi	1.0 psi	1.2 psi	1.4 psi	35
4.1	0.9 psi	0.9 psi	0.9 psi	0.9 psi	0.9 psi	1.1 psi	35

Minimum recommended span for STR74G and STR73D Transmitter with one Remote Seal

Diaphragm Size (Inch)	Direct Mount	Capillary Length (Feet)						Maximum Capillary Length (Feet)
		5	10	15	20	25	35	
1.9	25 psi	30 psi	40 psi	50 psi	-	-	-	15
2.4	10 psi	15 psi	20 psi	25 psi	30 psi	35 psi	50 psi	35
2.9	8 psi	9 psi	10 psi	11 psi	12 psi	13 psi	15 psi	35
3.5	2 psi	2 psi	3 psi	4 psi	5 psi	6 psi	8 psi	35
4.1	0.9 psi	0.9 psi	1 psi	2 psi	3 psi	3.5 psi	5 psi	35

Note: The minimum span is the higher of the higher of the value from the table above or the value defined under the Performance Conditions for the range transmitter.

Figure 5– Typical Maximum capillary length and diaphragm size chart

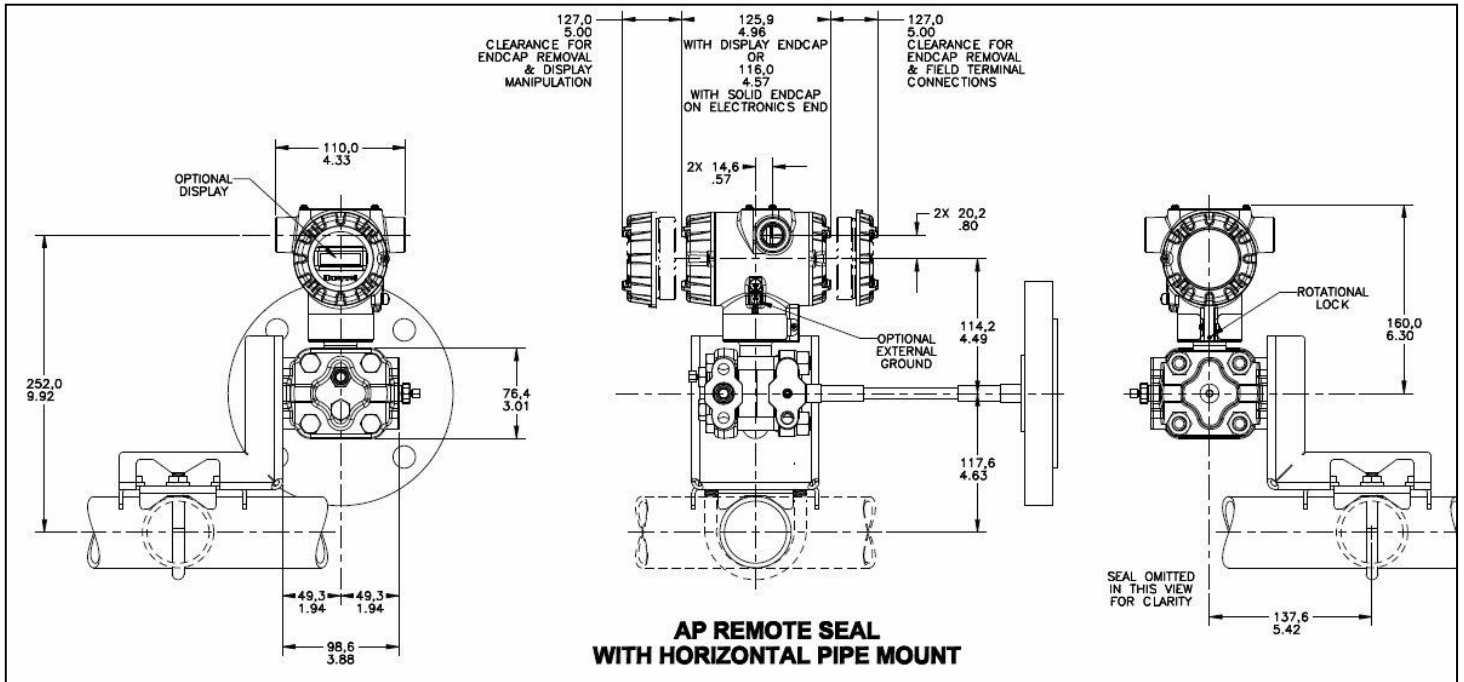
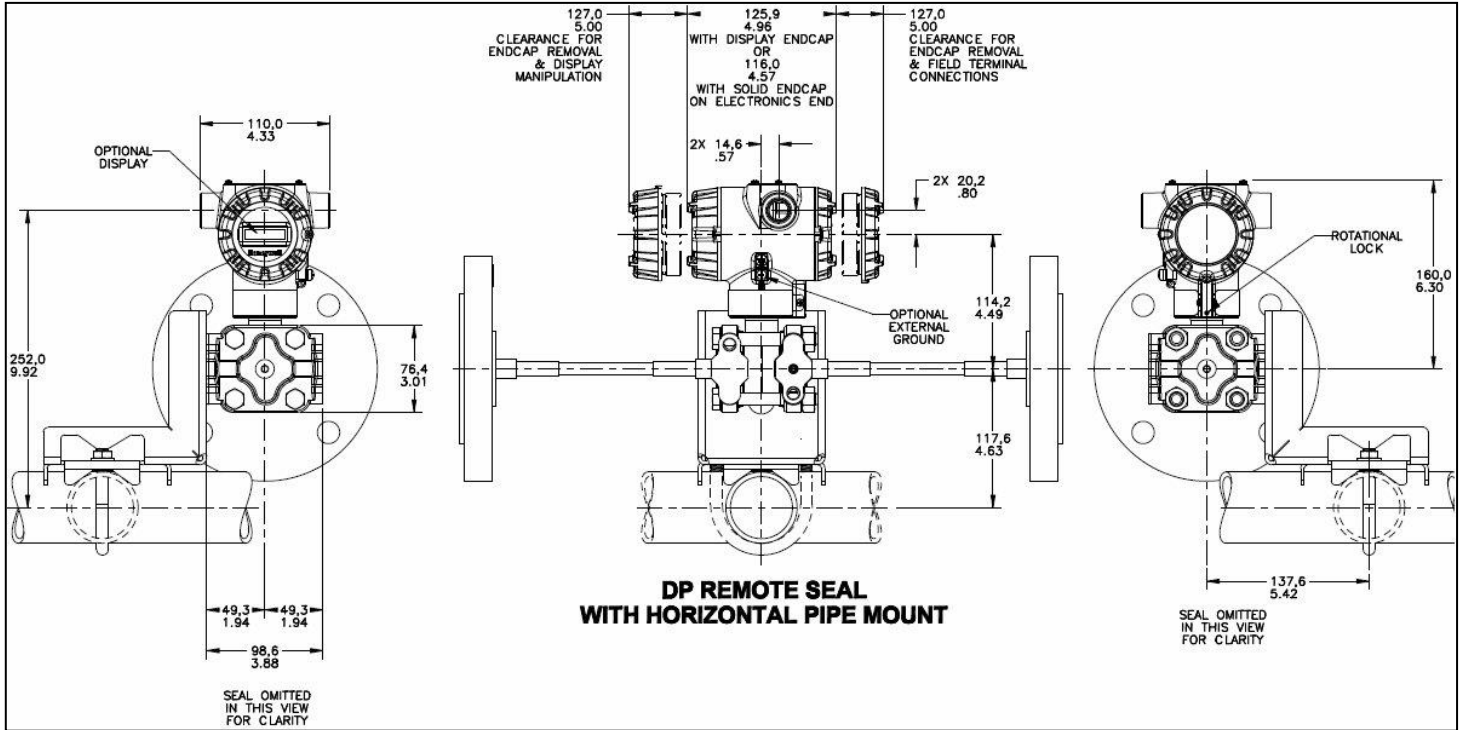


NOTE: Lower flange seal should not be mounted over 22 feet below or above the transmitter for silicone fill fluid (11 feet for CTFE fill fluid) with tank at one atmosphere. The combination of tank vacuum and high pressure capillary head effect should not exceed 9 psi vacuum (300 mmHg absolute).

Consult Honeywell for installation of STR73D.

Figure 6 - STR700 transmitter with remote diaphragm seals shown mounted on a tank

Reference Dimensions Horizontal Mounting



Reference Dimensions Horizontal Mounting (cont'd)

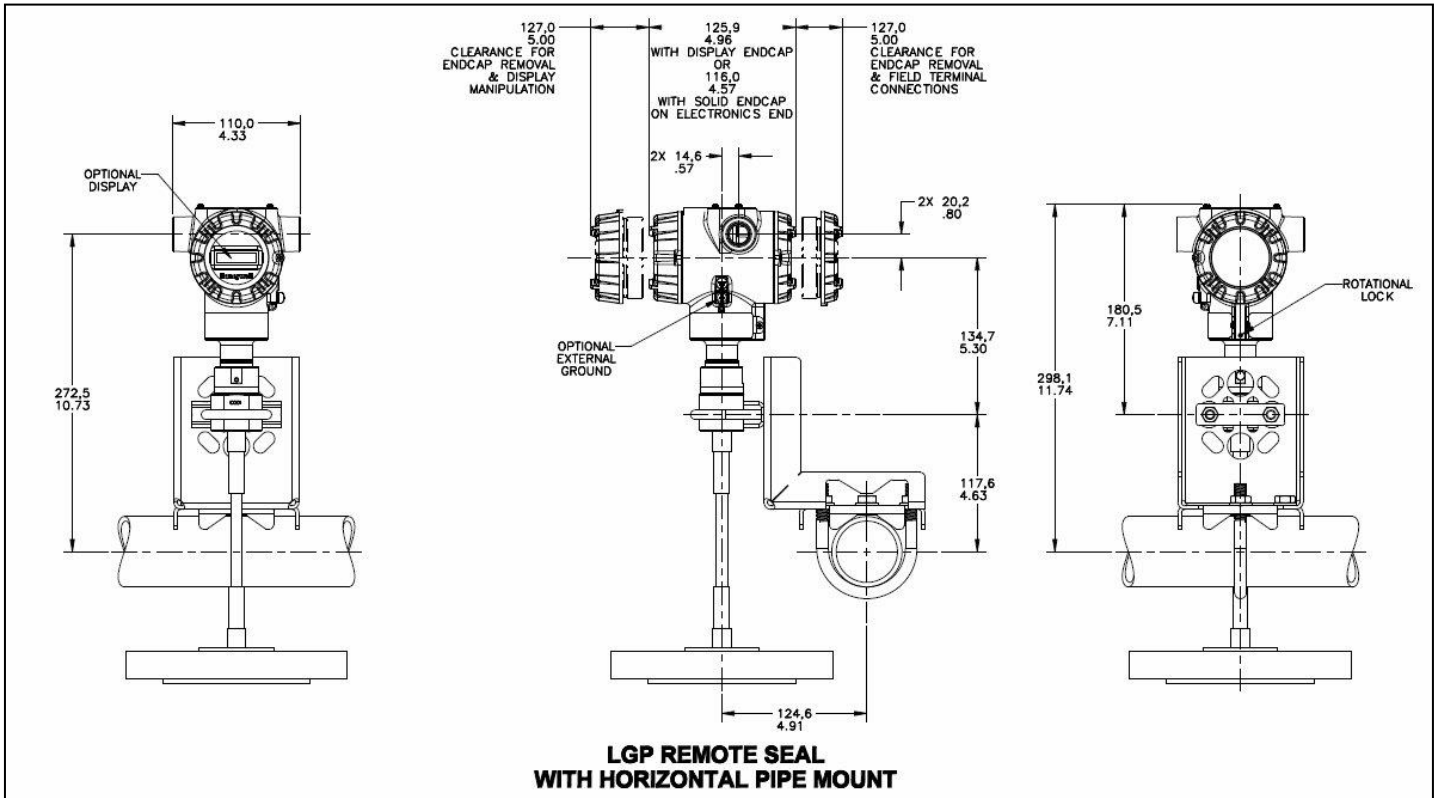
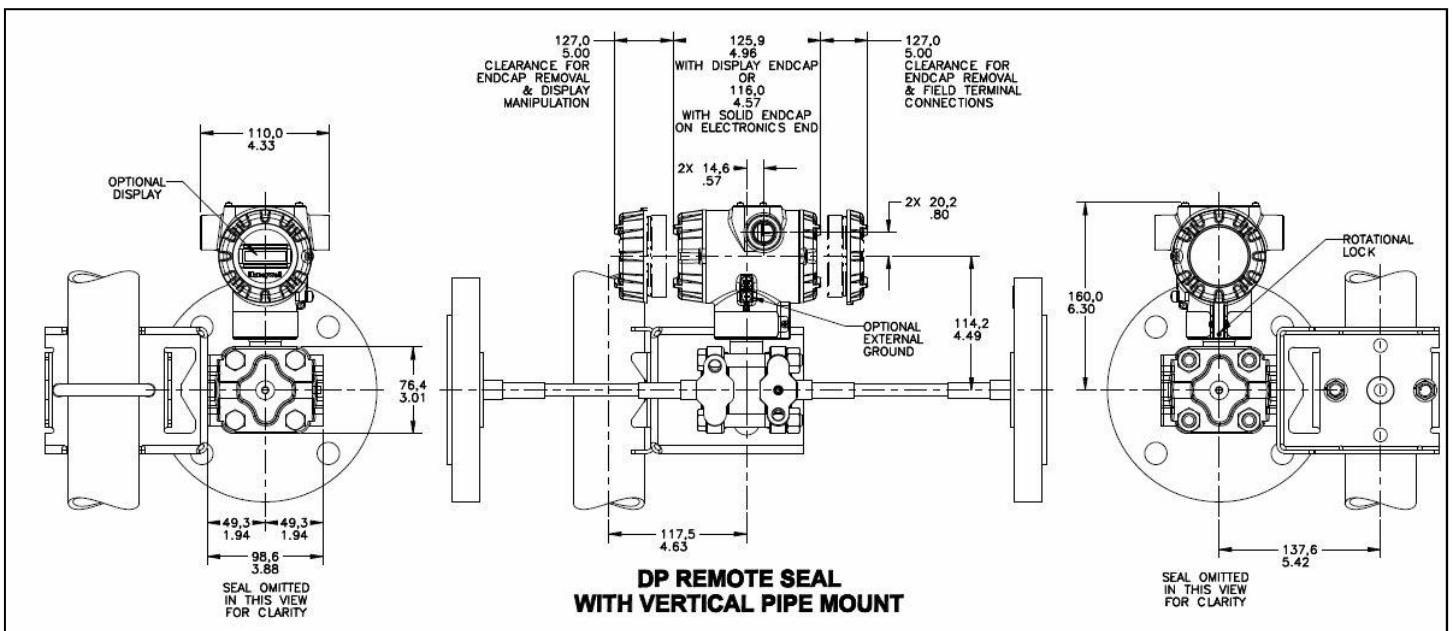


Figure 7 — Approximate horizontal mounting dimensions for Remote Seal Transmitter

Reference Dimensions Vertical Mounting



Reference Dimensions Vertical Mounting (cont'd)

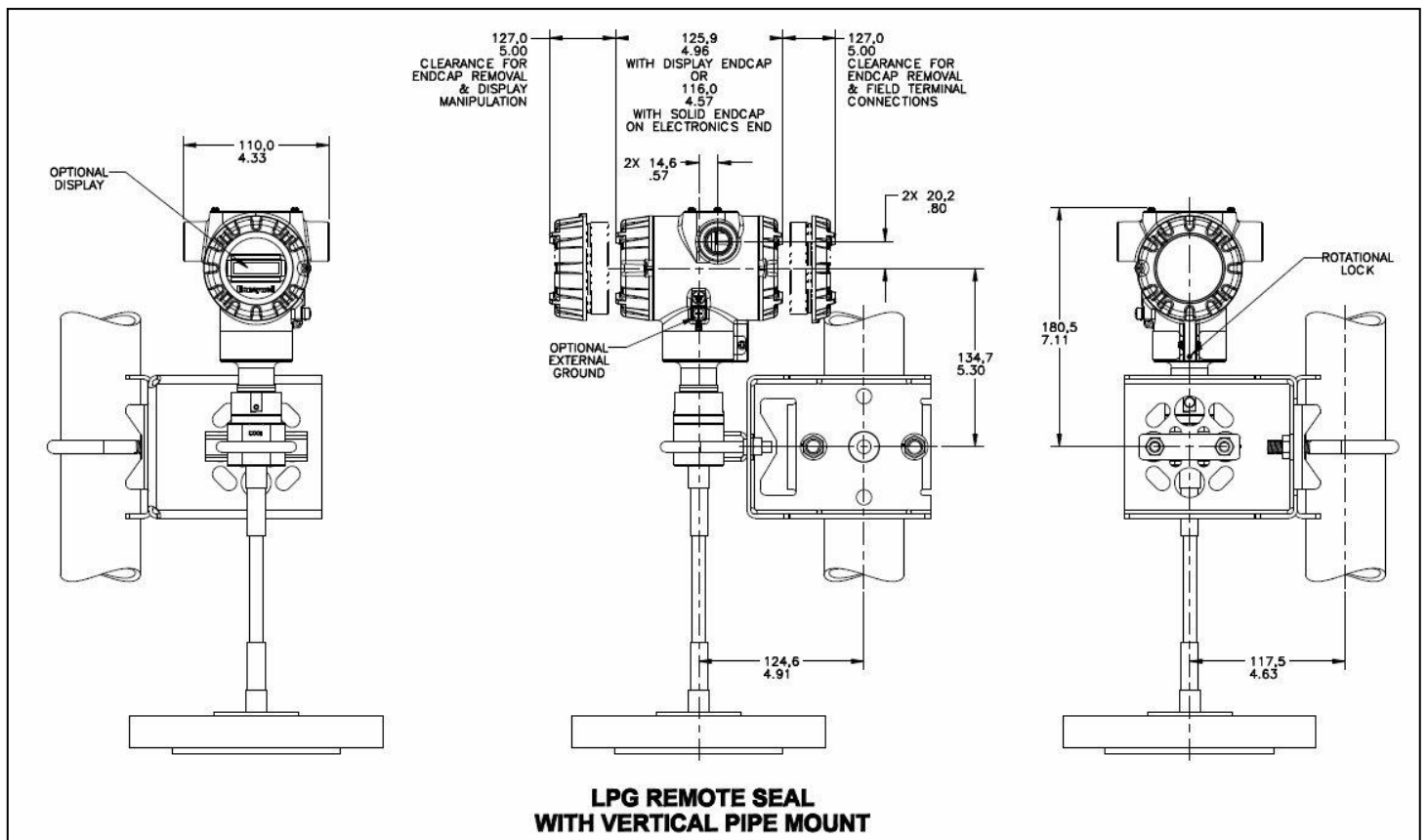
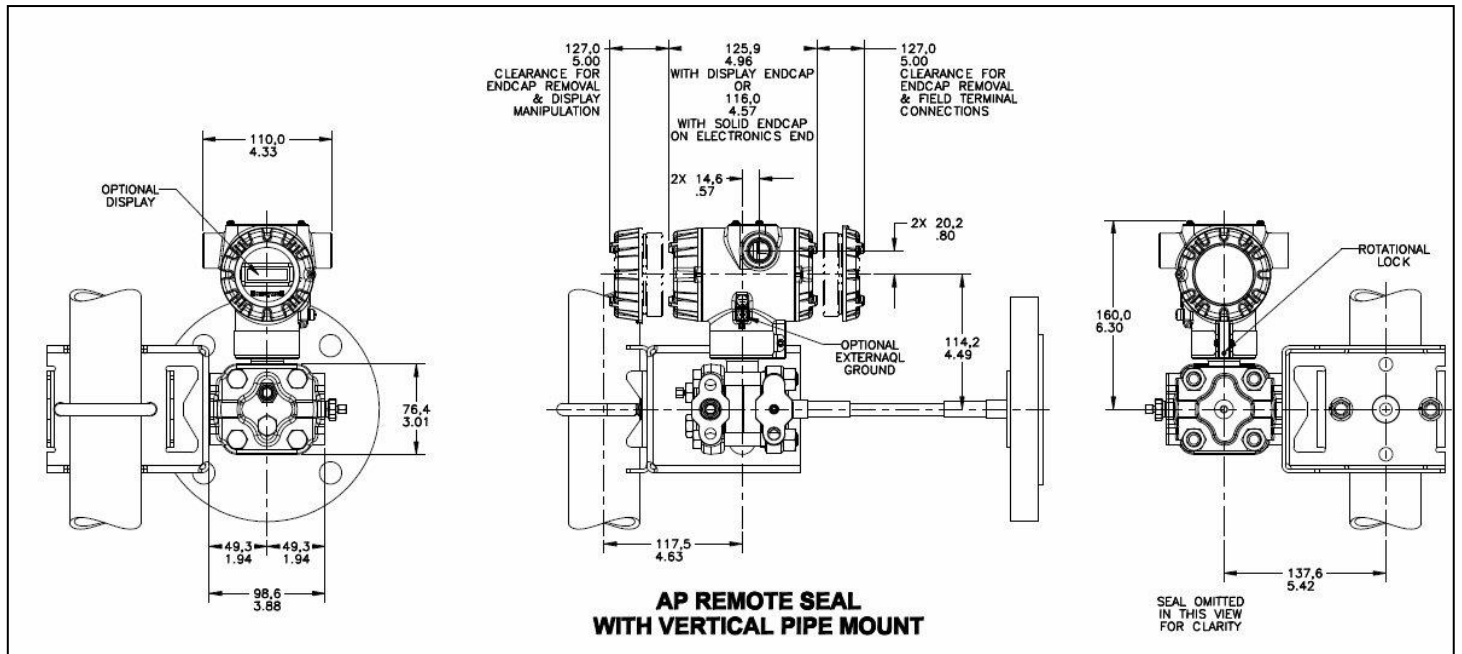
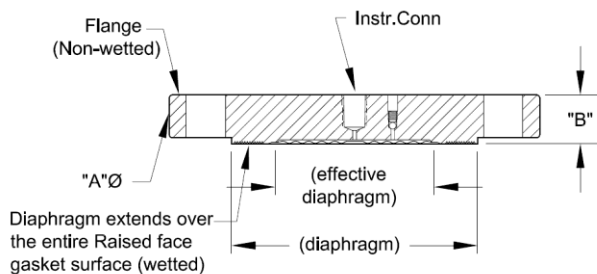


Figure 8 — Approximate vertical mounting dimensions for Remote Seal Transmitter

Reference Dimensions (cont'd)

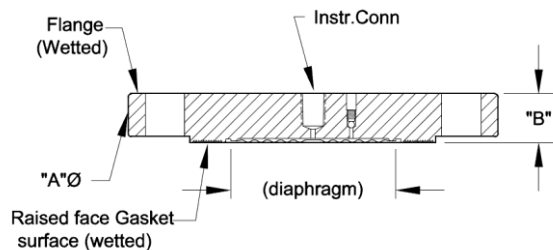
Flush Flanged Seal Dimensions

Type	ANSI/DIN Rating	Flange Material	Wetted Materials		Construction See figure	Dimensions	
			Diaphragm	Body		A	B
Flush Flanged Seal	3" Class 150#	CS	SS	SS	D	7.5	1.37
			Hastelloy C	SS	C		
			Hastelloy C	Hastelloy C	D		
			Monel	Monel	D		
			Tantalum	SS	C		
		SS	SS	N/A	B	7.50	0.94
			Hastelloy C	SS	A		
			Hastelloy C	Hastelloy C	D		
			Monel	Monel	D		
			Tantalum	SS	C		
	3" Class 300#	CS	SS	SS	D	8.25	1.56
			Hastelloy C	SS	C		
			Hastelloy C	Hastelloy C	D		
			Monel	Monel	D		
			Tantalum	SS	C		
		SS	SS	N/A	B	8.25	1.12
			Hastelloy C	SS	A		
			Hastelloy C	Hastelloy C	D		
			Monel	Monel	D		
			Tantalum	SS	C		
3" Class 600#	CS	SS	SS	D	8.25	1.75	
		Hastelloy C	SS	C			
		Hastelloy C	Hastelloy C	D			
		Monel	Monel	D			
		Tantalum	SS	C			
	SS	SS	N/A	B	8.25	1.5	
		Hastelloy C	SS	A			
		Hastelloy C	Hastelloy C	D			
		Monel	Monel	D			
		Tantalum	SS	C			
DN80-PN40	CS	SS	SS	D	7.87	1.32	
		Hastelloy C	SS	C			
		Hastelloy C	Hastelloy C	D			
		Monel	Monel	D			
		Tantalum	SS	C			
	SS	SS	N/A	B	7.87	0.94	
		Hastelloy C	SS	A			
		Hastelloy C	Hastelloy C	D			
		Monel	Monel	D			
		Tantalum	SS	C			



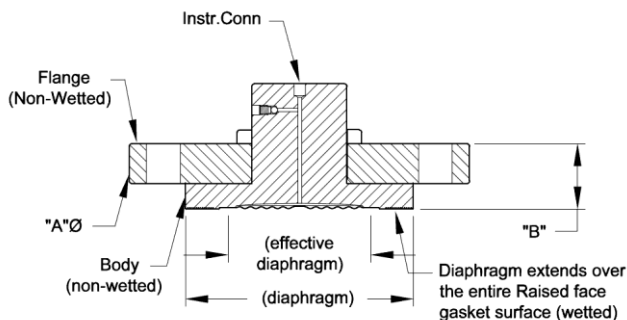
Configuration "HS"

Figure A



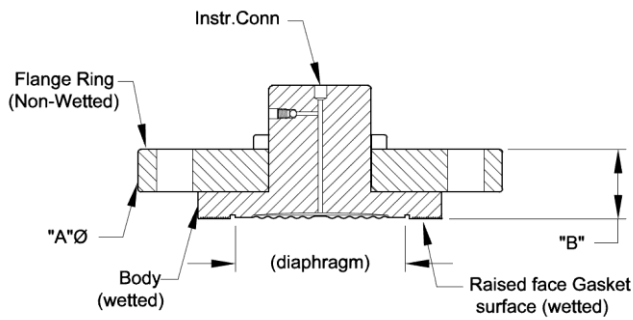
Configuration "HT"

Figure B



Configuration "IS"

Figure C



Configuration "IT"

Figure D

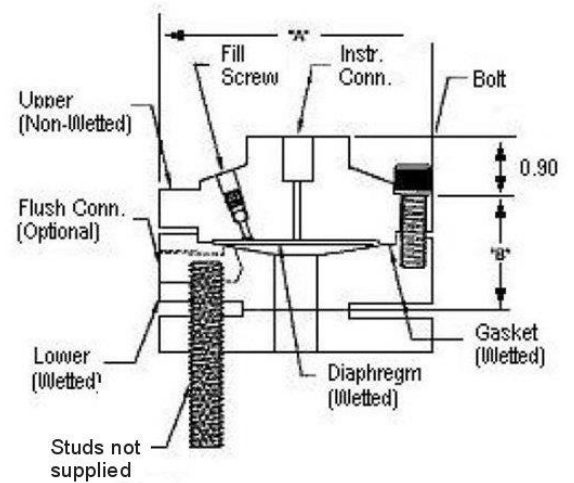
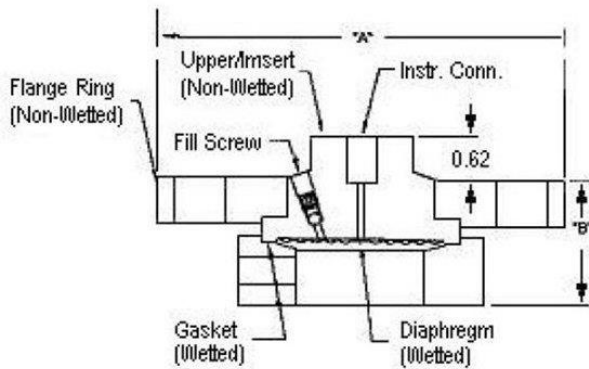
Figure 9 - Seal Dimensions (Flush Flanged)

Reference Dimensions (cont'd)

Flush Flanged Seal with Lower

Type	ANSI/DIN Rating	Size	Dimension	2.4" Diaph. Dia. (in.)	2.9" Diaph. Dia. (in.)	4.1" Diaph. Dia. (in.)
Flush Flanged Seal with Lower	Class 150#	1/2"	A	3.50	4.00	5.25
			B0	1.72	1.72	1.84
			B1	1.72	1.72	1.84
			B2	2.22	2.22	2.34
		1"	A	4.25	4.00	5.25
			B0	1.12	1.72	1.84
			B1	1.62	1.72	1.84
			B2	1.98	1.72	2.34
		1-1/2"	A	5.00	5.00	5.25
			B0	2.50	2.50	1.78
			B1	3.00	3.00	2.12
			B2	3.50	3.40	2.12
	2"	A	6.00	6.00	6.00	
		B0	2.50	2.50	2.12	
		B1	3.00	3.00	2.12	
		B2	3.50	3.40	2.12	
	3"	A	7.50	7.50	7.50	
		B0	2.58	2.88	2.80	
		B1	2.88	2.88	3.00	
		B2	3.50	3.40	3.40	
	Class 300#	1"	A	4.88	4.00	5.25
			B0	2.50	1.72	1.88
			B1	3.00	1.72	2.12
			B2	3.50	2.22	2.12
1-1/2"		A	6.12	6.12	5.25	
		B0	2.50	2.50	2.12	
		B1	3.00	3.00	2.12	
		B2	3.50	3.40	2.12	
2"		A	6.50	6.50	6.50	
		B0	2.50	2.50	2.70	
		B1	3.00	3.00	3.00	
		B2	3.50	3.40	3.50	
3"	A	8.25	8.25	8.25		
	B0	3.48	3.48	3.20		
	B1	3.48	3.48	3.60		
	B2	4.10	4.00	4.00		
Class 600#	1"	A	4.88	4.50	5.25	
		B0	2.50	2.15	2.28	
		B1	3.00	2.15	2.28	
		B2	3.50	2.40	2.50	
	1-1/2"	A	6.12	6.12	5.25	
		B0	2.50	1.53	2.50	
		B1	3.00	2.09	3.00	
		B2	3.50	2.49	3.50	
	2"	A	6.50	6.50	6.50	
		B0	3.10	3.10	3.30	
		B1	3.60	3.60	3.60	
		B2	4.10	4.00	4.10	
3"	A	8.25	8.25	8.25		
	B0	3.48	3.48	3.20		
	B1	3.48	3.48	3.60		
	B2	4.10	4.00	4.00		

B0 Without Flush
 B1 B Dimension with 1/4 NPT Flushing Connection
 B2 B dimension with 1/2 NPT Flushing Connection



Flush Flanged Seal with Lower

Note: 0.90 dimension is 0.70 for 4.1" Dia Diaphragm

Flush Flanged Seal with Lower

Figure 10- Seal Dimension (Flush Flanged)

Reference Dimensions (cont'd)

Flanged Seal with Extended Diaphragm

Type	ANSI/DIN Rating	Dimension	2.8" Diaphragm Dia. (in.)	3.5" Diaphragm Dia. (in.)
Flanged Seal with Extended Diaphragm	3" Class 150#	A	7.50	-
		B	0.94	-
		C	2.80	-
	3" Class 300#	A	8.25	-
		B	1.12	-
		C	2.80	-
DIN DN80-PN40	A	7.87	-	
	B	0.94	-	
	C	2.80	-	
4" Class 150#	A	-	9.00	
	B	-	0.94	
	C	-	3.70	
4" Class 300#	A	-	10.00	
	B	-	1.25	
	C	-	3.70	
DIN DN100-PN40	A	-	9.25	
	B	-	0.94	
	C	-	3.70	

Designed to meet with schedule 40 pipe

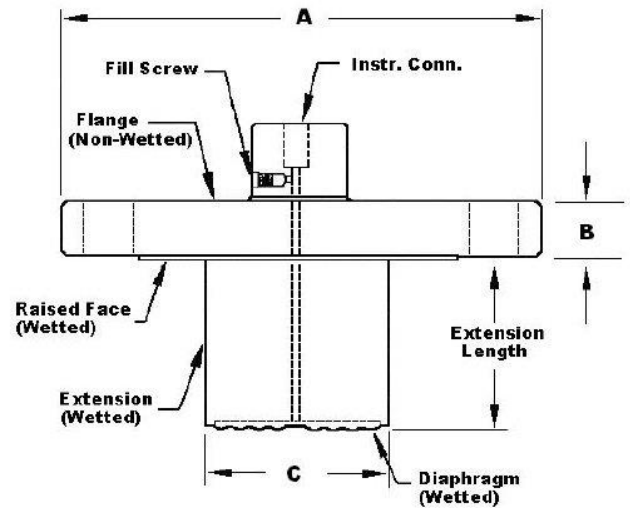


Figure 11 — Seal Dimensions (Extended Diaphragms)

Pancake Seal

Type	ANSI/DIN	Dimension	3.5" Diaph. (in.)
Pancake Seal	Class 150#, 300#, 600# DN80-PN40	A	5.00
		B	1.08

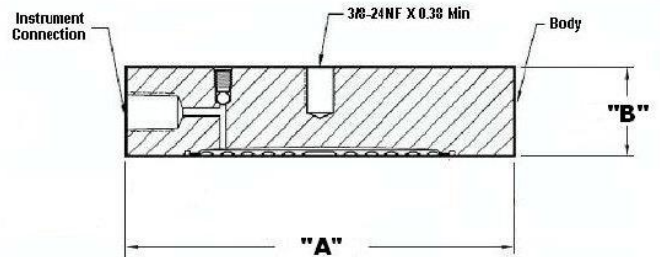


Figure 12 — Seal Dimensions (Pancake)

Chemical Tee "Taylor Wedge" Seal

Type	Size	Dimension	3.5" Diaph. (in.)
Chemical Tee "Taylor Wedge" Seal	750 psi	A	5.00
		B	0.50

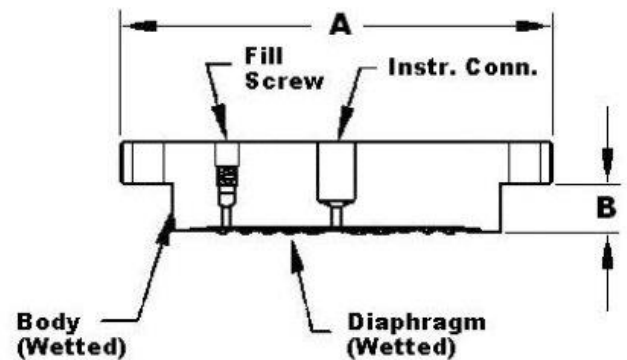


Figure 13 — Seal Dimensions (Chemical TEE "Taylor Wedge" Seals)

Seal with Threaded Process Connection

Type	Size	Dimension	2.4" Diaphragm Dia. (in.)	2.9" Diaphragm Dia. (in.)	4.1" Diaphragm Dia. (in.)
Threaded Process Conn. Seal	1/4" or 1/2"	A	3.50	4.00	5.25
		B0	1.88	1.88	1.79
		B1	1.88	1.88	1.79
		B2	2.18	2.18	2.14
	3/4" or 1"	A	3.50	4.00	5.25
		B0	1.88	1.88	1.79
		B1	1.88	1.88	1.79
		B2	2.18	2.18	2.14

- B0 Without Flush
- B1 B Dimension with 1/4 NPT Flushing Connection
- B2 B dimension with 1/2 NPT Flushing Connection

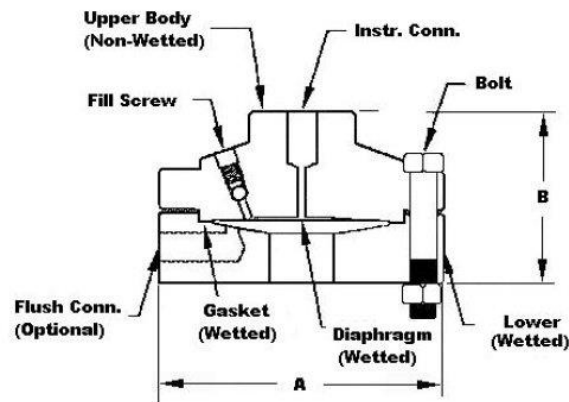


Figure 14— Seal Dimensions (Threaded Process Connection Seals)

Sanitary Seal

Type	Size	Dimension	1.9" Diaphragm Dia. (in.)	2.4" Diaphragm Dia. (in.)	2.9" Diaphragm Dia. (in.)	4.1" Diaphragm Dia. (in.)
Sanitary Seal	2"	A	2.50	-	-	-
		B	1.42	-	-	-
	2- 1/2"	A	-	3.00	-	-
		B	-	1.28	-	-
	3"	A	-	-	3.57	-
		B	-	-	1.38	-
	4"	A	-	-	-	4.68
		B	-	-	-	1.60

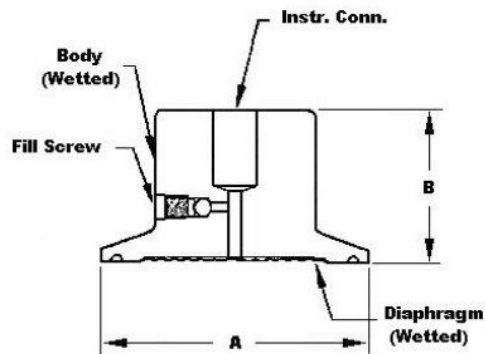


Figure 15— Seal Dimensions (Sanitary Seals)

Saddle Seal

Type	Size	Dimension	2.4" Diaph. (in.)
Saddle Seal	3"	A	3.50
		B	2.90
	4" or larger	A	3.50
		B	3.04

Note: Specify 6 or 8 bolt pattern

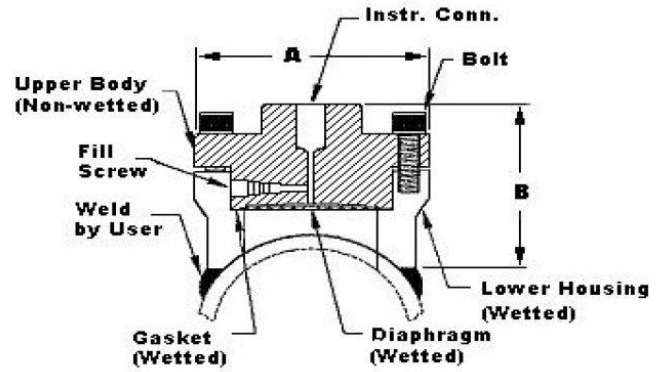


Figure 16— Seal Dimensions (3" Saddle Seal)

Type	Size	Dimension	2.4" Diaph. (in.)
Saddle Seal	3"	A	3.50
		B	2.90
	4" or larger	A	3.50
		B	3.04

Note: Specify 6 or 8 bolt pattern

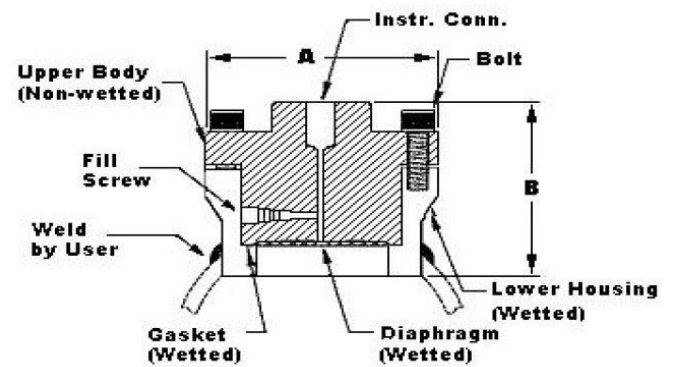


Figure 17— Seal Dimensions (4" Saddle Seal)

Calibration Ring

Type	Size	Rating	Dimension	1/4 NPT	1/2 NPT
Calibration Ring	3"	150# / 800#	A	5.00	5.00
			B	1.00	1.50
			C	3.00	3.00

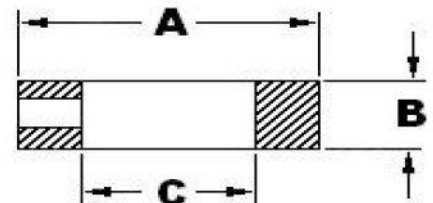


Figure 18— Calibration Ring

Communications Protocols & Diagnostics

HART Protocol

Version:

HART 7

Power Supply

Voltage: 10.8 to 42.4Vdc at terminals

Load: Maximum 1440 ohms. See Figure 2.

Minimum Load: 0 ohms. (For handheld communications a minimum load of 250 ohms is required)

Foundation Fieldbus (FF)

Power Supply Requirements

Voltage: 9.0 to 32.0Vdc at terminals

Steady State Current: 17.6mA_{dc}

Software Download Current: 27.4mA_{dc}

Available Function Blocks

Block Type	Qty	Execution Time
Resource	1	n/a
Transducer	1	n/a
Diagnostic	1	n/a
Analog Input	1*	30 ms
PID w/Autotune	1	45 ms
Integrator	1	30 ms
Signal Char (SC)	1	30 ms
LCD Display	1	n/a
Flow Block	1	30 ms
Input Selector	1	30 ms
Arithmetic	1	30 ms

* AI block may have two (2) additional instantiations. All available function blocks adhere to FOUNDATION Fieldbus standards. PID blocks support ideal & robust PID algorithms with full implementation of Auto-tuning.

Link Active Scheduler

Transmitters can perform as a backup Link Active Scheduler and take over when the host is disconnected. Acting as a LAS, the device ensures scheduled data transfers typically used for the regular, cyclic transfer of control loop data between devices on the Fieldbus.

Number of Devices/Segment

Entity IS model: 6 devices/segment

Schedule Entries

18 maximum schedule entries

Number of VCR's: 24 max

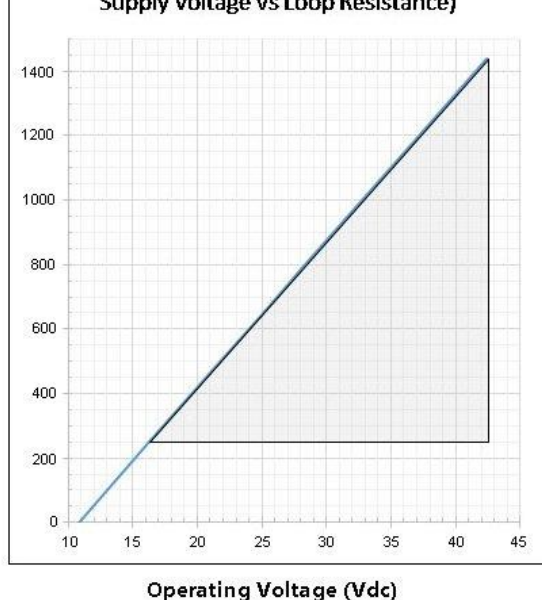
Compliance Testing: Tested according to ITK 6.0.1

Software Download

Utiliz
proc
any I
host

Hon
DE i:
digit
field

Pow
Volts



$RL_{max} = 45.6 \times (\text{Power Supply Voltage} - 10.8)$

Standard Diagnostics

ST 700 top level diagnostics are reported as either critical or non-critical and readable via the DD/DTM tools or integral display as shown below.

Critical Diagnostics

HART DD/DTM Tools	Basic Display	Simple Display
Electronic Module DAC Failure	Electronics module fault	Fault Comm EI
Meter Body NVM Corrupt	Meter Body fault	Fault Mtrbody
Config. Data Corrupt	Electronics module fault	Fault Comm EI
Electronic Module Diag Failure	Electronics module fault	Fault Comm EI
Meter Body Critical Failure	Meter Body fault	Fault Mtrbody
Sensor Comms Timeout	Meter Body Comm fault	Fault Mbd Com

Non-Critical Diagnostics

HART DD/DTM Tools
Display Failure
Electronic Module Comm Failure
Meter Body Excess Correct
Sensor Over Temperature
Fixed Current Mode
PV Out of Range
No Factory Calibration
No DAC Compensation
LRV Set Error – Zero Config. Button
URV Set Error – Zero Config. Button
AO Out of Range
Loop Current Noise
Meter Body Unreliable Comm
Tamper Alarm,
No DAC Calibration
Sensor Supply Voltage Low

Refer to ST 700 manuals for additional level diagnostic information.

Approval Certifications:

AGENCY	TYPE OF PROTECTION	COMM. OPTION	FIELD PARAMETERS	AMBIENT TEMP (Ta)
FM Approvals™	Explosionproof: Class I, Division 1, Groups A, B, C, D; Dust Ignition Proof: Class II, III, Division 1, Groups E, F, G; T4 Class I, Zone 0/1, AEx d IIC Ga/Gb Class II, Zone 21, AEx tb IIIC Db T 95°C	All	Note 1	T5: -50 °C to 85°C T6: -50 °C to 65°C
	Intrinsically Safe: Class I, II, III, Division 1, Groups A, B, C, D, E, F, G; T4 Class I, Zone 0, AEx ia IIC Ga T4 FISCO Field Device (Only for FF Option) Ex ia IIC T4	4-20 mA / DE/ HART	Note 2a	-50 °C to 70°C
		Foundation Fieldbus	Note 2b	-50 °C to 70°C
	Nonincendive: Class I, Division 2, Groups A, B, C, D locations, Class I, Zone 2, AEx nA IIC Gc T4	4-20 mA / DE/ HART/ Foundation Fieldbus	Note 1	-50 °C to 85°C
	Enclosure: Type 4X/ IP66/ IP67	All	All	-
Canadian Standards Association (CSA)	Explosion Proof: Class I, Division 1, Groups A, B, C, D; Dust Ignition Proof: Class II, III, Division 1, Groups E, F, G; Ex d IIC Ga Ex tb IIIC Db T 95°C	All	Note 1	T5: -50 °C to 85°C T6: -50 °C to 65°C
	Intrinsically Safe: Class I, II, III, Division 1, Groups A, B, C, D, E, F, G; T4 Ex ia IIC Ga T4 FISCO Field Device (Only for FF Option) Ex ia IIC T4	4-20 mA / DE/ HART	Note 2a	-50 °C to 70°C
		Foundation Fieldbus	Note 2b	-50 °C to 70°C
	Nonincendive: Class I, Division 2, Groups A, B, C, D; T4 Ex nA IIC Gc T4	4-20 mA / DE/ HART/ Foundation Fieldbus	Note 1	-50 °C to 85°C
	Enclosure: Type 4X/ IP66/ IP67	All	All	-

Approval Certifications: (Continued)

ATEX	Flameproof: II 1/2 G Ex d IIC Ga/Gb II 2 D Ex tb IIIC Db T 95°C	All	Note 1	T5: -50 °C to 85°C T6: -50 °C to 65°C
	Intrinsically Safe: II 1 G Ex ia IIC Ga T4	4-20 mA / DE/ HART	Note 2a	-50 °C to 70°C
	FISCO Field Device (Only for FF Option) Ex ia IIC T4	Foundation Fieldbus	Note 2b	-50 °C to 70°C
	Nonincendive: II 3 G Ex nA IIC Gc T4	4-20 mA / DE/ HART/ Foundation Fieldbus	Note 1	-50 °C to 85°C
	Enclosure: IP66/ IP67	All	All	-
IECEX (World)	Flameproof : Ex d IIC Ga/Gb T4 Ex tb IIIC Db T 95°C	All	Note 1	T5: -50 °C to 85°C T6: -50 °C to 65°C
	Intrinsically Safe: Ex ia IIC Ga T4	4-20 mA / DE/ HART	Note 2a	-50 °C to 70°C
	FISCO Field Device (Only for FF Option) Ex ia IIC T4	Foundation Fieldbus	Note 2b	-50 °C to 70°C
	Nonincendive: Ex nA IIC Gc T4	4-20 mA / DE/ HART/ Foundation Fieldbus	Note 1	-50 °C to 85°C
	Enclosure: IP66/ IP67	All	All	-
SAEx (South Africa)	Flameproof : Ex d IIC Ga/Gb T4 Ex tb IIIC Db T 95°C	All	Note 1	-50 °C to 85°C
	Intrinsically Safe: Ex ia IIC Ga T4	4-20 mA / DE/ HART	Note 2a	-50 °C to 70°C
	FISCO Field Device (Only for FF Option) Ex ia IIC T4	Foundation Fieldbus	Note 2b	-50 °C to 70°C
	Nonincendive: Ex nA IIC Gc T4	4-20 mA / DE/ HART/ Foundation Fieldbus	Note 1	-50 °C to 85°C
	Enclosure: IP66/ IP67	All	All	-
INMETRO (Brazil)	Flameproof: Ex d IIC Ga/ Gb T4 Ex tb IIIC Db T 95°C	All	Note 1	-50 °C to 85°C
	Intrinsically Safe: Ex ia IIC Ga T4	4-20 mA / DE/ HART	Note 2a	-50 °C to 70°C
	FISCO Field Device (Only for FF Option) Ex ia IIC T4	Foundation Fieldbus	Note 2b	-50 °C to 70°C
	Nonincendive: Ex nA IIC Gc T4	4-20 mA / DE/ HART/ Foundation Fieldbus	Note 1	-50 °C to 85°C
	Enclosure : IP 66/67	All	All	-

Approval Certifications: (Continued)

NEPSI (China)	Flameproof: Ex d IIC Ga/Gb T4 Ex tb IIIC Db T 85°C	All	Note 1	-50 °C to 85°C
	Intrinsically Safe: Ex ia IIC Ga T4	4-20 mA / DE/ HART	Note 2a	-50 °C to 70°C
	FISCO Field Device (Only for FF Option) Ex ia IIC T4	Foundation Fieldbus	Note 2b	-50 °C to 70°C
	Nonincendive: Ex nA IIC Gc T4	4-20 mA / DE/ HART/ Foundation Fieldbus	Note 1	-50 °C to 85°C
	Enclosure : IP 66/67	All	All	-
EAC Russia, Belarus and Kazakhstan	Flameproof: 1 Ex d IIC Ga/Gb T4 Ex tb IIIC Db T 85°C	All	Note 1	-50 °C to 85°C
	Intrinsically Safe: 0 Ex ia IIC Ga T4	4-20 mA / DE/ HART	Note 2a	-50 °C to 70°C
	FISCO Field Device (Only for FF Option) Ex ia IIC T4	Foundation Fieldbus	Note 2b	-50 °C to 70°C
	Enclosure : IP 66/67	All	All	
KOSHA Korea	Flameproof : Ex d IIC T6..T5 Ex tD T 95°C	All	Note 1	T6: Ta= -50 °C to 65°C T5: Ta= -50 °C to 85°C
	Intrinsically Safe: Ex ia IIC T4	4-20 mA / DE/ HART	Note 2a	Ta= -50 °C to 70°C
		Foundation Fieldbus	Note 2b and 2c	Ta= -50 °C to 70°C
	Enclosure: IP66/ IP67	All	All	-

Notes:

1. Operating Parameters:

Voltage= 11 to 42 V DC Current= 4-20 mA Normal
= 10 to 30 V (FF) = 30 mA (FF)

2. Intrinsically Safe Entity Parameters

a. Analog/ DE/ HART Entity Values:

Vmax= Ui = 30V Imax= li= 105mA Ci = 4.2nF Li =984 uH Pi =0.9W

Transmitter with Terminal Block Revision E or Later

Vmax= Ui = 30V Imax= li= 225mA Ci = 4.2nF Li = 0 Pi =0.9W

Note : Transmitter with Terminal Block Revision E or later

The revision is on the label that is on the module. There will be two lines of text on the label:

- First is the Module Part #: 50049839-001 or 50049839-002
- Second line has the supplier information, along with the REVISION:
XXXXXX-EXXX, THE "X" is production related, THE POSITION of the "E" IS THE REVISION.

b. Foundation Fieldbus- Entity Values

Vmax= Ui = 30V Imax= li= 180mA Ci = 0nF Li = 984 uH Pi =1W

Transmitter with Terminal Block Revision F or Later

Vmax= Ui = 30V Imax= li= 225mA Ci =0nF Li = 0 Pi =1 W

FISCO Field Device

$V_{max} = U_i = 17.5V$ $I_{max} = I_i = 380 \text{ mA}$ $C_i = 0nF$ $L_i = 0$ $P_i = 5.32 \text{ W}$

Note : Transmitter with Terminal Block Revision F or later

The revision is on the label that is on the module. There will be two lines of text on the label:

- First is the Module Part #: 50049839-003 or 50049839-004
- Second line has the supplier information, along with the REVISION:
XXXXXXX-EXXXX, THE "X" is production related, THE POSITION of the "E" IS THE REVISION.

Approval Certifications: (Continued)

Marine Certifications	This certificate defines the certifications covered for the SmartLine Pressure Transmitter family of products, including the SMV SmartLine Multivariable Transmitter. It represents the compilation of the five certificates Honeywell currently has covering the certification of these products into marine applications.
	American Bureau of Shipping (ABS) - 2009 Steel Vessel Rules 1-1-4/3.7, 4-6-2/5.15, 4-8-3/13 & 13.5, 4-8-4/27.5.1, 4-9-7/13. Certificate number: 04-HS417416-PDA
	Bureau Veritas (BV) - Product Code: 389:1H. Certificate number: 12660/B0 BV
	Det Norske Veritas (DNV) - Location Classes: Temperature D, Humidity B, Vibration A, EMC B, Enclosure C. For salt spray exposure; enclosure of 316 SST or 2-part epoxy protection with 316 SST bolts to be applied. Certificate number: A-11476
	Korean Register of Shipping (KR) - Certificate number: LOX17743-AE001
	Lloyd's Register (LR) - Certificate number: 02/60001(E1) & (E2)
SIL 2/3 Certification	IEC 61508 SIL 2 for non-redundant use and SIL 3 for redundant use according to EXIDA and TÜV Nord Sys Tec GmbH & Co. KG under the following standards: IEC61508-1: 2010; IEC 61508-2: 2010; IEC61508-3: 2010.

Other Certification Options

Materials

- NACE MRO175, MRO103, ISO15156

Application Data

Liquid Level: Closed Tank

Determine the minimum and maximum pressure differentials to be measured (Figure 16).

$$\begin{aligned} P_{\text{Min}} &= (SG_p \times a) - (SG_f \times d) \\ &= \text{LRV when HP at bottom of tank} \\ &= -\text{URV when LP at bottom of tank} \end{aligned}$$

$$\begin{aligned} P_{\text{Max}} &= (SG_p \times b) - (SG_f \times d) \\ &= \text{URV when HP at bottom of tank} \\ &= -\text{LRV when LP at bottom of tank} \end{aligned}$$

Where:

minimum level at 4mA
maximum level at 20 mA

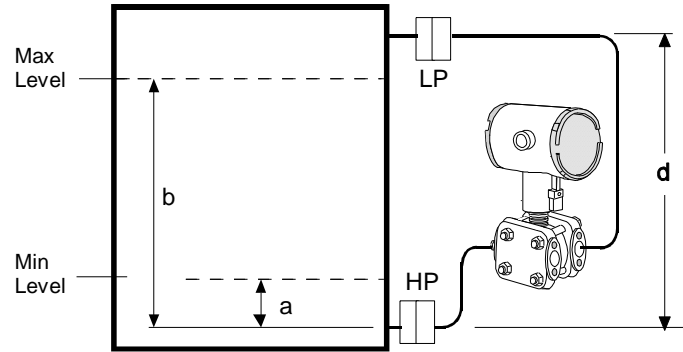
a = distance between bottom tap and minimum level

b = distance between bottom tap and maximum level

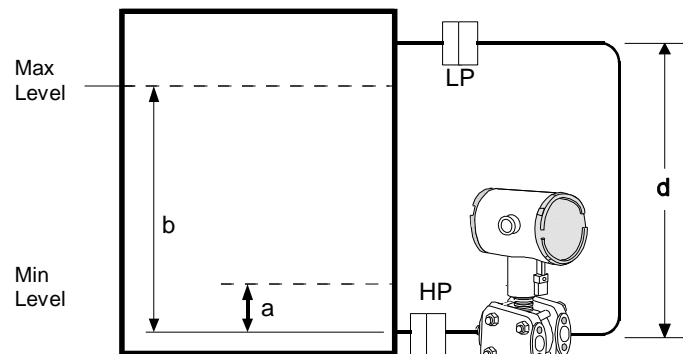
d = distance between taps

SG_f = Specific Gravity of capillary fill fluid (See Page 6 "Material Specifications" for values.)

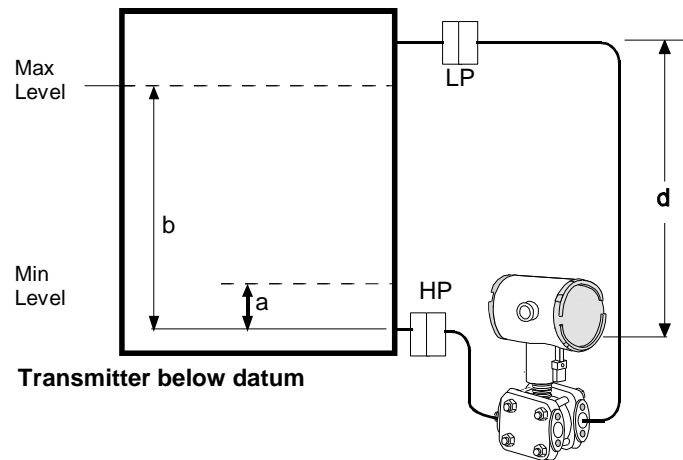
SG_p = Specific Gravity of process fluid



Transmitter above datum



Transmitter at datum



Transmitter below datum

24253

Figure 16—Closed tank liquid level measurement distance

Application Data (Cont'd)

Density or Interface*

Calculate the minimum and maximum pressure differentials to be measured (Figure 19).

$P_{\min} = (SG_{\min} - SG_f) \times (d)$;
minimum density, 4mA output

$P_{\max} = (SG_{\max} - SG_f) \times (d)$;
maximum density, 20mA output

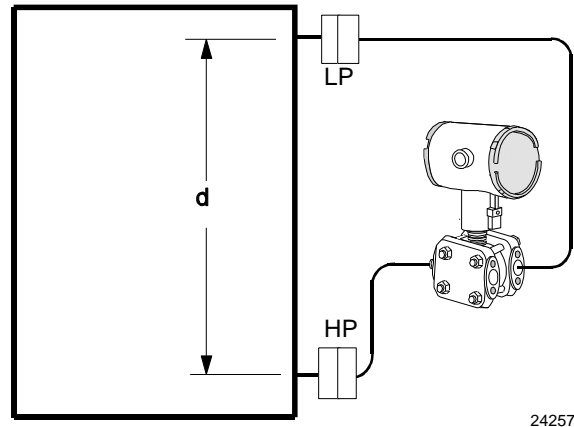
Where:

d = distance between the taps

SG_{max} = maximum Specific Gravity

SG_{min} = minimum Specific Gravity

SG_f = Specific Gravity of capillary fill fluid (See Page 6 "Material Specifications" for values.)



24257

Figure 19- Density, direct acting transmitter configuration

Seal Configurations



Figure 20—Flush Flange Seals

Flush Flange Seals can be used with differential, gauge and absolute pressure transmitters and are available with 3" ANSI Class 150, ANSI Class 300 and DIN DN80-PN40 process connections. Flush flange seals can also be provided with Lowers. Lowers are essentially calibration rings, which allow flushing connections if needed.

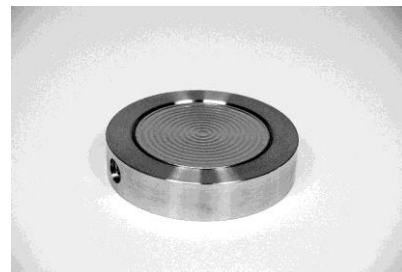


Figure 22—Pancake Seals

Pancake Seals can be used with differential, gauge and absolute pressure transmitters and are available with 3" ANSI Class 150, 300 and 600 process connections.



Figure 21 — Flange Seal with Extended Diaphragm

Flange Seal with Extended Diaphragm can be used with differential, gauge and absolute pressure transmitters and are available with 3" and 4" ANSI Class 150, ANSI Class 300, DIN DN80-PN40 and DIN DN100-PN40 process connections. 2", 4" and 6" extension lengths are available



Figure 23— Chemical Tee "Taylor" Wedge

Chemical Tee "Taylor" Wedge can be used with differential pressure transmitters and are available with Taylor Wedge 5" O.D. process connection.

Seal Configurations (cont'd)



Figure 24— Seals with Threaded Process Connections

Seals with Threaded Process Connections can be used with differential, gauge and absolute pressure transmitters and are available with ½", ¾" and 1" NPT Female process connections.



Figure 25 — Sanitary Seals

Sanitary Seals can be used with differential, gauge and absolute pressure transmitters and are available with 3" and 4" Tri-Clover-Tri-Clamp process connections.



Figure 26— Saddle Seals

Saddle Seals can be used with differential, gauge and absolute pressure transmitters and are available with 3" and 4" (6 bolt or 8 bolt designs) process connections.



Figure 27 — Calibration Rings

Calibration Rings are available with Flush Flange Seals and Pancake Seals. Flushing ports (1/4" or 1/2") are available with calibration rings.



Figure 28 — Stainless Steel Armor and PVC Coated Stainless Steel Armor Capillaries

Stainless Steel Armor and PVC Coated Stainless Steel Armor Capillaries are available with Honeywell Remote Seal Solutions.



Figure 29 — 2" Stainless Steel Nipples
2" Stainless Steel Nipples are available for Close-Coupled remote seal solutions



Figure 30 — Welded Meter Body for All-Welded Remote Seal Solution

Welded Meter Body for All-Welded Remote Seal Solution. The welded ST 700 meter body is an important part of an All-Welded Remote Seal Solution, which is commonly used in Vacuum applications.

Model Selection Guide

Model Selection Guides are subject to change and are inserted into the specifications as guidance only.

**Model STR700
(DP, GP) Remote Seals**

Model Selection Guide
34-ST-16-104 Issue 20

Instructions

- Select the desired Key Number. The arrow to the right marks the selection available.
- Make selections from each Table (I, II and IX) using the column below the proper arrow.
- A (●) denotes unrestricted availability. A letter denotes restricted availability.
- Restrictions follow Table IX.

Key Number STR7__ - [I] - [II] - [III] - [IV] - [V] - [VI] - [VII] - [VIII] + [IX]

KEY NUMBER	URL	LRL	Max Span	Min Span	Units	Selection	Availability
Measurement	100 (7)	-100 (-7)	100 (7)	0.9 (0.062)	psi (bar)	STR73D	↓
Range Std Accuracy	500 (35)	-14.7 (-1.0)	500 (35)	5 (0.35)	psi (bar)	STR74G	↓

Note: Remote seal system pressure rating is body rating or seal rating, whichever is less.

TABLE I	Description	Selection				
Meter Body & Capillaries	a. Number of Seals	1 Remote Seal (High Side) 2 Remote Seals 1 Remote Seal (Low Side)	1 _____ 2 _____ 3 _____	● ● ●		
	b. Primary Fill Fluid (Meter body)	Silicone Oil 200 Fluorinated Oil CTFE Silicone Oil 704 NEOBEE® M-20 ¹¹	_ 1 _____ _ 2 _____ _ 3 _____ _ 4 _____	● 2 2 ● ●		
	c. Construction	Non-Wetted Adapter Head Materials				
	In-Line Gauge	316 SS Bonnet 316 SS Bonnet for Close-Couple	__ A ____ __ B ____	● 3		
	Dual Head DP	316 SS (bolt-on heads) 316 SS for Close-Couple 316 SS with all-welded meter body	__ C ____ __ D ____ __ E ____	● 3 4		
	d. Bolts and Nuts for Transmitter Heads	None Carbon Steel Bolts and Nuts 316 SS Bolts and Nuts A286 SS (NACE) Bolts and 304 SS (NACE) Nuts B7M (NACE) Bolts and 7M (NACE) Nuts	__ 0 ____ __ C ____ __ S ____ __ N ____ __ B ____	22 ● ● ● ●		
	e. Secondary Fill Fluid (capillary & seal)	No Fill Fluid Silicone Oil 200 Fluorinated Oil CTFE Silicone Oil 704 Neobee® M20 ¹¹ Sytherm® 800 ¹²	__ 0 ____ __ 1 ____ __ 2 ____ __ 3 ____ __ 4 ____ __ 5 ____	5 ● ● ● ● ●		
	f. Connection of Remote Seal to Meter Body	No Capillary, No Nipple (Specify for VAM Unit Only)		__ 0 ____	5 5	
		Capillary Length	5 feet 1.5 m	SS Armor	__ A ____	●
			10 feet 3.0 m		__ B ____	●
			15 feet 4.5 m		__ C ____	●
			20 feet 6.1 m		__ D ____	●
			25 feet 7.5 m		__ E ____	●
			35 feet 10.7 m		__ F ____	●
		Capillary Length	5 feet 1.5 m	PVC Coated SS Armor	__ G ____	●
10 feet 3.0 m			__ H ____		●	
15 feet 4.5 m			__ J ____		●	
20 feet 6.1 m	__ K ____		●			
25 feet 7.5 m	__ L ____		●			
35 feet 10.7 m	__ M ____	●				
g. Seal Option	2 inch long SS nipple close-coupled None Std Gold Plated Seal Diaph. = 50 µin Teflon Coated Seal Diaphragm - only for anti-sticking	__ 2 ____ __ 0 ____ __ 1 ____ __ 4 ____	6 6 ● 7 7 7 7			

¹¹ Limited vacuum availability.

¹² Minimum static pressure requirement. No vacuum allow ed. See Specifications 34-ST-03-88 Figure 15



In-Line Gauge



Dual Head DP



All welded

STR74G
STR73D

Note: When selecting required seal, you must specify only the 9 selections within the required seal type.

Selection


TABLE II		Description							
Seals	No Seal Attached to Core Transmitter (Specify for VAM Unit Only)			0 0 0 0 0 0 0 0	21	21			
	Seal Type	Diaphragm Diameter	Flange Size	Flange Pressure Rating ¹		Selection			
		3.5"	3"	ANSI Class 150		AFA _____	•	•	
			80mm	ANSI Class 300		AFC _____	•	•	
				DIN DN80-PN40		AFM _____	•	•	
		Wetted Material	Diaphragm		Upper Insert		Selection		
			316L SS		316L SS		___AA___	•	•
			Hastelloy® C-276		316L SS		___AB___	•	•
			Hastelloy® C-276		Hastelloy® C-276		___AC___	•	•
			Monel 400®		Monel 400®		___AE___	8	8
			Tantalum ⁵		316L SS		___AF___	8	8
		Non-Wetted Material (upper)		CS (Nickel Plated)		___1___	•	•	
		316L SS				___2___	•	•	
		Seal-Capillary Connection		Center Seal		___1___	•	•	
	Side Seal				___2___	9	9		
	Calibration Rings		None		___A___	•	•		
			316L SS		___B___	10	10		
			Hastelloy® C-276		___C___	10	10		
			Monel 400®		___D___	10	10		
			None				___0___	•	•
	Flushing Connections and Plugs ⁴ (Metal plug material will be the same as Cal. ring material if metal plug is chosen)		None		___H___	11	11		
			One 1/4" with plastic plug		___J___	11	11		
			One 1/4" with metal plug		___M___	11	11		
			Two 1/4" with plastic plugs		___N___	11	11		
			Two 1/4" with metal plugs		___P___	11	11		
			One 1/2" with plastic plug		___Q___	11	11		
			One 1/2" with metal plug		___R___	11	11		
			Two 1/2" with plastic plugs		___S___	11	11		
			Two 1/2" with metal plugs						

Table II continued next page

¹ Standard facing 125-250 AARH RF (raised face) serrated surface finish.

⁴ Plastic Plugs are TEMPORARY ONLY to protect threads and MUST be REMOVED before installation

⁵ Tantalum Upper insert has Tantalum wetted parts and 316 SS or CS non-wetted parts

Note: Remote seal system pressure rating is body rating or seal rating, whichever is less.

STR74G
STR73D

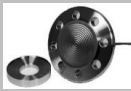
TABLE II		Description				Selection			
Seal Type	Diaphragm Diameter	Flange Size	Flange Pressure Rating ¹	Const. - See Spec. Figure 34-ST-03-104	Construction - See Spec. Figure 34-ST-03-104				
 <p>Seals (continued)</p> <p>Flush Flanged Seal with Lower</p>	2.4"	1"	ANSI 150	22	BCA_____	•	•		
			ANSI 300	22	BCC_____	•	•		
		1-1/2"	ANSI 150	22	BGA_____	•	•		
			ANSI 300	22	BGC_____	•	•		
		2"	ANSI 150	22	BDA_____	•	•		
			ANSI 300	22	BDC_____	•	•		
		3"	ANSI 150	22	BFA_____	•	•		
			ANSI 300	22	BFC_____	•	•		
		2.9"	1/2"	ANSI 150	23	CAA_____	•	•	
				ANSI 300	23	CCA_____	•	•	
			1-1/2"	ANSI 150	22	CGA_____	•	•	
				ANSI 300	22	CGC_____	•	•	
		4.1"	2"	ANSI 150	22	CDA_____	•	•	
				ANSI 300	22	CDC_____	•	•	
			1/2"	ANSI 150	22	DAA_____	•	•	
				ANSI 300	23	DCA_____	•	•	
	1-1/2"	ANSI 150	22	DGA_____	•	•			
		ANSI 300	22	DGC_____	•	•			
	3"	ANSI 150	23	DDA_____	•	•			
			22	DDC_____	•	•			
	ANSI 150	22	DFA_____	•	•				
			ANSI 300	22	DFC_____	•	•		
	Wetted Material	Diaphragm		Lower		Selection			
		316L SS	316L SS	---	BA	---	•	•	
		Hastelloy® C-276	316L SS	---	BB	---	•	•	
		Hastelloy® C-276	Hastelloy® C-276	---	BC	---	•	•	
		Monel 400®	Monel 400®	---	BE	---	8	8	
		Tantalum	316L SS	---	BF	---	8	8	
		Tantalum	Hastelloy® C-276	---	BG	---	8	8	
		Tantalum	Tantalum Clad	---	BH	---	13	13	
	Non-Wetted Material (upper, upper insert)	Upper		Upper Insert		Selection			
		316L SS	316L SS	---	4	---	•	•	
Carbon Steel	316L SS	---	5	---	•	•			
Bolts ⁶	No Selection				---	0	---	•	•
Flushing	None				---	0	---	•	•
Connections and Plugs ⁴ (Metal plug material will be the same as Lower material, if metal plug is chosen - (SS Plug for CS Lower and Tantalum Clad)	One 1/4" with plastic plug				---	H	---	•	•
	One 1/4" with metal plug				---	J	---	•	•
	Two 1/4" with plastic plugs				---	M	---	•	•
	Two 1/4" with metal plugs				---	N	---	•	•
	One 1/2" with plastic plug				---	P	---	•	•
	One 1/2" with metal plug				---	Q	---	•	•
	Two 1/2" with plastic plugs				---	R	---	•	•
Two 1/2" with metal plugs				---	S	---	•	•	
Gasket	Klinger® C-4401 (non-asbestos)				---	K	---	•	•
	Grafoil®				---	G	---	•	•
	Teflon®				---	T	---	•	•
	Gylon® 3510				---	L	---	15	15

Table II continued next page

¹ Standard facing 125-250 AARH RF (raised face) serrated surface finish.

⁶ Bolt material will be same as Upper Material. However, if Table I bolts/nuts material is NACE or B7M, seal bolt material will be 304 SS NACE.

⁴ Plastic Plugs are TEMPORARY ONLY to protect threads and MUST be REMOVED before installation

Note: Remote seal system pressure rating is body rating or seal rating, whichever is less.

STR74G
STR73D


TABLE II	Description							
Seal Type	Diaphragm Diameter	Flange Size	Flange Pressure Rating ¹		Selection			
 Flange Seal with Extended Diaphragm	2.8"	3" (2.8" OD extension)	ANSI Class 150		EFA _____	•	•	
			ANSI Class 300		EFC _____	•	•	
	DIN DN80-PN40				EFM _____	•	•	
	3.5"	4" (3.70" OD extension)	ANSI Class 150		FGA _____	•	•	
			ANSI Class 300		FGC _____	•	•	
			DIN DN100-PN40		FGP _____	•	•	
	Wetted Material	316L SS		Ext. Tube	Selection			
				316L SS	_____ EA _____	•	•	
				316L SS	_____ EB _____	•	•	
		Hastelloy [®] C-276		316L SS	_____ EC _____	•	•	
Hastelloy [®] C-276		Hastelloy [®] C-276	_____ 7 _____	•	•			
Non-Wetted Material (flange)		CS (Nickel Plated)		_____ 8 _____	•	•		
316L SS				_____ 0 _____	•	•		
Bolts		No Selection		_____ 2 _____	•	•		
Extension Length		2"		_____ 4 _____	•	•		
		4"		_____ 6 _____	•	•		
		6"		_____ 0 _____	•	•		
No Selection	No Selection	No Selection						

Table II continued below

STR74G
STR73D


TABLE II	Description							
Seal Type	Diaphragm Diameter	Flange Size	Flange Pressure Rating Dependent on Customer Flange ¹		Selection			
 Pancake Seal	3.5"	3"	ANSI Class 150/300/600		GFA _____	•	•	
	Wetted Material		Diaphragm		Body			
			316L SS	316L SS	_____ GA _____	•	•	
			Hastelloy [®] C-276	316L SS	_____ GB _____	•	•	
			Hastelloy [®] C-276	Hastelloy [®] C-276	_____ GC _____	•	•	
			Monel 400 [®]	Monel 400 [®]	_____ GE _____	8	8	
	Tantalum		Tantalum ⁷	_____ GG _____	8	8		
	Non-Wetted Material		No Selection		_____ 0 _____	•	•	
	Bolts		No Selection		_____ 0 _____	•	•	
Calibration Rings		None		_____ A _____	•	•		
		316L SS		_____ B _____	10	10		
		Hastelloy [®] C-276		_____ C _____	10	10		
		Monel 400 [®]		_____ D _____	10	10		
Flushing Connections and Plugs ⁴ (Metal plug material will be the same as Cal. Ring material, if metal plug is chosen)		None		_____ 0 _____	•	•		
		One 1/4" with plastic plug		_____ H _____	11	11		
		One 1/4" with metal plug		_____ J _____	11	11		
		Two 1/4" with plastic plugs		_____ M _____	11	11		
		Two 1/4" with metal plugs		_____ N _____	11	11		
		One 1/2" with plastic plug		_____ P _____	11	11		
		One 1/2" with metal plug		_____ Q _____	11	11		
		Two 1/2" with plastic plugs		_____ R _____	11	11		
		Two 1/2" with metal plugs		_____ S _____	11	11		

Table II continued next page

¹ Standard facing 125-250 AARH RF (raised face) serrated surface finish.

⁴ Plastic Plugs are TEMPORARY ONLY to protect threads and MUST be REMOVED before installation

⁷ Tantalum Body has Tantalum wetted parts and 316 SS non-wetted parts

Note: Remote seal system pressure rating is body rating or seal rating, whichever is less.


TABLE II		Description					
Seals (continued)	Seal Type	Diaphragm Diameter	Flange Size	Flange Pressure Rating ¹	Selection		
						3.5"	Taylor Wedge 5" O.D.
		Wetted Material	Diaphragm	Body	Selection		
			316L SS	316L SS	___ HA ___	•	
			Hastelloy® C-276	316L SS	___ HB ___	•	
			Hastelloy® C-276	Hastelloy® C-276	___ HC ___	•	
		Non-Wetted Material	No Selection		___ 0 ___	•	
		Bolts	No Selection		___ 0 ___	•	
		Styles	No Selection		___ 0 ___	•	
		No Selection	No Selection		___ 0 ___	•	

Table II continued below


TABLE II		Description						
Seals (continued)	Seal Type	Diaphragm Diameter	Threaded Process Connection Size (NPT Female)	Pressure Rating		Selection		
				CS Bolts	304 SS Bolts			
		2.4"	1/2 NPT	2,500 psi	1,250 psi	JJG _____	•	•
3/4 NPT			JKG _____			•	•	
1 NPT			JLG _____			•	•	
		2.9"	1/2 NPT	2,500 psi	1,250 psi	KJG _____	•	•
3/4 NPT			KKG _____			•	•	
1 NPT			KLG _____			•	•	
		4.1"	1/2 NPT	1,500 psi	750 psi	LJG _____	•	•
3/4 NPT			LKG _____			•	•	
1 NPT			LLG _____			•	•	
		Wetted Material	Diaphragm	Lower	Selection			
			316L SS	Carbon Steel	___ JA ___	•	•	
			316L SS	316L SS	___ JB ___	•	•	
			Hastelloy® C-276	316L SS	___ JC ___	•	•	
			Hastelloy® C-276	Hastelloy® C-276	___ JD ___	•	•	
			Monel 400®	Monel 400®	___ JE ___	8	8	
			Tantalum	316L SS	___ JF ___	8	8	
		Tantalum	Hastelloy® C-276	___ JG ___	8	8		
		Non-Wetted Material (upper)	CS (Nickel Plated) 316 Stainless Steel		___ A ___	•	•	
					___ C ___	17	17	
		Bolts ⁸	Carbon Steel 304 SS		___ C ___	•	•	
					___ D ___	•	•	
		Flushing	None		___ 0 ___	•	•	
		Connections and Plugs ⁴ (Metal plug material will be the same as Lower material, if metal plug is chosen - (SS Plug for CS Lower and Tantalum Clad)	One 1/4" with plastic plug		___ H ___	•	•	
			One 1/4" with metal plug		___ J ___	•	•	
			Two 1/4" with plastic plugs		___ M ___	•	•	
			Two 1/4" with metal plugs		___ N ___	•	•	
			One 1/2" with plastic plug		___ P ___	18	18	
			One 1/2" with metal plug		___ Q ___	18	18	
			Two 1/2" with plastic plugs Two 1/2" with metal plugs		___ R ___	18	18	
					___ S ___	18	18	
		Gasket	Klinger® C-4401 (non-asbestos)		___ K ___	•	•	
			Grafoil®		___ G ___	•	•	
			Teflon®		___ T ___	•	•	
			Gylon® 3510		___ L ___	15	15	

Table II continued next page

¹ Standard facing 125-250 AARH RF (raised face) serrated surface finish.

⁴ Plastic Plugs are TEMPORARY ONLY to protect threads and MUST be REMOVED before installation

⁸ If Table I Bolts and Nuts material option is NACE, Bolts and Nuts will ship with Alloy Steel NACE and MAWP may change.

Note: Remote seal system pressure rating is body rating or seal rating, whichever is less.

STR74G
STR73D



TABLE II		Description								
Seals (continued)	Seal Type	Diaphragm Diameter	Flange Size	Pressure Rating		Selection				
		1.9"	2"	Customer clamp rating or 600 psi, whichever is less			MD0 _____	20	19	
		2.4"	2-1/2"				NE0 _____	19	19	
		2.9"	3"				PF0 _____	19	19	
		4.1"	4"				QG0 _____	19	19	
		Wetted Material				Diaphragm	Body	Selection		
						316L SS	316L SS	___ N A ___	•	•
		Non-Wetted Material		No Selection				_____ 0 _____	•	•
		Bolts		No Selection				_____ 0 _____	•	•
Styles		Tri-Clover Tri-Clamp®				_____ 8 _____	•	•		
Gasket		No Selection				_____ 0 _____	•	•		

Table II continued below

STR74G
STR73D

TABLE II		Description								
Seals (continued)	Seal Type	Diaphragm Diameter	Size and Bolt Pattern	Seal Pressure Rating		Selection				
				C.S. Bolts	304 SS Bolts					
		2.4" 8-Bolt Design	for 3" Pipe ≥ 4" pipe	2,500 psi	1,250 psi			RFK _____	•	•
								RGK _____	•	•
		2.4" 6-Bolt Design	for 3" Pipe ≥ 4" pipe	2,000 psi	1,000 psi			RPK _____	•	•
								RQK _____	•	•
		Wetted Material				Diaphragm	Lower Housing	Selection		
						316L SS	Carbon Steel	___ RA ___	•	•
						316L SS	316L SS	___ RB ___	•	•
						Hastelloy® C-276	316L SS	___ RC ___	•	•
				Hastelloy® C-276	Hastelloy® C-276	___ RD ___	•	•		
				316L SS	N/A-Body Only ¹⁰	___ SB ___	•	•		
				Hastelloy® C-276	N/A-Body Only ¹⁰	___ SC ___	•	•		
Non-Wetted Material				Body	Bolts ^{10,11}	Selection				
				Carbon Steel	Carbon Steel	___ B ___	8	8		
				316L SS	316 SS	___ C ___	•	•		
Bolts		No Selection				_____ 0 _____	•	•		
Styles		No Selection				_____ 0 _____	•	•		
Gasket						_____ K _____	•	•		
						_____ G _____	•	•		
						_____ T _____	•	•		
						_____ L _____	•	•		

⁹ All sanitary seals have dairy grade 3A approval.

¹⁰ Bolts are not included with "body only" selection.

¹¹ If Table I Bolts and Nuts material option is NACE, seal bolt material will be 304 SS NACE.

Note: Remote seal system pressure rating is body rating or seal rating, whichever is less.

TABLE III Agency Approvals (see data sheet for Approval Code Details)	
Approvals	No Approvals Required
	FM Explosion proof, Intrinsically Safe, Non-incendive, & Dustproof
	CSA Explosion proof, Intrinsically Safe, Non-incendive, & Dustproof
	ATEX Explosion proof, Intrinsically Safe & Non-incendive
	IECEX Explosion proof, Intrinsically Safe & Non-incendive
	SAEx/CCoE Explosion proof, Intrinsically Safe & Non-incendive
	INMETRO Explosion proof, Intrinsically Safe & Non-incendive
	NEPSI Explosion proof, Intrinsically Safe & Non-incendive
	KOSHA Explosion proof, Intrinsically Safe & Non-incendive
	EAC Customs Union(Russia,Belarus,Kazakhstan)Ex Approval,Flame proof, Intrinsically Safe

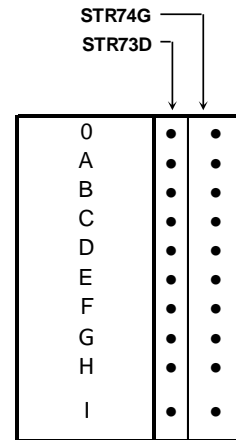


TABLE IV TRANSMITTER ELECTRONIC SELECTIONS			
a. Electronic Housing Material & Connection Type	Material	Connection	Lightning Protection
	Polyester Powder Coated Aluminum	1/2 NPT	None
	Polyester Powder Coated Aluminum	M20	None
	Polyester Powder Coated Aluminum	1/2 NPT	Yes
	Polyester Powder Coated Aluminum	M20	Yes
	316 Stainless Steel (Grade CF8M)	1/2 NPT	None
	316 Stainless Steel (Grade CF8M)	M20	None
	316 Stainless Steel (Grade CF8M)	1/2 NPT	Yes
b. Output/ Protocol	Analog Output		Digital Protocol
	4-20mA dc		HART Protocol
	4-20mA dc none		DE Protocol Foundation Fieldbus
c. Customer Interface Selections	Indicator	Ext Zero, Span & Config Buttons	Languages
	None	None	None
	None	Yes (Zero/Span Only)	None
	Basic	None	English
	Basic	Yes	English
	Standard (w/internal Zero, Span & Conf Buttons)	None	English

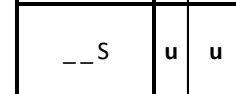
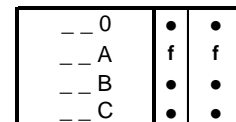
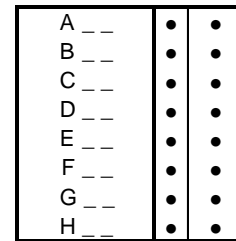


TABLE V CONFIGURATION SELECTIONS			
a. Application Software	Diagnostics		
	Standard Diagnostics		
b. Output Limit, Failsafe & Write Protect Settings	Write Protect	Fail Mode	High & Low Output Limits ³
	Disabled	High> 21.0mAdc	Honeywell Std (3.8 - 20.8 mAdc)
	Disabled	Low< 3.6mAdc	Honeywell Std (3.8 - 20.8 mAdc)
	Enabled	High> 21.0mAdc	Honeywell Std (3.8 - 20.8 mAdc)
	Enabled	Low< 3.6mAdc	Honeywell Std (3.8 - 20.8 mAdc)
	Enabled	N/A	N/A Fieldbus
c. General Configuration	Factory Standard		
	Custom Configuration (Unit Data Required from customer)		

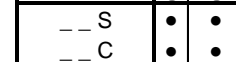
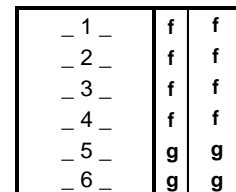
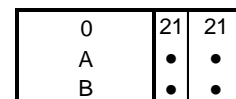


TABLE VI CALIBRATION & ACCURACY SELECTIONS			
Accuracy and Calibration	Accuracy	Calibrated Range	Calibration Qty
	NA	None	None
	Standard	Factory Std	Single Calibration
	Standard	Custom (Unit Data Required)	Single Calibration



³ NAMUR Output Limits 3.8 - 20.5mAdc can be configured by the customer or select custom configuration Table Vc

TABLE VII		ACCESSORY SELECTIONS	
a. Mounting Bracket	Bracket Type	Material	
	None	None	
	Angle Bracket	Carbon Steel	
	Angle Bracket	304 SS	
	Angle Bracket	316 SS	
	Marine Approved Bracket	Carbon Steel	
	Marine Approved Bracket (In - Line)	Carbon Steel	
	Marine Approved Bracket	304 SS	
	Marine Approved Bracket (In - Line)	304 SS	
	Flat Bracket	Carbon Steel	
Flat Bracket	304 SS		
Flat Bracket	316 SS		
b. Customer Tag	Customer Tag Type		
	No customer tag		
	One Wired Stainless Steel Tag (Up to 4 lines 26 char/line) Two Wired Stainless Steel Tag (Up to 4 lines 26 char/line)		
c. Unassembled Conduit Plugs & Adapters	Unassembled Conduit Plugs & Adapters		
	No Conduit Plugs or Adapters Required		
	1/2 NPT Male to 3/4 NPT Female 316 SS Certified Conduit Adapter		
	1/2 NPT 316 SS Certified Conduit Plug		
	M20 316 SS Certified Conduit Plug		
	Minifast® 4 pin (1/2 NPT) Minifast® 4 pin (M20)		

0	---	•	•
1	---	•	•
2	---	•	•
3	---	•	•
8	---	y	•
9	---	•	•
4	---	y	•
A	---	•	•
5	---	•	•
6	---	•	•
7	---	•	•

_	0	---	•	•
_	1	---	•	•
_	2	---	•	•

_	A0	---	•	•
_	A2	---	n	n
_	A6	---	n	n
_	A7	---	m	m
_	A8	---	n	n
_	A9	---	m	m

TABLE VIII		OTHER Certifications & Options : (String in sequence comma delimited (XX, XX, XX,....))	
Certifications & Warranty	None - No other options		
	NACE MR0175; MR0103; ISO15156 (FC33338) Process wetted parts only		
	NACE MR0175; MR0103; ISO15156 (FC33339) wetted and non-wetted parts		
	Marine (DNV,ABS,BV,KR,LR)		
	EN10204 Type 3.1 Material Traceability (FC33341)		
	Certificate of Conformance (F3391)		
	Calibration Test Report & Certificate of Conformance (F3399)		
	Certificate of Origin (F0195)		
	FMEDA (SIL 2/3) Certification (FC33337)		
	Over-Pressure Leak Test Certificate (1.5X MAWP) (F3392)		
	Cert Clean for O2 or CL2 service per ASTM G93		
	Extended Warranty Additional 1 year		
	Extended Warranty Additional 2 years		
	Extended Warranty Additional 3 years		
Extended Warranty Additional 4 years			

00	*	*	
FG	•	•	b
F7	c	c	
MT	d	d	
FX	•	•	
F3	•	•	
F1	•	•	b
F5	•	•	
FE	j	j	
TP	•	•	
OX	e	e	
01	•	•	
02	•	•	
03	•	•	b
04	•	•	

TABLE IX		Manufacturing Specials	
Factory	Factory Identification		

0	0	0	0	•	•
---	---	---	---	---	---

MODEL RESTRICTIONS

Restriction Letter	Available Only With		Not Available With	
	Table	Selection(s)	Table	Selection(s)
b	Select only one option from this group			
d			VIIa	1,2,3,5,6,7 ___
c	Id	___ 0, N, B ___		
e	Ib	_ 2 _ 2 _		
f			IVb	_ F _
g			IVb	_ H, D _
j	IVb	_ H _	Vb	_ 1,2,6 _
m	IVa	B, D, F, H ___		
n	IVa	A, C, E, G ___		
u	IVb	_ H _		
y			Ic	_ E _ _ _
2	Ie 0		
	 2		
	 4		
3	If	_____ 2 _	Ia	2 _ _ _ _ _
4	I	2 _ 0 _ _		
5	II	000000000	VIII	FG, F7, FX, OX, TP, MT, F1
6	I	_ _ B, D _ _ _	Ia	2 _ _ _ _ _
7			II	AF
				BF
				BG
				BH
				GG
				JF
8			VIII	FG, F7
9	II AA2		
	 AB2		
10			II	_____ 0
11			II	_____ A _
13	II	_____ 0 _	II	_____ T
			VIII	FG, F7
15	II BF		
	 BG		
	 BH		
	 JF		
	 JG		
16	I	2 _ _ _ _ _		
17			II	_____ JA _ _ _
18			II	JJG
				JKG
				JLG
19			If	_____ 2 _
20	If	_____ A, G _		
21	I	_____ 000		
22	Ic	_ _ E _ _ _		
23			II	000000000

FM ApprovalsSM is a service mark of FM Global
 Hastelloy[®] is a registered trademark of Haynes International
 Monel 400[®] is a registered trademark of Special Metals Corporation.
 HART[®] is a registered trademark of HART Communication Foundation.
 FOUNDATIONTM Fieldbus is a registered trademark of Fieldbus Foundation.
 Teflon[®] is a registered trademark of DuPont.
 Neobee[®] is a registered trademark of Stepan Company.
 Syltherm[®] 800 is a Trademark of Dow Corning Corporation
 Klinger[®] C-4401 is a registered trademark of THERMOSEAL, INC
 GRAFOIL[®] is a registered trademarks of GrafTech International Holdings Inc
 Gylon[®] 3510 is registered trademark of Garlock Sealing Technologies
 Tri-Clover Tri-Clamp[®] is a registered trademark of Alfa-Laval

Sales and Service

For application assistance, current specifications, pricing, or name of the nearest Authorized Distributor, contact one of the offices below.

ASIA PACIFIC

Honeywell Process Solutions,
(TAC) hfs-tac-support@honeywell.com

Australia

Honeywell Limited
Phone: +(61) 7-3846 1255
FAX: +(61) 7-3840 6481
Toll Free 1300-36-39-36
Toll Free Fax:
1300-36-04-70

China – PRC - Shanghai

Honeywell China Inc.
Phone: (86-21) 5257-4568
Fax: (86-21) 6237-2826

Singapore

Honeywell Pte Ltd.
Phone: +(65) 6580 3278
Fax: +(65) 6445-3033

South Korea

Honeywell Korea Co Ltd
Phone: +(822) 799 6114
Fax: +(822) 792 9015

EMEA

Honeywell Process Solutions,
Phone: + 80012026455 or
+44 (0)1344 656000

Email: (Sales)

FP-Sales-Apps@Honeywell.com

or

(TAC)

hfs-tac-support@honeywell.com

AMERICA'S

Honeywell Process Solutions,
Phone: (TAC) 1-800-423-9883 or
215/641-3610
(Sales) 1-800-343-0228

Email: (Sales)

FP-Sales-Apps@Honeywell.com

or

(TAC)

hfs-tac-support@honeywell.com

Specifications are subject to change without notice.

For more information

To learn more about SmartLine Transmitters,
visit www.honeywellprocess.com
Or contact your Honeywell Account Manager

Process Solutions

Honeywell
1250 W Sam Houston Pkwy S
Houston, TX 77042

Honeywell Control Systems Ltd
Honeywell House, Skimped Hill Lane
Bracknell, England, RG12 1EB

Shanghai City Centre, 100 Jungi Road
Shanghai, China 20061

www.honeywellprocess.com

The Honeywell logo is displayed in a bold, red, sans-serif font.

34-ST-03-104
November 2018
©2018 Honeywell International Inc.