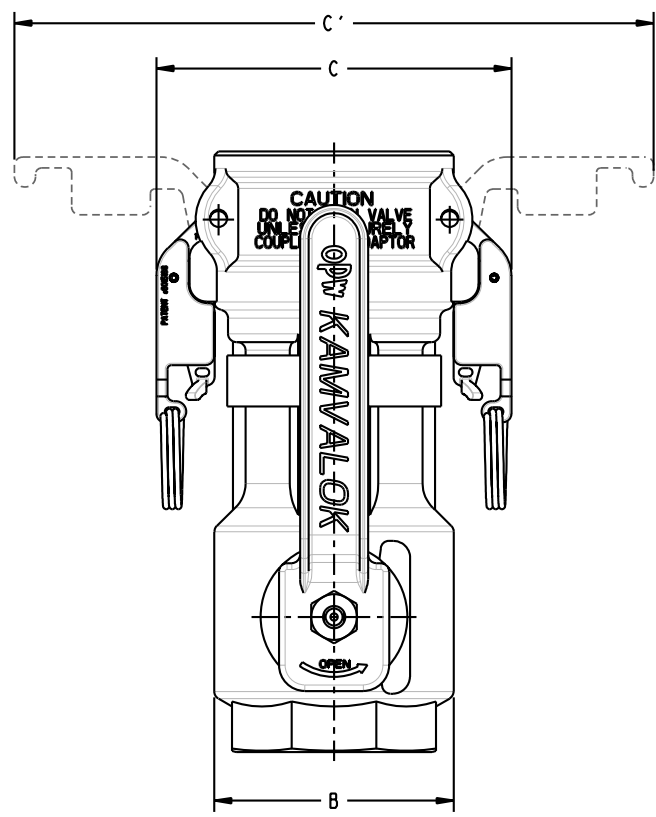
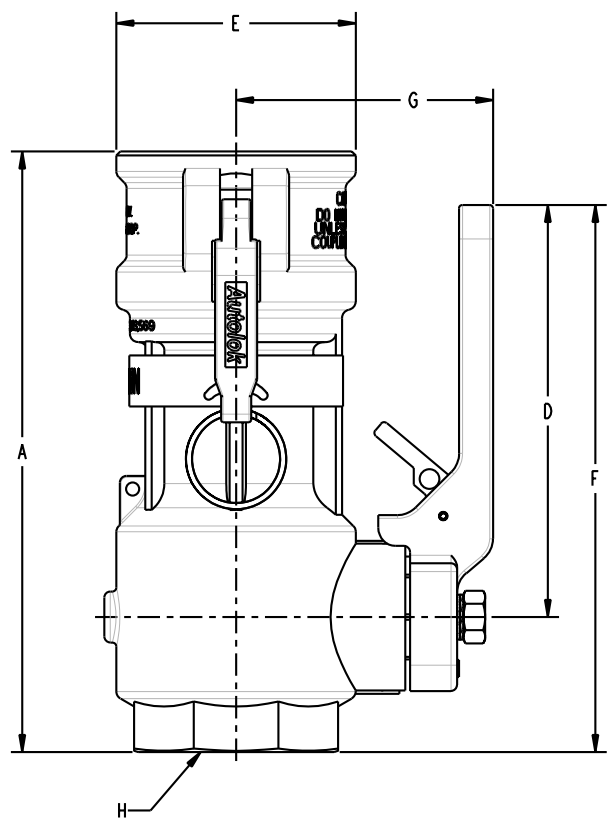


THIS DRAWING IS NOT TO BE SCALED. FOR ADDITIONAL INFORMATION, PLEASE CONTACT OUR ENGINEERING DEPT.

REVISIONS					
LTR	ECN #	DESCRIPTION	DRAWN	APPROVED	DATE
REL	41578	-	JPR		01-18-08



SIZES (APPROXIMATE)		1-1/2"	2"	3"
A	LENGTH OF BODY	8.00" (203mm)	8.81" (224mm)	10.03" (255mm)
B	DIAMETER OF BODY	3.12" (79mm)	3.52" (89mm)	5.50" (140mm)
C	DISTANCE ACROSS ARMS (CLOSED)	4.75" (121mm)	5.22" (133mm)	7.34" (186mm)
C'	DISTANCE ACROSS ARMS (OPEN)	8.94" (227mm)	9.41" (239mm)	14.78" (375mm)
D	Ø OF SHAFT TO END OF LEVER	6.06" (154mm)	6.06" (154mm)	6.06" (154mm)
E	DIAMETER OF COUPLER END	3.12" (79mm)	3.52" (89mm)	5.50" (140mm)
F	LENGTH FROM PIPE END TO END OF LEVER	7.98" (203mm)	8.03" (204mm)	8.56" (217mm)
G	Ø OF COUPLER TO TOP OF LEVER	3.56" (90mm)	3.75" (95mm)	4.53" (115mm)
H	PIPE THREAD	1.50" (DN40)	2.00" (DN50)	3.00" (DN80)

CONFIDENTIAL THIS DOCUMENT CONTAINS INFORMATION WHICH IS PROPRIETARY TO OPW, AND SHOULD BE PROTECTED ACCORDINGLY.

DESCRIPTION: **KAMVALOK COUPLER ASSEMBLY**

SIGNATURES	NO-DA-YR	REV:	PART NUMBER: 1700DL	 A BOZEL Resources Company Lebanon, Ohio 45036 USA 3D GENERATED DRAWING
DRAWN: JPR	01-18-08	REL		
CHECKED: NAC	01-25-08	SIZE: D		
MATERIAL:	WEIGHT:	SCALE: NONE	SHEET 1 OF 1	