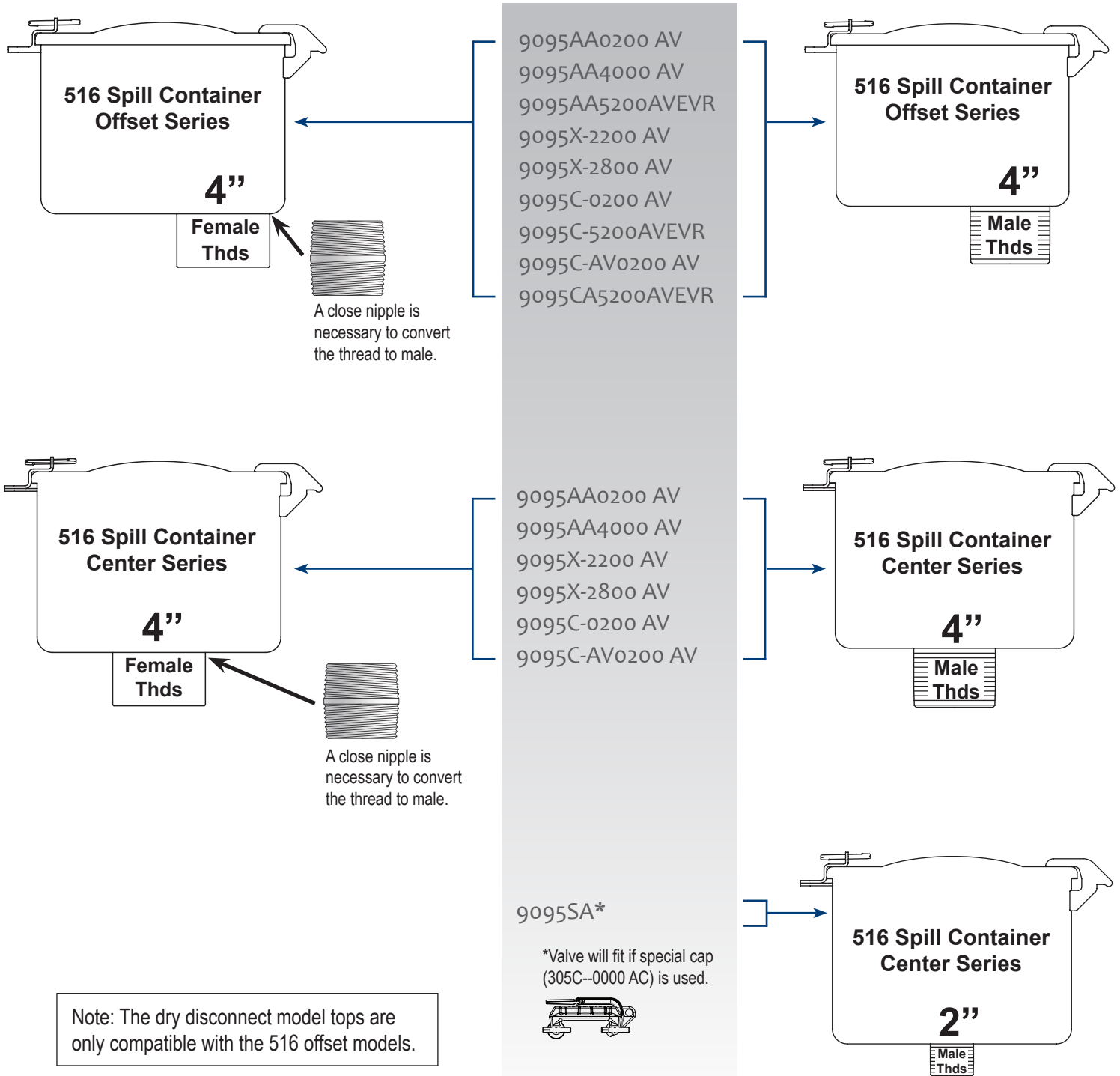




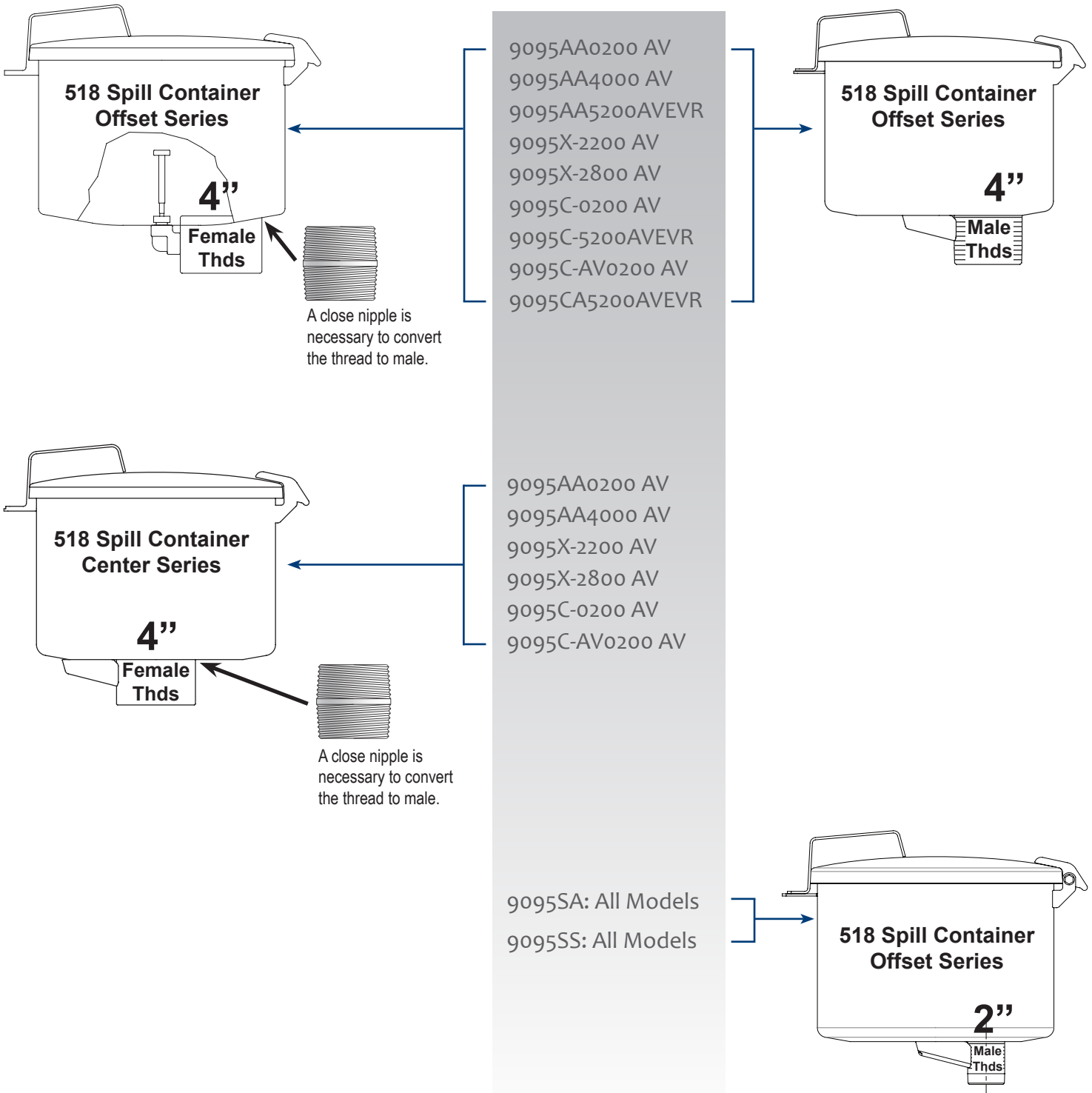
516 Spill Containers



518 Spill Containment and corresponding Overfill Prevention Valves on next page.



518 Spill Containers

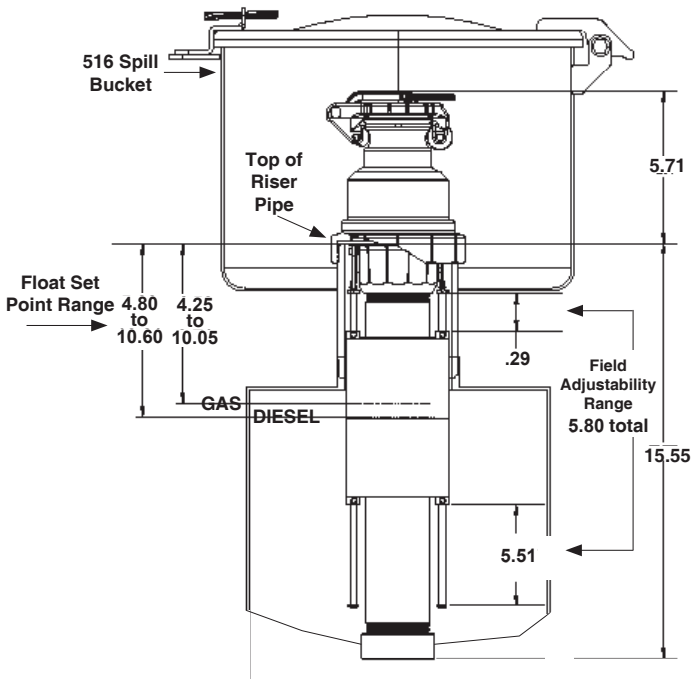


Note: The 518 is not currently approved by CARB due to the drain.

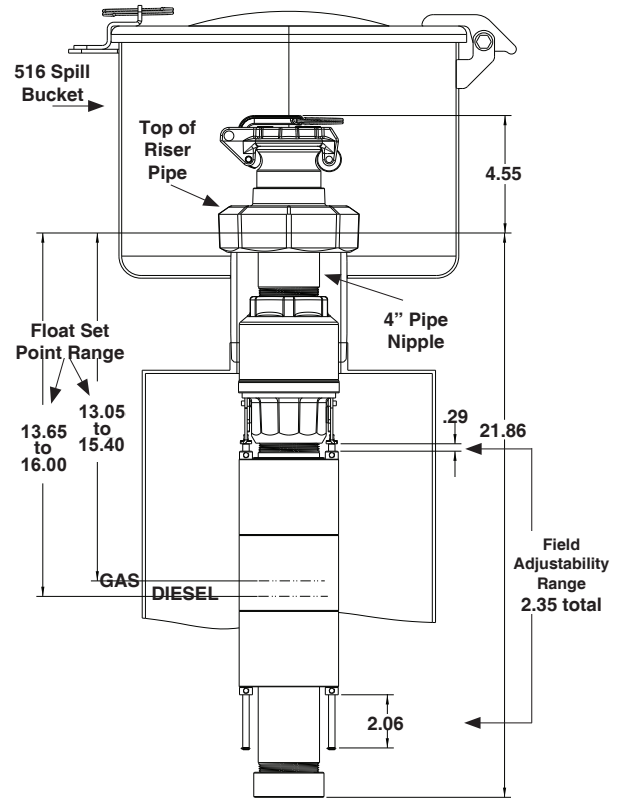
Installation diagrams on next page.



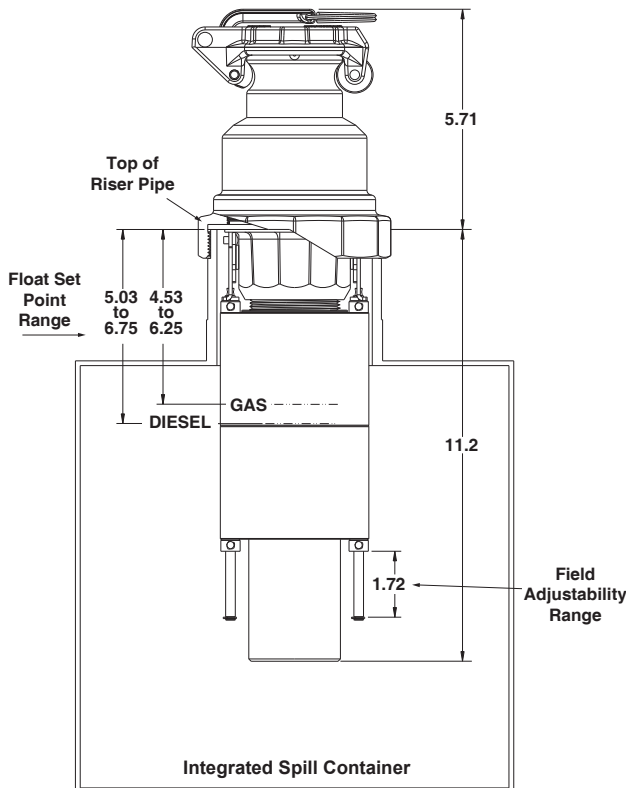
Installation Diagrams



9095X-2200 AV



9095AA0200 AV



9095X-1100 AV

Note: The 9095X-1100 and 9095X-6100 models are for use primarily with integrated spill containers. (The nipple and tank bung allocate the space required for the floats.)