

WELL FOR MULTI-ANGLE INDUSTRIAL THERMOMETER ITA900 AND ITA900SD MODEL WEL

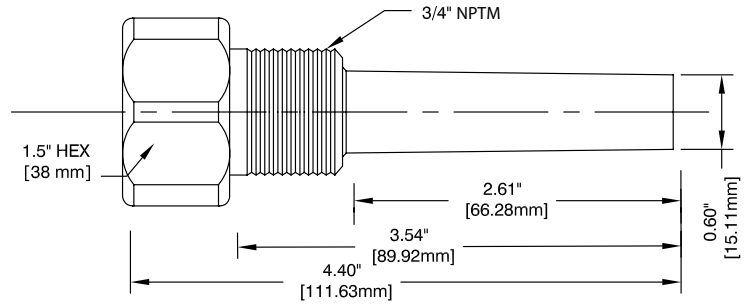


Diagram WEL-01

Illustrated model: WEL-01BR

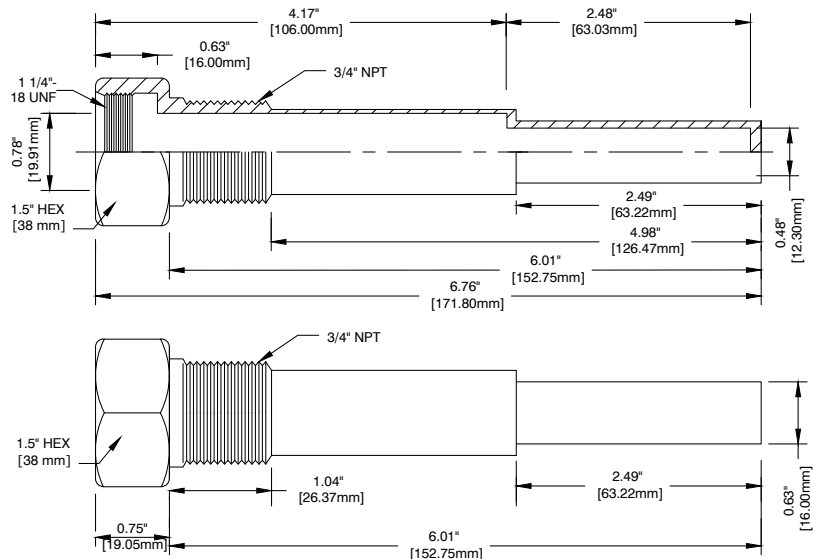
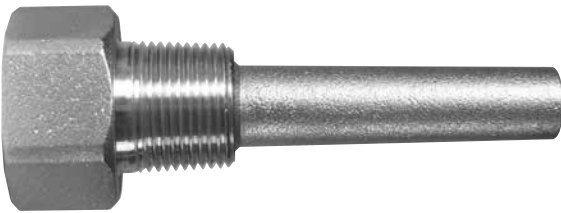


Diagram WEL-02

Specifications

| | |
|-------------|--|
| Type: | For use with 9 in (928 mm) industrial thermometer, solar digital thermometer 3 ½ in (90 mm) and 6 in (150 mm) stem |
| Material: | Brass, 304 or 316 stainless steel |
| Connection: | 1 ¼ in - 18 UNF thermometer connection and ¾ in nptm process connection |

Applications

For use in all types of commercial buildings, institutions, industrial buildings, and hospitals, where a separable socket is required in order to create a seal.

Dimensions as per diagram

| Total length | Thermometer connection | Process connection | Material | Insertion length | Lagging | Product code |
|--------------------|------------------------|--------------------|----------|------------------|----------------|--------------|
| 4.40 in (111.6 mm) | 1 ¼ in UNF | ¾ in nptm | Brass | 2.5 in (63 mm) | | WEL-01BR |
| 4.40 in (111.6 mm) | 1 ¼ in UNF | ¾ in nptm | SS304 | 2.5 in (63 mm) | | WEL-01SS304 |
| 4.40 in (111.6 mm) | 1 ¼ in UNF | ¾ in nptm | SS316 | 2.5 in (63 mm) | | WEL-01SS316 |
| 6.75 in (172 mm) | 1 ¼ in UNF | ¾ in nptm | Brass | 5 in (127 mm) | | WEL-02BR |
| 6.75 in (172 mm) | 1 ¼ in UNF | ¾ in nptm | SS304 | 5 in (127 mm) | | WEL-02SS304 |
| 6.75 in (172 mm) | 1 ¼ in UNF | ¾ in nptm | SS316 | 5 in (127 mm) | | WEL-02SS316 |
| 4.25 in (108 mm) | 1 ¼ in UNF | ½ in nptm | Brass | 1.75 in (45 mm) | 1 in (25 mm) | WEL-06BR |
| 4.25 in (108 mm) | 1 ¼ in UNF | ½ in nptm | SS304 | 1.75 in (45 mm) | 1 in (25 mm) | WEL-06SS304 |
| 6.75 in (172 mm) | 1 ¼ in UNF | ¾ in nptm | SS304 | 2.5 in (63 mm) | 2.5 in (63 mm) | WEL-07SS304 |

**WELL FOR MULTI-ANGLE INDUSTRIAL THERMOMETER ITA900 AND ITA900SD
MODEL WEL**

Illustrated model: WEL-06BR

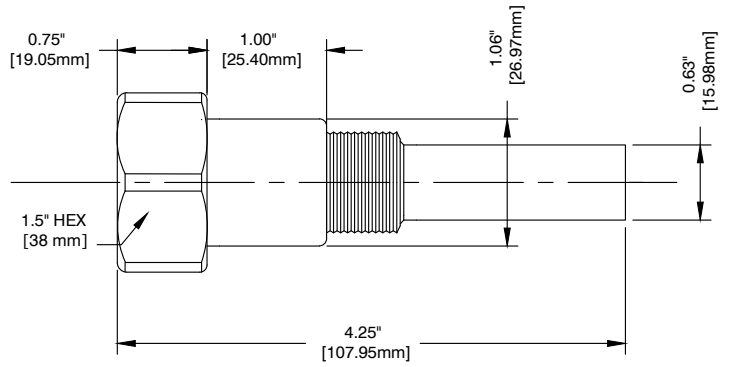
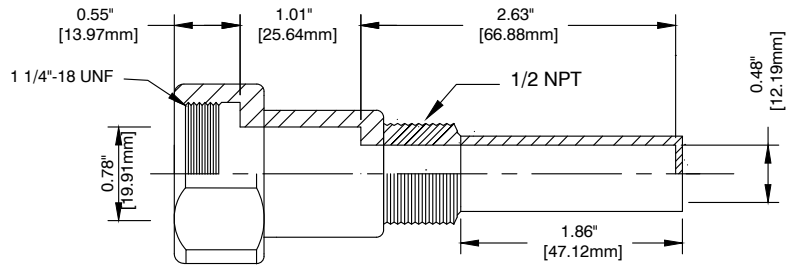


Diagram: WEL-06

Illustrated model: WEL-07SS304

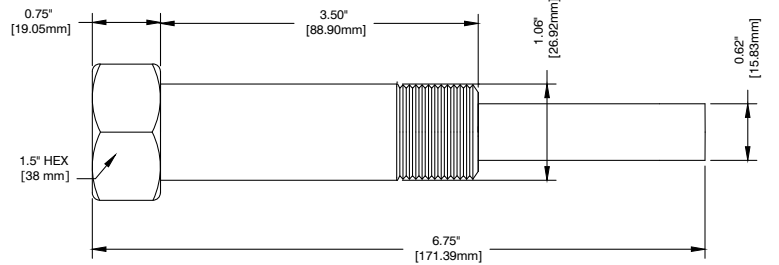
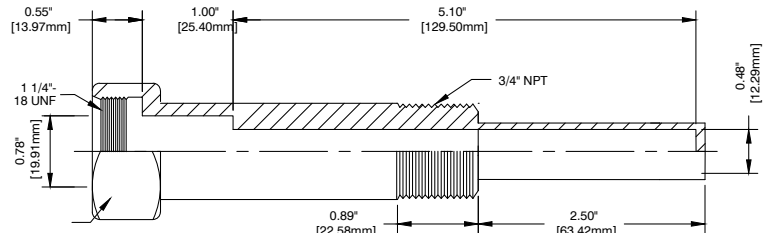


Diagram: WEL-07