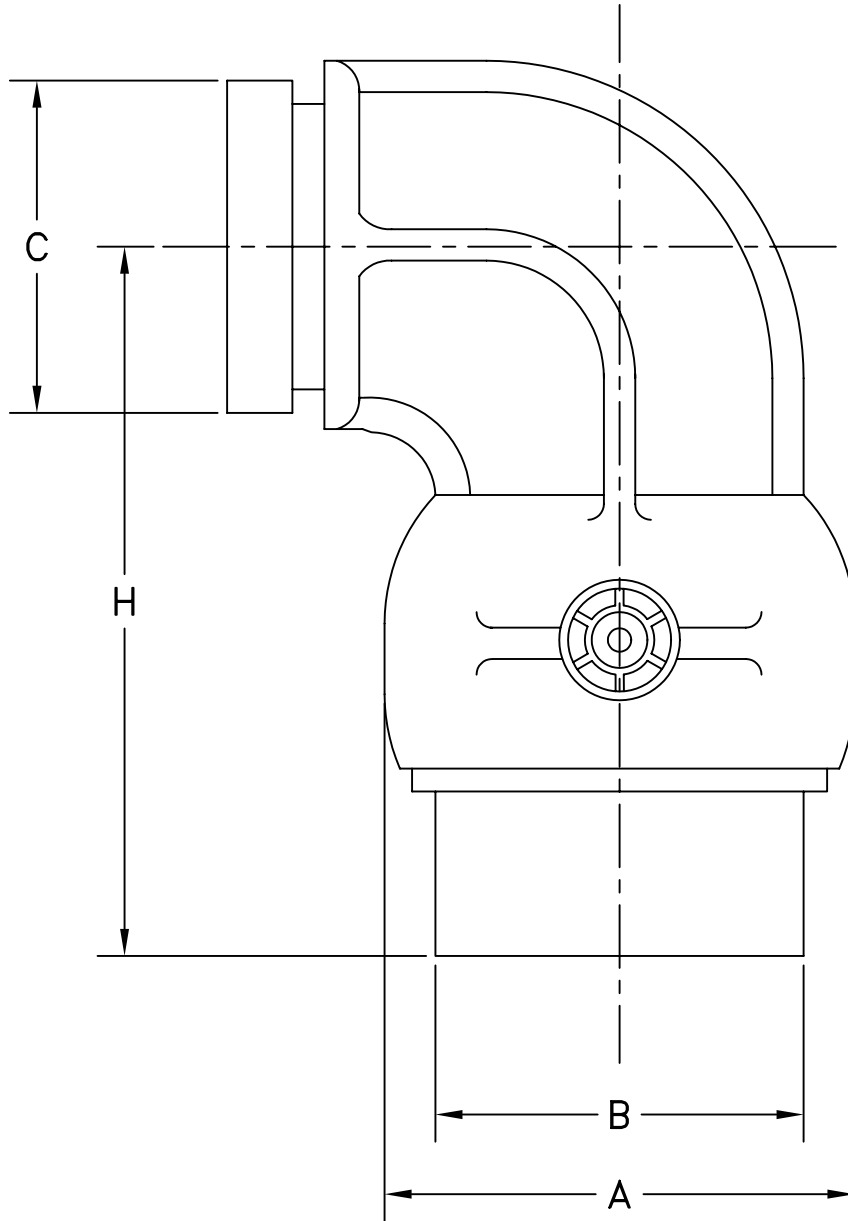


MATERIAL:  
ALUMINUM (2")

OPW Engineered Systems

STYLE 30VO SWIVEL JOINT-CAST



SIZE	2" X 2"
A	3-3/4"
B	2-15/16"
C	2-3/8"
G	3-1/8"
H	5-5/8"