

# Grounding Solutions

## OPW LOADING-RACK EQUIPMENT

### Convenient and Simple to Order

OPW has made it easy and convenient for you to select loading-rack ground verification equipment for your operations. We have reduced the complexity of ordering by offering a standard package.

### Features and Benefits

- Easy to install and use
- Chassis is contained in a small explosion-proof enclosure
- Clamp's carbide-tipped contacts bite through paint and rust to ensure proper grounding
- LED lamps for long life and reliability
  - 100,000-hour minimum
- Suitable for top and bottom loading
- Backed by OPW's warranty and guarantee
- OPW technical support service

For additional options, see our rack-equipment sales guide.



Call (800) 547-9393  
for more information.

[opw-es.com](http://opw-es.com)

ENGINEERING | WHAT'S NEXT

Ground  
Verification  
Monitor



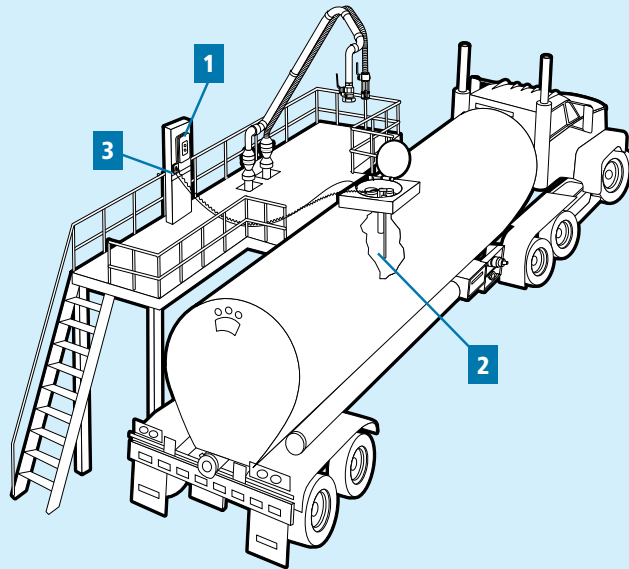
Junction  
Box



Ground  
Verification  
Clamp



## Tank-Truck Grounding Solutions



OPW recommends the use of our **Junction Boxes** for all installations. In the event of a pull away or damaged ground clamp, the Junction Box allows for fast, easy repairs without the need to turn off power or open the explosion-proof housing. Getting the rack back operating quickly.

### The OPW Grounding Solutions Package Includes:

1



**8030-120\***  
**Ground Verification Monitor**  
with Red/Green Status Lights, 120-Volt

2



**7500-7500**  
**Junction Box**  
for Optic, Thermistor and Ground Verification Plug & Cord Sets (Non-Breakaway)

3



**7720-7720**  
**Ground Verification Clamp**  
with 40' straight cord

Part No.: OPW-GRND1

\*also available in 240V version (Package p/n OPW-GRND2)

### Ordering Comparison Chart

Part Number		Description
OPW	Scully	
8030-120	08820	Ground Verification Monitor, 120 Volt
8030-240	08508	Ground Verification Monitor, 240 Volt
7500-7500	32319	Junction Box for Optic, Thermistor and Ground Verification
7720-7720	32665	Clamp and Cable Assembly, 40' Straight Cable
7720-COIL	31766	Clamp and Cable Assembly, 30' Coiled Cable

CONTACT YOUR SALES REPRESENTATIVE FOR MORE INFORMATION OR CALL (800) 547-9393.