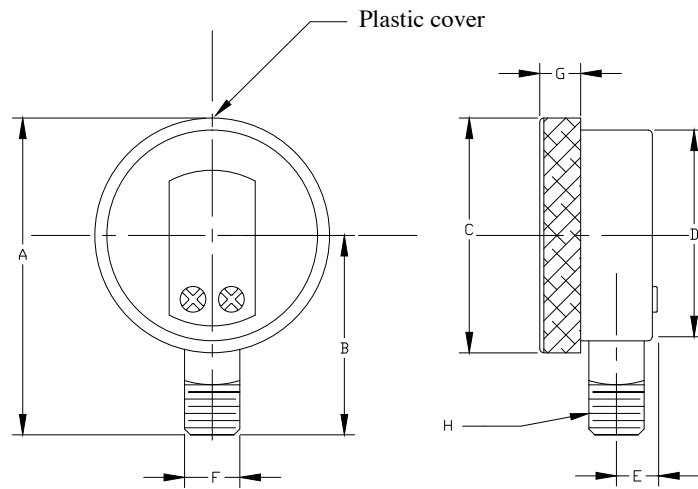


## WELDING GAUGES MODELS WB AND WSS

Illustrated model: WB



### Specifications

Case:	Polished brass for WB, 316 stainless steel for WSS
Dial:	White aluminum with psi graduations in black and bar in blue with pictogram "use no oil"
Ring:	Screw-on plexiglass
Pointer:	Steel painted black
Connection:	¼ in nptm bottom, brass for WB ¼ in nptm bottom, 316 stainless steel for WSS
Wetted parts:	Brass for WB, 316 stainless steel for WSS
Bourdon tube:	Phosphor bronze for WB, 316 stainless steel for WSS
Maximum process and ambient temperature:	-40 à 150°F / -40 à 65°C
Operating pressure:	Maximum of 75 % of full scale value
Overpressure limit:	25 % over full scale value
Accuracy:	ASME B40.100(B40.1), Grade B ± 2 %

### Applications

For pressure reading on oxygen and acetylene bottles regulator.

To order, use the code in the corresponding column

Size	2 in (50 mm)		2 1/2 in (63 mm)	
	1/4 in nptm bottom			
Connection				
Material	brass	316 stainless steel	brass	316 stainless steel
Range				
0 to 30 psi/bar	200WB-10B	200WSS316-10B	250WB-10B	250WSS316-10B
0 to 100 psi/bar	200WB-12B	200WSS316-12B	250WB-12B	250WSS316-12B
0 to 200 psi/bar	200WB-14B	200WSS316-14B	250WB-14B	250WSS316-14B
0 to 400 psi/bar	200WB-23B	200WSS316-23B	250WB-23B	250WSS316-23B
0 to 1,000 psi/bar	200WB-17B	200WSS316-17B	250WB-17B	250WSS316-17B
0 to 4,000 psi/bar	200WB-28B	200WSS316-28B	250WB-28B	250WSS316-28B
0 to 5,000 psi/bar	200WB-20B	200WSS316-20B	250WB-20B	250WSS316-20B

### Dimensions as per diagram

Model	A	B	C	D	E	F	G	H
200WB/200WSS316	3.05 in (77.47 mm)	1.90 in (48.26 mm)	2.3 in (58.29 mm)	2.06 in (52.32 mm)	0.35 in (8.89 mm)	0.54 in (13.74 mm)	0.4 in (10.16 mm)	¼ npt
250WB/250WSS316	3.73 in (94.74 mm)	2.31 in (58.67 mm)	2.83 in (71.82 mm)	2.62 in (66.55 mm)	0.4 in (10.16 mm)	0.54 in (13.74 mm)	0.4 in (10.16 mm)	¼ npt