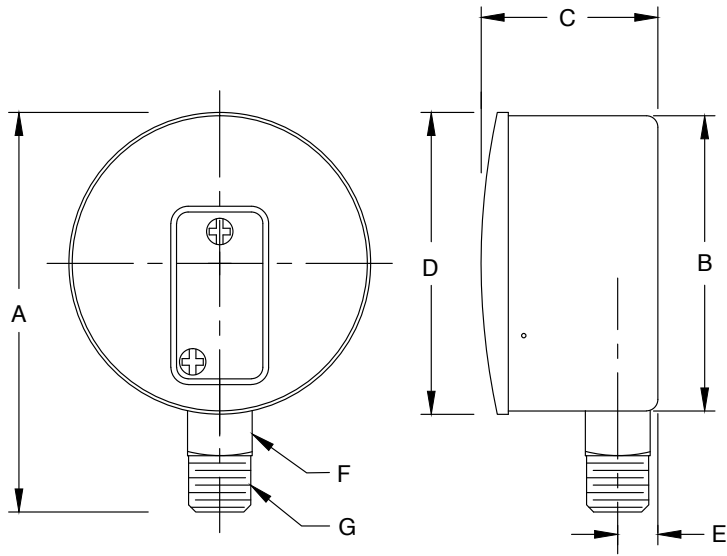
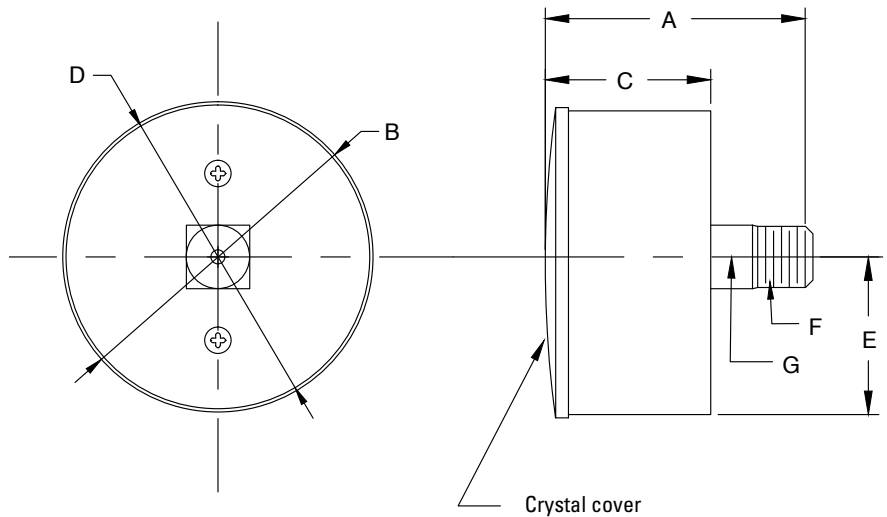


## LOW PRESSURE GAUGE MODELS LPB AND LPSS

Illustrated model: 250LPB15W0



Illustrated model: 251LPB



### Specifications

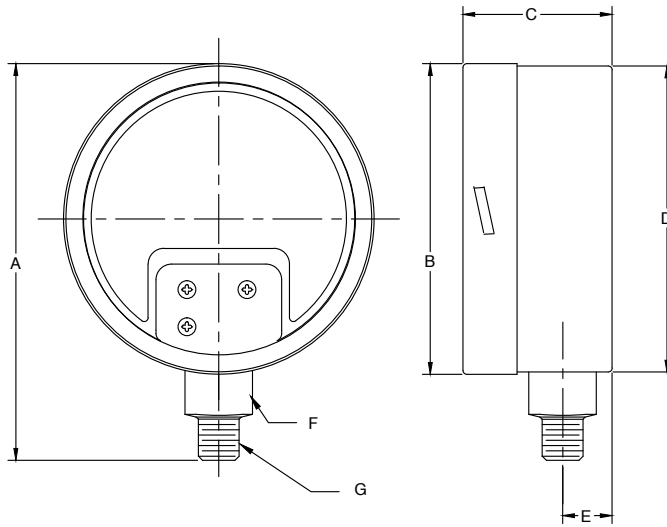
Case:	Steel, painted black for LPB / 304 stainless steel for LPSS
Dial:	White aluminum, H <sub>2</sub> O or psi graduations in black, oz or kPa in blue
Cover and lens:	Snap-in polycarbonate for 2 1/2 in (63 mm), 304 stainless steel bayonet and polycarbonate lens for 4 in (100 mm)
Pointer:	Aluminum, painted black
Connection:	1/4 in nptm bottom or center back, brass for LPB / 316 stainless steel for LPSS
Wetted parts:	Brass for LPB / 316 stainless steel for LPSS
Capsule diaphragm:	Phosphor bronze for LPB / stainless steel for LPSS
Ambient temperature:	-40 to 150°F / -40 to 65°C
Operating pressure:	Maximum 75 % of full scale value
Overpressure limit:	25% over full scale value.
Accuracy:	ASME B40.100(B40.1), Grade B ± 2 %

### Applications

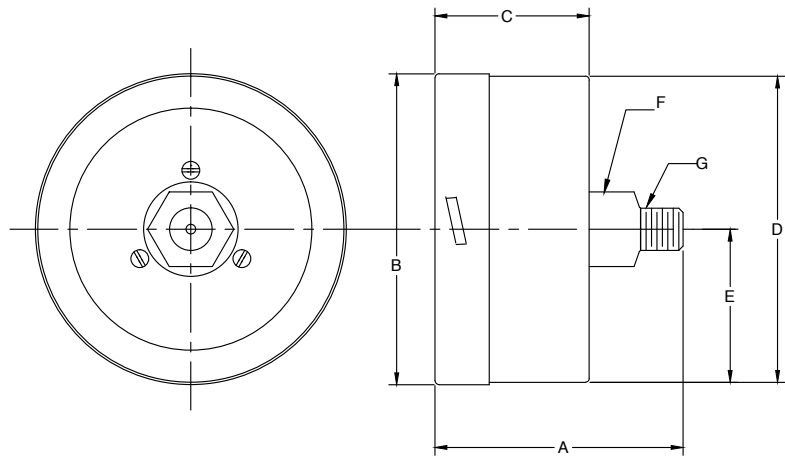
Ideal gauge for low pressure measurement of fluids and gases both corrosive and non-corrosive. Used in refineries, paper mills, water treatment plants, etc.

**LOW PRESSURE GAUGE (CONTINUED)**  
**MODELS LPB AND LPSS**

Illustrated model: 400LPSS



Illustrated model: 401LPSS



**Dimensions as per diagram**

Model	Ø	Connection	A	B	C	D	E	F	G
250LPB	2.5 in	bottom	3.45 in	2.63 in	1.55 in	2.57 in	0.33 in	9/16 flat	¼ in npt
	(63 mm)		(87.6 mm)	(66.1 mm)	(39.4 mm)	(65.2 mm)	(8.4 mm)	(14 mm)	
250LPSS	2.5 in	bottom	3.57 in	2.63 in	1.55 in	2.57 in	0.33 in	9/16 flat	¼ in npt
	(63 mm)		(90.7 mm)	(66.1 mm)	(39.4 mm)	(65.2 mm)	(8.4 mm)	(14 mm)	
251LPB	2.5 in	center back	2.44 in	2.63 in	1.55 in	2.57 in	1.29 in	9/16 flat	¼ in npt
	(63 mm)		(62 mm)	(66.1 mm)	(39.4 mm)	(65.2 mm)	(32.8 mm)	(14 mm)	
251LPSS	2.5 in	center back	2.36 in	2.63 in	1.55 in	2.57 in	1.26 in	9/16 flat	¼ in npt
	(63 mm)		(59.9 mm)	(66.1 mm)	(39.4 mm)	(65.2 mm)	(32 mm)	(14 mm)	
400LPSS	4 in	bottom	5.05 in	3.96 in	1.94 in	3.98 in	1.63 in	7/8 flat	¼ in npt
	(100 mm)		(128 mm)	(99 mm)	(49.2 mm)	(101 mm)	(41.4 mm)	(22.2 mm)	
401LPSS	4 in	center back	3.19 in	3.96 in	1.94 in	3.98 in	1.63 in	15/16 in Hex	¼ in npt
	(100 mm)		(81 mm)	(99 mm)	(49.2 mm)	(101 mm)	(41.4 mm)	(24.2 mm)	

**LOW PRESSURE GAUGE 2 1/2 in (CONTINUED)**  
MODEL LPB

To order, use the code in the corresponding column

Size	2 1/2 in (63 mm)	
Case	steel	
Connection	1/4 in nptm brass bottom	1/4 in nptm brass center back
Range		
0 to 15 in H <sub>2</sub> O (vacuum)	250LPB-15WV	251LPB-15WV
0 to 32 in H <sub>2</sub> O (vacuum)	250LPB-32WV	251LPB-32WV
0 to 55 in H <sub>2</sub> O (vacuum)	250LPB-55WV	251LPB-55WV
0 to 100 in H <sub>2</sub> O (vacuum)	250LPB-100WV	251LPB-100WV
0 to 15 in H <sub>2</sub> O/oz (pressure)	250LPB-15WO	251LPB-15WO
0 to 32 in H <sub>2</sub> O/oz (pressure)	250LPB-32WO	251LPB-32WO
0 to 55 in H <sub>2</sub> O/oz (pressure)	250LPB-55WO	251LPB-55WO
0 to 100 in H <sub>2</sub> O/oz (pressure)	250LPB-100WO	251LPB-100WO
0 to 200 in H <sub>2</sub> O/oz (pressure)	250LPB-200WO	251LPB-200WO
0 to 5 psi/kPa (pressure)	250LPB-5PSI	251LPB-5PSI
0 to 10 psi/kPa (pressure)	250LPB-10PSI	251LPB-10PSI
37 Mbar (WO) (pressure)		251LPB-37Mb
150 Mbar (vacuum)		251LPB-150Mb

**Option**

Low pressure gauge with U-clamp available upon request.

**STAINLESS STEEL LOW PRESSURE GAUGE**  
MODEL LPSS

To order, use the code in the corresponding column

Size	2 1/2 in (63 mm)		4 in (100 mm)	
Case	304 stainless steel			
Connection	1/4 in nptm			
	bottom	center back	bottom	center back
Range	316 stainless steel			
	0 to 15 in H <sub>2</sub> O (vacuum)	250LPSS-15WV	251LPSS-15WV	400LPSS-15WV
0 to 32 in H <sub>2</sub> O (vacuum)	250LPSS-32WV	251LPSS-32WV	400LPSS-32WV	401LPSS-32WV
0 to 55 in H <sub>2</sub> O (vacuum)	250LPSS-55WV	251LPSS-55WV	400LPSS-55WV	401LPSS-55WV
0 to 100 in H <sub>2</sub> O (vacuum)	250LPSS-100WV	251LPSS-100WV	400LPSS-100WV	401LPSS-100WV
0 to 15 in H <sub>2</sub> O/oz (pressure)	250LPSS-15WO	251LPSS-15WO	400LPSS-15WO	401LPSS-15WO
0 to 32 in H <sub>2</sub> O/oz (pressure)	250LPSS-32WO	251LPSS-32WO	400LPSS-32WO	401LPSS-32WO
0 to 55 in H <sub>2</sub> O/oz (pressure)	250LPSS-55WO	251LPSS-55WO	400LPSS-55WO	401LPSS-55WO
0 to 100 in H <sub>2</sub> O/oz (pressure)	250LPSS-100WO	251LPSS-100WO	400LPSS-100WO	401LPSS-100WO
0 to 200 in H <sub>2</sub> O/oz (pressure)	250LPSS-200WO			
0 to 5 psi/kPa (pressure)	250LPSS-5PSI	251LPSS-5PSI	400LPSS-5PSI	401LPSS-5PSI
0 to 10 psi/kPa (pressure)	250LPSS-10PSI	251LPSS-10PSI	400LPSS-10PSI	401LPSS-10PSI

**Option**

Low pressure gauge with U-clamp available upon request.