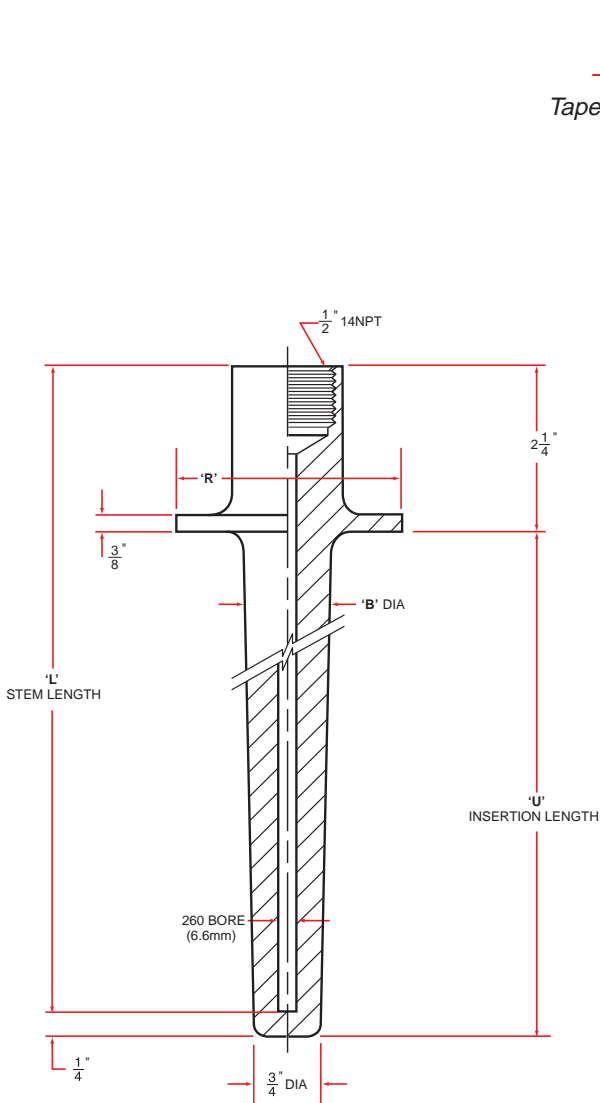


# Thermowells *Vanstone Tapered*



Pipe Size	Actual 'P'	'R'	Part #
1"	1.315	2"	32
1 1/2"	1.900	2 7/8"	33

**Style**  
Taper TW63

**Bore**  
A 0.260  
B 0.385

**Flange Material**  
See Chart

**Stem Length**  
Please insert in Decimal Units

□ □ □ □ □ □ □

Process Size

See Chart  
Stem Material

See Full Chart Options  
Options

**Example:**

TW63 Tapered  
A 0.260  
33 1 1/2" 150 lbs  
L 316SS Stem  
L 316SS Flange  
06 Stem Length (L) inches  
B SS Plug & Chain (option)

**Material Chart:**

- A Brass
- D Carbon Steel
- E A105
- F F11
- G F22
- H 304
- J 304/L
- L 316
- M 316/L
- R Monel
- T Titanium
- U Hast. C

See full chart for more material codes.

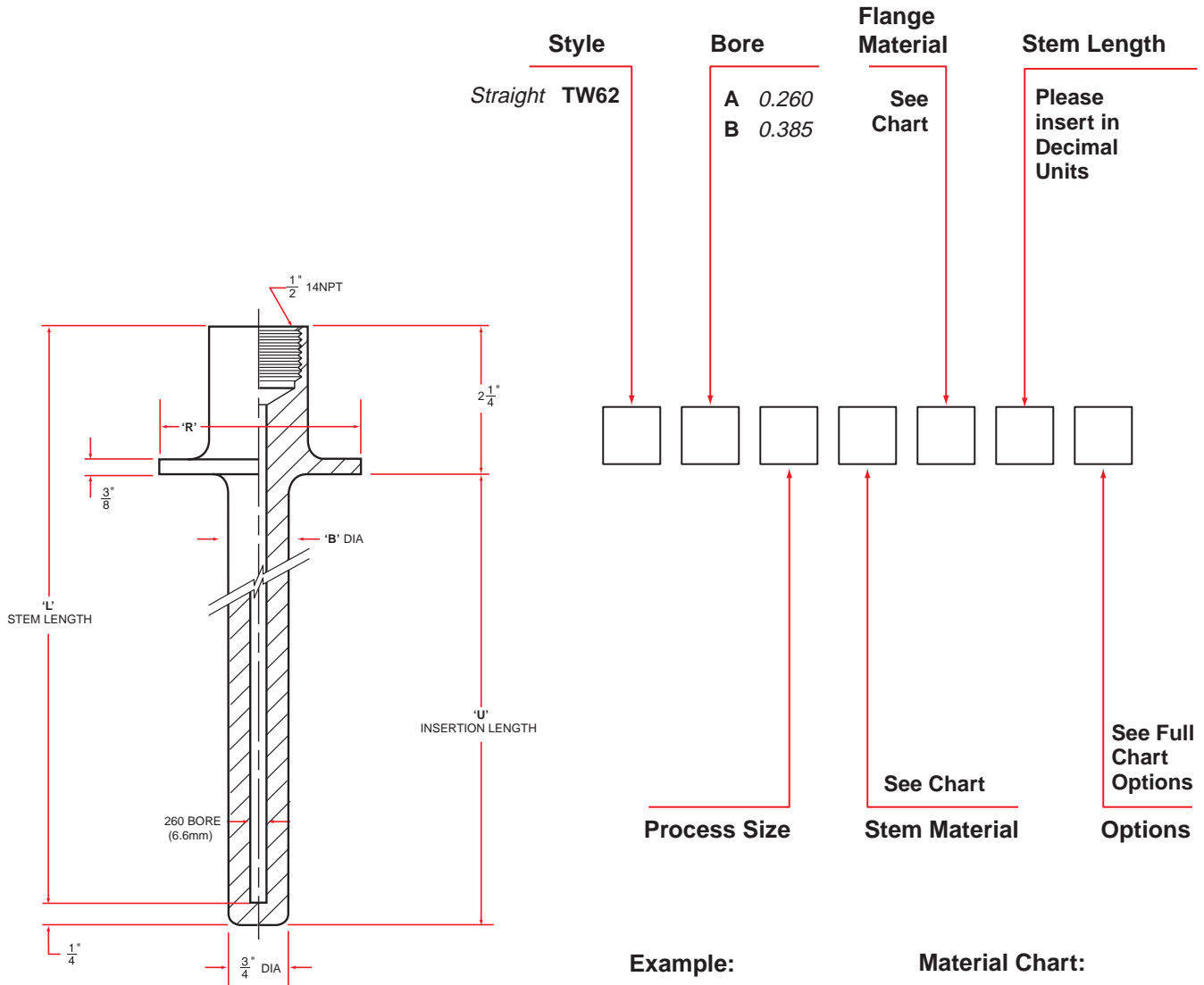


1-877-MAC-WELD (622-9353)

Tel: (519) 332-1388 Fax: (519) 332-3280

Mac-Weld.com

# Thermowells *Vanstone Straight*



Pipe Size	Actual 'P'	'R'	Part #
1"	1.315	2"	32
1 1/2"	1.900	2 7/8"	33

### Example:

**TW62** Straight  
**A** 0.260  
**33** 1 1/2" 150 lbs  
**L** 316SS Stem  
**L** 316SS Flange  
**06** Stem Length (L) inches  
**B** SS Plug & Chain (option)

### Material Chart:

- A** Brass
  - D** Carbon Steel
  - E** A105
  - F** F11
  - G** F22
  - H** 304
  - J** 304/L
  - L** 316
  - M** 316/L
  - R** Monel
  - T** Titanium
  - U** Hast. C
- See full chart for more material codes.

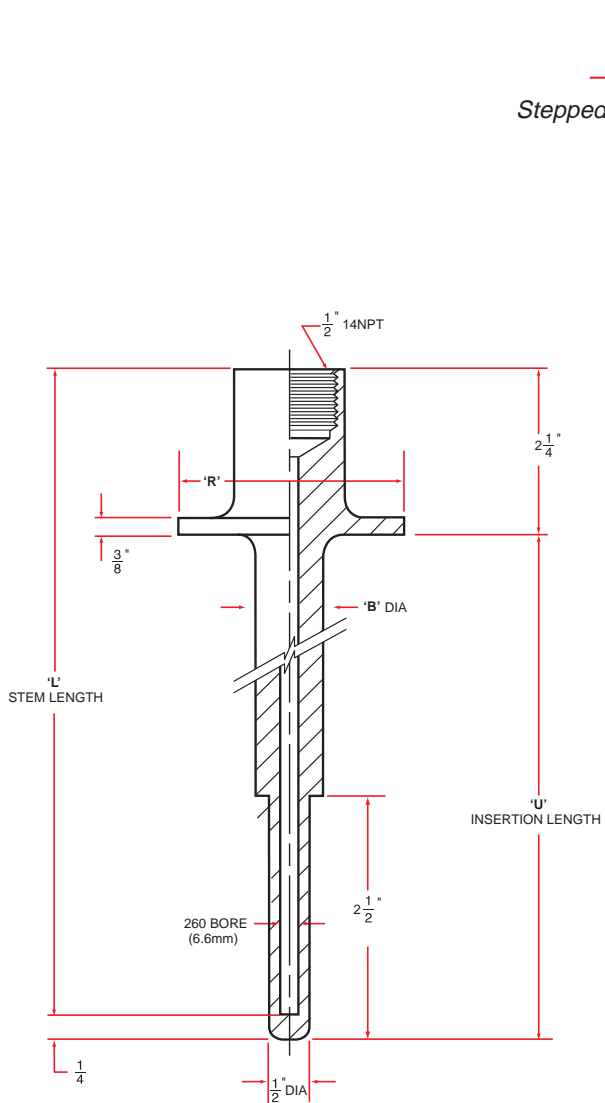


1-877-MAC-WELD (622-9353)

Tel: (519) 332-1388 Fax: (519) 332-3280

Mac-Weld.com

# Thermowells *Vanstone Stepped*



**Style**  
Stepped TW61

**Bore**  
A 0.260  
B 0.385

**Flange Material**  
See Chart

**Stem Length**  
Please insert in Decimal Units

□ □ □ □ □ □ □

Process Size

See Chart  
Stem Material

See Full Chart Options  
Options

Pipe Size	Actual 'P'	'R'	Part #
1"	1.315	2"	32
1 1/2"	1.900	2 7/8"	33

**Example:**

- TW61 Tapered
- A 0.260
- 33 1 1/2" 150 lbs
- L 316SS Stem
- L 316SS Flange
- 06 Stem Length (L) inches
- B SS Plug & Chain (option)

**Material Chart:**

- A Brass
- D Carbon Steel
- E A105
- F F11
- G F22
- H 304
- J 304/L
- L 316
- M 316/L
- R Monel
- T Titanium
- U Hast. C

See full chart for more material codes.



1-877-MAC-WELD (622-9353)

Tel: (519) 332-1388 Fax: (519) 332-3280

Mac-Weld.com