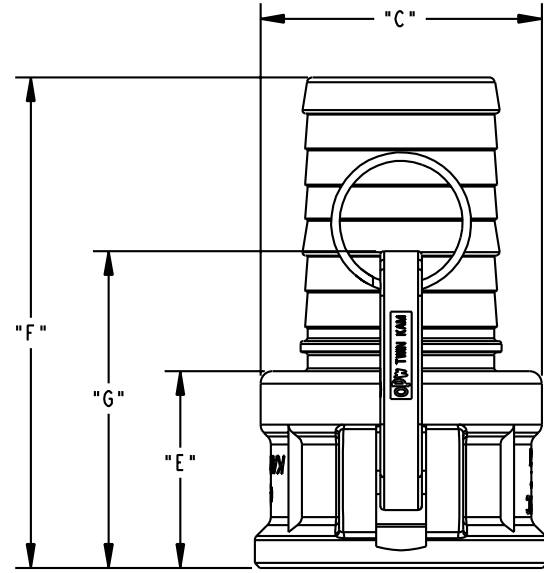
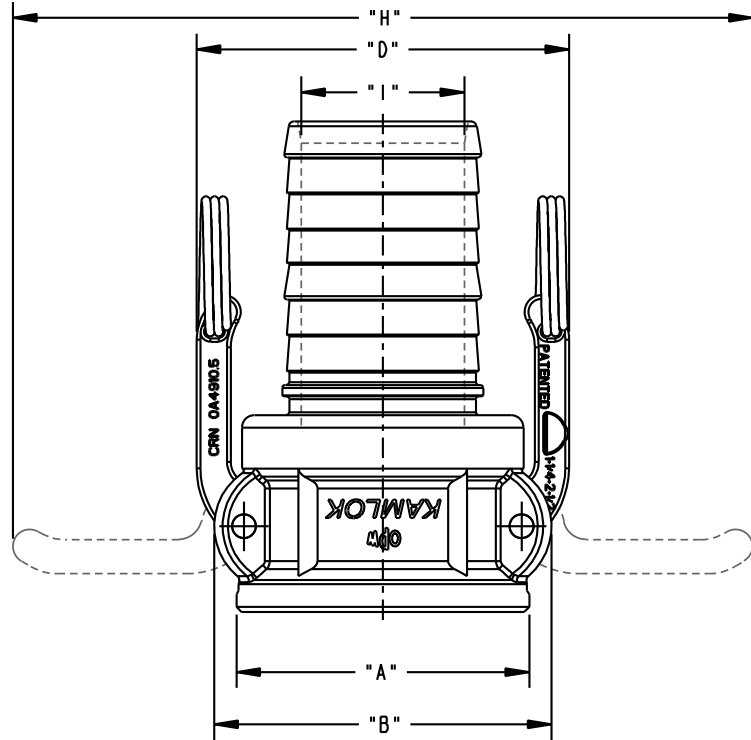


THIS DRAWING IS NOT TO BE SCALED. FOR ADDITIONAL INFORMATION, PLEASE CONTACT OUR ENGINEERING DEPT.

REVISIONS					
LTR	ECN #	DESCRIPTION	DRAWN	APPROVED	DATE
REL	-	-	JPR	-	04-30-02



4" 633C	5.53	6.03	5.53	6.53	2.31	6.56	3.88	11.08	3.53
3" 633C	4.31	4.91	4.25	5.42	2.28	6.31	3.94	9.97	2.69
2-1/2" 633C	3.50	4.09	3.59	4.41	2.19	5.44	3.44	8.28	2.19
2" 633C	3.09	3.56	2.97	3.94	2.06	5.19	3.34	7.81	1.72
1-1/2" 633C	2.59	3.19	2.59	3.56	1.84	4.22	3.25	7.44	1.25
1-1/4" 633C	2.28	2.91	2.28	3.25	1.88	4.12	3.25	7.14	1.00
1" 633C	1.86	2.28	1.86	2.91	1.62	3.88	2.27	5.03	0.78
3/4" 633C	1.62	2.03	1.62	2.41	1.25	3.25	1.97	4.56	0.56
COUPLER SIZE	"A"	"B"	"C"	"D"	"E"	"F"	"G"	"H"	"I"

**CONFIDENTIAL** THIS DOCUMENT CONTAINS INFORMATION WHICH IS PROPRIETARY TO OPW, AND SHOULD BE PROTECTED ACCORDINGLY.

DESCRIPTION: KAMLOK HOSE SHANK COUPLER DIMENSIONS

UNLESS OTHERWISE SPECIFIED  
 TOLERANCES ON DIMENSIONS  
 3 DECIMALS +/- 0.005  
 2 DECIMALS +/- 0.015  
 1 DECIMAL +/- 0.030  
 ANGLES +/- 1/2 DEG  
 MACHINED SURFACES 125 RMS MAX

SIGNATURES	MO-DA-YR
DRAWN: JPR	04-30-02
CHECKED: -	-
MATERIAL: -	WEIGHT: -

REV: REL	PART NUMBER:
SIZE: C	633C
SCALE: NONE	SHEET 1 OF 1

OPW Engineered Systems  
 A DOVER Resources Company  
 Lebanon, Ohio 45036 USA

3D GENERATED DRAWING