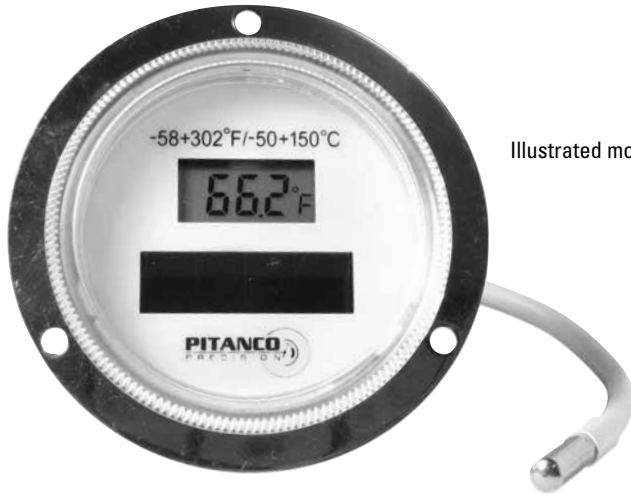
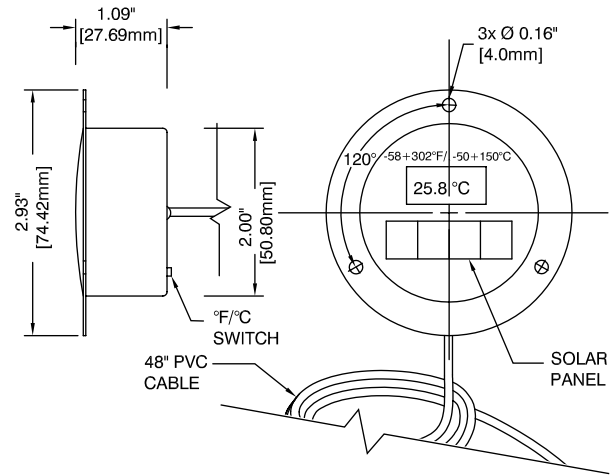


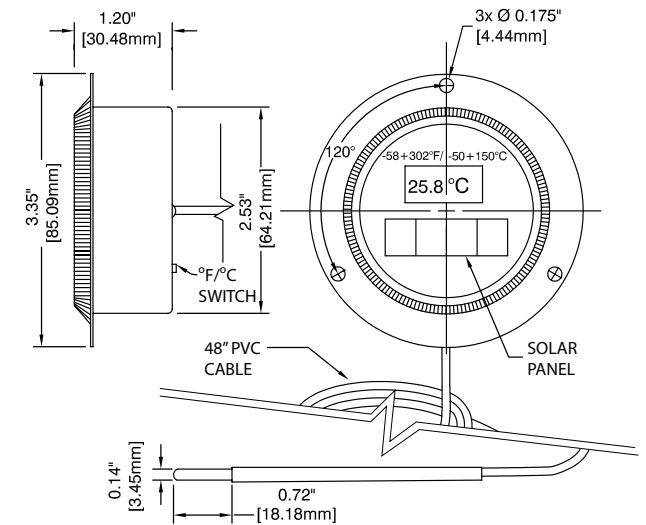
## REMOTE READING SOLAR DIGITAL THERMOMETER MODELS DIT200 AND DIT250



Illustrated model: DIT200



Illustrated model: DIT250



### Specifications

|                        |   |
|------------------------|---|
| Case:                  | 304 stainless steel c/w front flange                |
| Dial:                  | 2 in (50 mm), 2 ½ in (63 mm)                        |
| Lens:                  | Polycarbonate                                       |
| Capillary outlet:      | Center back   |
| Capillary:             | 48 in (1.4 m) PVC                                   |
| Probe:                 | 304 stainless steel                                 |
| Display:               | Liquid crystal (LCD) up to 3 digits and one decimal |
| Energy source:         | Solar powered, includes lithium back-up battery     |
| Ambient temperature:   | 14 to 140°F / -10 to 60°C                           |
| Operating temperature: | Dual scale switch -58 to 302°F / -50 to 150°C       |
| Accuracy:              | ASME B40.200(B40.3), Grade A ± 1 % CAN/CGSB - 14.5  |

### Applications

Refrigeration units, freezers, HVAC and other industrial applications.

To order, use the code in the corresponding column

| Diameter ø     | Range                       | Product code |
|----------------|-----------------------------|--------------|
| 2 in (50 mm)   | -58 to 302°F / -50 to 150°C | DIT200       |
| 2 ½ in (63 mm) | -58 to 302°F / -50 to 150°C | DIT250       |