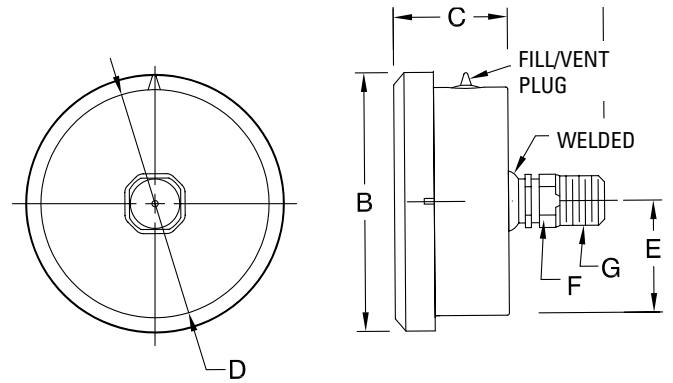
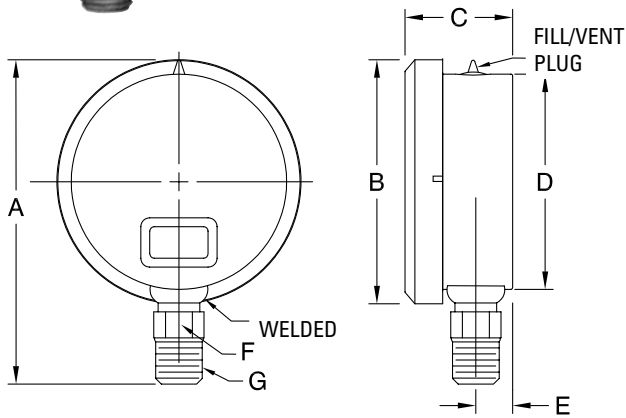


**INDUSTRIAL PRESSURE GAUGE GLYCERIN FILLED
MODELS LFSS AND LFSSW**

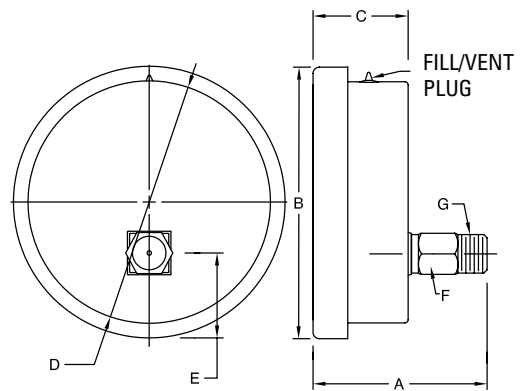
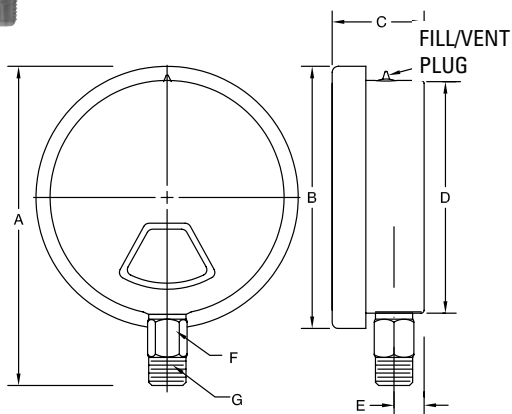
Illustrated model: 250LFSS21W

Illustrated model: 251LFSS12W



Illustrated model: 400LFSS12

Illustrated model: 401LFSS19



INDUSTRIAL PRESSURE GAUGE GLYCERIN FILLED (CONTINUED)

MODELS LFSS AND LFSSW*

Illustrated model: 400LFSS07W



Illustrated model: 401LFSS09W

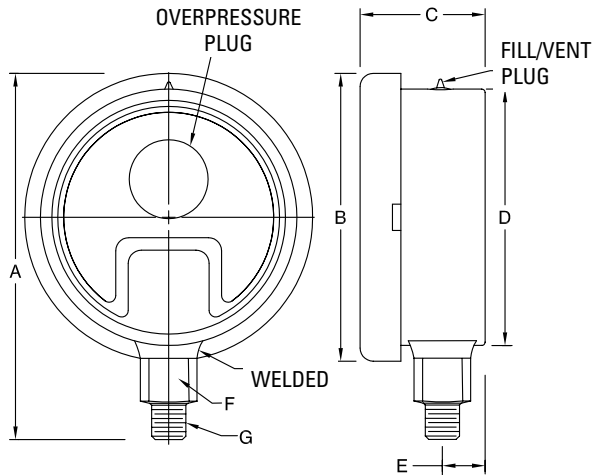


Diagram: 400 and 600LFSSW

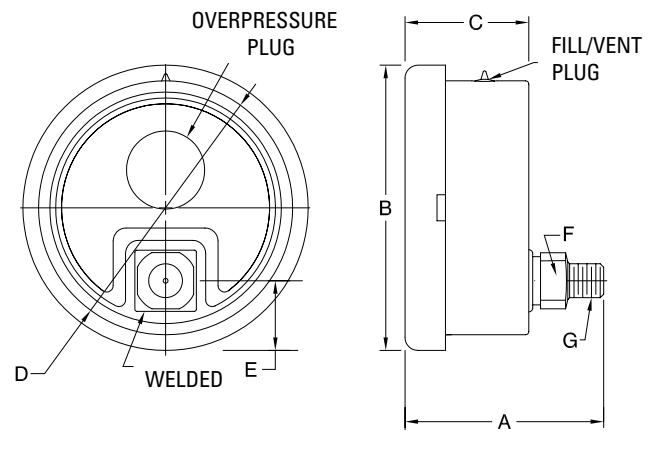


Diagram: 401 and 601LFSSW

Specifications

Case:	304 stainless steel
Dial:	White aluminum with psi graduations in black, kPa in blue
Ring:	304 stainless steel, bayonet style except 1 ½ in (40 mm) hermetically sealed
Lens:	Polycarbonate
Pointer:	LFSS: Black anodized aluminum for 1 ½ in (40 mm), 2 in (50 mm), 2 ½ in (63 mm) and 4 in (100 mm) LFSSW: adjustable pointer for 4 in (100 mm) and 6 in (150 mm)
Connection:	316 stainless steel
Wetted parts:	316 stainless steel
Bourdon tube:	316 stainless steel
Maximum process and ambient temperatures:	-40 to 150°F / -40 to 65°C dry 32 to 160°F / 0 to 70°C glycerin filled
Operating pressure:	Maximum 75 % of full scale value
Overpressure limit:	25 % over full scale value
Accuracy:	ASME B40.100(B40.1), Grade B ± 2 %, 1 ½ in (40 mm), 2 in (50 mm), 2 ½ in (63 mm) and 4 in (100 mm) LFSS Grade A ± 1 % for 4 in (100 mm) and 6 in (150 mm) LFSSW

Applications

Competitively priced gauges for multiple use: industrial, pneumatic, hydraulic, plumbing, HVAC, pumps, compressors, etc.

*Models LFSSW 4 in (100 mm) and 6 in (150 mm) are dry but liquid-fillable.

INDUSTRIAL PRESSURE GAUGE GLYCERIN FILLED (CONTINUED)
MODELS LFSS AND LFSSW*

Illustrated model: 601LFSS09W



Illustrated model: 600LFSS14W



Dimensions as per diagram								
Ø	Connection	A	B	C	D	E	F	G
1.5 in (40 mm)	bottom welded	2.49 in (63 mm)	1.83 in (46 mm)	0.98 in (25 mm)	1.6 in (41 mm)	0.32 in (8 mm)	7/16 flat (11 mm)	1/8 in nptm
	hermetic center back welded	1.75 in (44 mm)	1.83 in (46 mm)	0.98 in (25 mm)	1.6 in (41 mm)	0.8 in (20 mm)	7/16 flat (11 mm)	1/8 in nptm
2 in (50 mm)	bottom welded	3.17 in (80.4 mm)	2.3 in (58 mm)	1.1 in (28.2 mm)	2 in (51.6 mm)	0.41 in (10.4 mm)	9/16 hex. (14 mm)	1/4 in nptm
	bayonet center back welded	2.11 in (53.6 mm)	2.3 in (58 mm)	1.1 in (28.2 mm)	2 in (51.6 mm)	1 in (25.8 mm)	9/16 hex. (14 mm)	1/4 in nptm
2.5 in (63 mm)	bottom welded	3.6 in (92.11 mm)	2.7 in (69 mm)	1.2 in (30.5 mm)	2.4 in (61 mm)	0.41 in (10.4 mm)	9/16 hex. (14 mm)	1/4 in nptm
	bayonet center back welded	2.2 in (56.1 mm)	2.7 in (69 mm)	1.2 in (30.5 mm)	2.4 in (61 mm)	1.2 in (30.5 mm)	9/16 hex. (14 mm)	1/4 in nptm
4 in (100 mm)	bottom	5.3 in (135.1 mm)	4.4 in (111 mm)	1.5 in (38.9 mm)	3.9 in (99 mm)	0.5 in (12.7 mm)	11/16 hex. (17 mm)	1/4 in nptm
	bayonet lower back	2.8 in (71.2 mm)	4.4 in (111 mm)	1.5 in (38.9 mm)	3.9 in (99 mm)	1.4 in (34.7 mm)	11/16 hex. (17 mm)	1/4 in nptm
4 in (100 mm)	bottom welded	5.6 in (142.2 mm)	4.4 in (111 mm)	1.9 in (48.3 mm)	3.9 in (99 mm)	0.65 in (16.5 mm)	7/8 flat (22 mm)	1/4 in nptm
	Premium Quality lower back welded	3 in (76.2 mm)	4.4 in (111 mm)	1.9 in (48.3 mm)	3.9 in (99 mm)	0.85 in (22 mm)	7/8 flat (22 mm)	1/4 in nptm
4 in (100 mm)	bottom welded	5.75 in (146 mm)	4.4 in (111 mm)	1.9 in (48.3 mm)	3.9 in (99 mm)	0.62 in (16 mm)	7/8 flat (22 mm)	1/2 in nptm
	Premium Quality lower back welded	3.3 in (84 mm)	4.4 in (111 mm)	1.9 in (48.3 mm)	3.9 in (99 mm)	0.83 in (21 mm)	7/8 flat (22 mm)	1/2 in nptm
6 in (150 mm)	bottom welded	7.62 in (194 mm)	6.3 in (160 mm)	1.9 in (48.3 mm)	5.86 in (149 mm)	0.57 in (14 mm)	7/8 flat (22 mm)	1/2 in nptm
	Premium Quality lower back welded	3.52 in (89 mm)	6.3 in (160 mm)	1.9 in (48.3 mm)	5.86 in (149 mm)	1.77 in (45 mm)	7/8 flat (22 mm)	1/2 in nptm

INDUSTRIAL PRESSURE GAUGE GLYCERIN FILLED (CONTINUED)

MODELS LFSS AND LFSSW*

To order, use the code in the corresponding column

Size	1 1/2 in (40 mm)		2 in (50 mm)		2 1/2 in (63 mm)		4 in (100 mm)	
Case	304 stainless steel							
Connection	1/8 in nptm		1/4 in nptm					
	bottom	center back	bottom	center back	bottom	center back	bottom	lower back
	316 stainless steel							
Ring	welded to case						not welded to case	
Ring	hermetic		bayonet					
Range								
-30 in Hg to 0 vac/kPa	150LFSS01W	151LFSS01W	200LFSS01W	201LFSS01W	250LFSS01W	251LFSS01W	400LFSS01	401LFSS01
-30 in Hg to 15 psi/kPa					250LFSS02W	251LFSS02W	400LFSS02	401LFSS02
-30 in Hg to 30 psi/kPa					250LFSS03W	251LFSS03W	400LFSS03	401LFSS03
-30 in Hg to 60 psi/kPa					250LFSS04W	251LFSS04W	400LFSS04	401LFSS04
-30 in Hg to 100 psi/kPa					250LFSS05W	251LFSS05W	400LFSS05	401LFSS05
-30 in Hg to 160 psi/kPa					250LFSS06W	251LFSS06W	400LFSS06	401LFSS06
-30 in Hg to 200 psi/kPa					250LFSS07W	251LFSS07W	400LFSS07	401LFSS07
-30 in Hg to 300 psi/kPa					250LFSS08W	251LFSS08W	400LFSS08	401LFSS08
0 to 15 psi/kPa			200LFSS09W	201LFSS09W	250LFSS09W	251LFSS09W	400LFSS09	401LFSS09
0 to 30 psi/kPa	150LFSS10W	151LFSS10W	200LFSS10W	201LFSS10W	250LFSS10W	251LFSS10W	400LFSS10	401LFSS10
0 to 60 psi/kPa	150LFSS11W	151LFSS11W	200LFSS11W	201LFSS11W	250LFSS11W	251LFSS11W	400LFSS11	401LFSS11
0 to 100 psi/kPa	150LFSS12W	151LFSS12W	200LFSS12W	201LFSS12W	250LFSS12W	251LFSS12W	400LFSS12	401LFSS12
0 to 160 psi/kPa	150LFSS13W	151LFSS13W	200LFSS13W	201LFSS13W	250LFSS13W	251LFSS13W	400LFSS13	401LFSS13
0 to 200 psi/kPa	150LFSS14W	151LFSS14W	200LFSS14W	201LFSS14W	250LFSS14W	251LFSS14W	400LFSS14	401LFSS14
0 to 300 psi/kPa	150LFSS15W	151LFSS15W	200LFSS15W	201LFSS15W	250LFSS15W	251LFSS15W	400LFSS15	401LFSS15
0 to 400 psi/kPa			200LFSS23W	201LFSS23W	250LFSS23W	251LFSS23W	400LFSS23	401LFSS23
0 to 600 psi/kPa			200LFSS16W	201LFSS16W	250LFSS16W	251LFSS16W	400LFSS16	401LFSS16
0 to 1,000 psi/kPa			200LFSS17W	201LFSS17W	250LFSS17W	251LFSS17W	400LFSS17	401LFSS17
0 to 1,500 psi/kPa					250LFSS18W	251LFSS18W	400LFSS18	401LFSS18
0 to 2,000 psi/kPa					250LFSS22W	251LFSS22W	400LFSS22	401LFSS22
0 to 3,000 psi/kPa			200LFSS19W	201LFSS19W	250LFSS19W	251LFSS19W	400LFSS19	401LFSS19
0 to 5,000 psi/kPa					250LFSS20W	251LFSS20W	400LFSS20	401LFSS20
0 to 10,000 psi/kPa					250LFSS21W	251LFSS21W	400LFSS21	401LFSS21

Option

*Models LFSSW 4 in (100 mm) and 6 in (150 mm) are dry but liquid-fillable.

INDUSTRIAL PRESSURE GAUGE GLYCERIN FILLED (CONTINUED)

MODELS LFSS AND LFSSW*

To order, use the code in the corresponding column

Size	4 in (100 mm) LFSSW Grade A				6 in (150 mm) Grade A	
Case	304 stainless steel					
Connection	1/4 in nptm		1/2 in nptm			
	bottom	lower back	bottom	lower back	bottom	lower back
Ring	316 stainless steel welded to case					
Range	bayonet					
-30 in Hg to 0 vac/kPa	400LFSS01W	401LFSS01W	400LFSS01W-50	401LFSS01W-50	600LFSS01W	601LFSS01W
-30 in Hg to 15 psi/kPa	400LFSS02W	401LFSS02W	400LFSS02W-50	401LFSS02W-50		
-30 in Hg to 30 psi/kPa	400LFSS03W	401LFSS03W	400LFSS03W-50	401LFSS03W-50		601LFSS03W
-30 in Hg to 60 psi/kPa	400LFSS04W	401LFSS04W	400LFSS04W-50	401LFSS04W-50		
-30 in Hg to 100 psi/kPa	400LFSS05W	401LFSS05W	400LFSS05W-50	401LFSS05W-50		
-30 in Hg to 160 psi/kPa	400LFSS06W	401LFSS06W	400LFSS06W-50	401LFSS06W-50		
-30 in Hg to 200 psi/kPa	400LFSS07W	401LFSS07W	400LFSS07W-50	401LFSS07W-50		
-30 in Hg to 300 psi/kPa	400LFSS08W	401LFSS08W	400LFSS08W-50	401LFSS08W-50		
0 to 15 psi/kPa	400LFSS09W	401LFSS09W	400LFSS09W-50	401LFSS09W-50	600LFSS09W	601LFSS09W
0 to 30 psi/kPa	400LFSS10W	401LFSS10W	400LFSS10W-50	401LFSS10W-50	600LFSS10W	601LFSS10W
0 to 60 psi/kPa	400LFSS11W	401LFSS11W	400LFSS11W-50	401LFSS11W-50	600LFSS11W	601LFSS11W
0 to 100 psi/kPa	400LFSS12W	401LFSS12W	400LFSS12W-50	401LFSS12W-50	600LFSS12W	601LFSS12W
0 to 160 psi/kPa	400LFSS13W	401LFSS13W	400LFSS13W-50	401LFSS13W-50	600LFSS13W	601LFSS13W
0 to 200 psi/kPa	400LFSS14W	401LFSS14W	400LFSS14W-50	401LFSS14W-50	600LFSS14W	601LFSS14W
0 to 300 psi/kPa	400LFSS15W	401LFSS15W	400LFSS15W-50	401LFSS15W-50	600LFSS15W	601LFSS15W
0 to 400 psi/kPa	400LFSS23W	401LFSS23W	400LFSS23W-50	401LFSS23W-50	600LFSS23W	601LFSS23W
0 to 600 psi/kPa	400LFSS16W	401LFSS16W	400LFSS16W-50	401LFSS16W-50	600LFSS16W	601LFSS16W
0 to 1,000 psi/kPa	400LFSS17W	401LFSS17W	400LFSS17W-50	401LFSS17W-50	600LFSS17W	601LFSS17W
0 to 1,500 psi/kPa	400LFSS18W	401LFSS18W	400LFSS18W-50	401LFSS18W-50		
0 to 2,000 psi/kPa	400LFSS22W	401LFSS22W	400LFSS22W-50	401LFSS22W-50	600LFSS22W	601LFSS22W
0 to 3,000 psi/kPa	400LFSS19W	401LFSS19W	400LFSS19W-50	401LFSS19W-50	600LFSS19W	601LFSS19W
0 to 5,000 psi/kPa	400LFSS20W	401LFSS20W	400LFSS20W-50	401LFSS20W-50	600LFSS20W	601LFSS20W
0 to 10,000 psi/kPa	400LFSS21W	401LFSS21W	400LFSS21W-50	401LFSS21W-50	600LFSS21W	601LFSS21W
0 to 15,000 psi/kPa			400LFSS26W-50	401LFSS26W-50	600LFSS26W	601LFSS26W
Options						

*Models LFSSW 4 in (100 mm) and 6 in (150 mm) are dry but liquid-fillable.

MAX400 = 4 in Glass with needle indicating the maximum pressure.