

# Fiberglass Storage Tank Installation Instructions & Operating Guidelines

Petroleum Tanks, Flowtite Water Tanks, Oil/Water  
Separators, & Chemical Tanks

# Fiberglass Tank Installation Instructions

## READ BEFORE INSTALLING TANK

Read all instructions, operating guidelines and applicable supplemental documents before installation.

### Contractor Training

Your work is crucial in assuring long-term tank performance. Improper installation can lead to tank failure, product release, and environmental contamination. Because proper installation is critical, successful contractors should make sure their crews receive proper education in Containment Solutions™ tank installation procedures. Please email fg-usa-csiconroesales@nov.com or contact us at 877-CSTANK to schedule a contractor training session for your crew.

The checklist addresses subjects associated with the installation of Containment Solutions™ underground fiberglass storage tanks. The procedures covered by the checklist should be performed by trained installers. Federal, State, and local laws and regulations governing such installations should be reviewed.

Compliance with the installation instructions and operating guidelines contained in this document are necessary for proper installation, maintenance and use of our tanks and accessories. Additional instructions for the installation of some tanks and accessories may be necessary and can be found in the applicable Supplemental Documents, which are listed in Section 1.

Failure to comply will void the limited warranty and could result in serious injury, death, property damage or tank failure.

### Installing Contractor

Before you begin the installation, read and understand all instructions and applicable supplemental instructions. After tank installation, deliver these installation instructions and operating guidelines, including the completed Tank Installation Checklist to the tank owner.

### Tank Owner

After installation, retain the limited warranty, installation instructions and checklist, any supplemental instructions, and follow all operating guidelines detailed in this document and any supplemental documents.

## Table of Contents

<b>1. Introduction</b>	<b>3</b>
1.5 Safety	3
1.6 Important Information	3
1.7 Important Reminders	3
1.8 Supplemental Documents	3
1.9 Tank Limited Warranty Activation	3
1.10 Before You Begin	4
<b>2. Handling/Storage</b>	<b>4</b>
2.2 To Avoid Tank Damage	5
2.3 Lifting Tanks	5
2.4 Lifting Deadmen	6
2.5 Lifting Tank Sumps or Risers	6
<b>3. Bed and Backfill</b>	<b>6</b>
<b>4. Pre-Installation Testing</b>	<b>7</b>
4.2 Visual Air/Soap Test	7
4.3 Prepare for Testing	7
<b>5. Testing Tanks</b>	<b>8</b>
5.1 Testing Single-Wall Tanks	8
5.2 Double-Wall Tanks Shipped Under Vacuum	8
5.3 Testing Double-Wall Tanks w/ Dry Annular Space Without Vacuum	9

5.4 Testing Double-Wall Compartment Tanks w/ Dry Annular Space Without Vacuum	10
5.5 Testing Double-Wall Tanks w/ Liquid Filled Annular Space	10
5.6 Testing Double-Wall Compartment Tanks w/ Liquid Filled Annular Space	11
5.7 For Tanks That Cannot Be Air Tested	12
<b>6. Excavation and Tank Clearance</b>	<b>12</b>
6.1 Stable Excavations	12
6.2 Unstable Excavations	12
6.3 Shoring Removal	13
6.4 Tank Location - Nearby Structures	13
<b>7. Geotextile Fabric</b>	<b>14</b>
<b>8. Burial Depth and Cover</b>	<b>14</b>
8.3 Minimum Burial Depth - No Traffic Load	14
8.4 Minimum Burial Depth - Traffic Load	15
<b>9. Anchoring</b>	<b>15</b>
9.7 General Anchoring Requirements	15
9.8 Anchor Point Loads	16
9.9 Standard Eye by Eye Hold Down Strap	16
9.11 Drop-Forged Turnbuckles	16
9.12 Wire Rope	16
9.13 Deadmen Anchors	17
9.14 Concrete Anchor Pad	17
9.15 Split Strap Anchoring System	17
<b>10. Ballasting Tanks</b>	<b>18</b>
<b>11. Wet Hole Installation</b>	<b>18</b>
<b>12. Tank Installation</b>	<b>18</b>
12.1 Before You Begin	18
12.2 Tank Vertical Diameter Measurements	18
12.3 Installation Procedure	19
12.4 Backfill To Subgrade	20
<b>13. Adding Tanks at Existing Locations</b>	<b>21</b>
13.2 Preferred Method	21
13.3 Alternate Method for Dry Hole Excavation	21
<b>14. Piping and Bottom Sump Clearances</b>	<b>21</b>
14.1 Tanks with Bottom Sumps / Fittings	21
14.2 Internal & External Piping	22
<b>15. Tank Venting</b>	<b>22</b>
<b>16. Filling Tanks</b>	<b>22</b>
<b>17. Manways</b>	<b>22</b>
<b>18. Annular Space Venting &amp; Monitoring</b>	<b>23</b>
18.1 Annular Space Venting	23
18.2 Hydrostatic Monitoring	23
18.3 Dry Annular Space Monitoring with Sensor	24
18.4 Dry Annular Space Monitoring with Vacuum or Air Pressure	24
<b>19. Containment Collars, Tank Sumps &amp; Access Risers</b>	<b>24</b>
19.3 Collar Test Instructions	24
19.4 All Tank Collars and Sumps	25
19.5 Access Risers (Non Petroleum Tanks)	25
<b>20. Operating Guidelines</b>	<b>25</b>
20.1 General	25
20.2 Fiberglass Tanks Intended Use	25
20.3 Confined Space Entry	25
20.4 Filling / Venting Tanks (General)	26
20.5 Containment Sumps, Manway Extensions & Access Risers	26
20.6 Consumables	26
<b>21. Conversion Formulas</b>	<b>26</b>

### Appendix

App A. Anchor Chart	27-28
App B. Standard Tank Sizes	29
Tank Installation Checklist	30-31

## 1. INTRODUCTION

- 1.1. The purpose of this manual is to provide specifiers, owners and contractors with detailed instructions for installing and operating Containment Solutions™ fiberglass underground storage tanks.
- 1.2. Tank installation is a specialized business. If you do not have tank installation experience and have not completed our training for tank installation in the last 36 months, please contact a trained contractor or call us for a list of trained contractors.
- 1.3. Proper installation is required to assure the long-term performance of our storage tanks. These instructions must be followed. Failure to comply will void the limited warranty and may cause tank failure.
- 1.4. It is the responsibility of the owner, installer and operator to understand and follow all installation requirements.
- 1.5. Safety
  - 1.5.1. These instructions should not be interpreted in any way to put one's safety and health at risk, or to harm property and/or the environment.
  - 1.5.2. Keep this manual available at the installation site and refer to safety procedures as needed.
  - 1.5.3. The following definitions will serve as a guide when reading this manual:

### **⚠ WARNING**

**Indicates a potentially hazardous situation, which if not avoided could result in death or serious injury.**

### **⚠ CAUTION**

**Indicates a potentially hazardous situation, which if not avoided may result in minor or moderate injury.**

### **NOTICE**

**Indicates a potentially hazardous situation, which if not avoided may result in property damage.**

- 1.6. Any repairs required due to any defect or damage shall be made by Fiber Glass Systems (FGS) or our designated representative.

#### 1.7. Important Information

- 1.7.1. Proper installation of each tank is essential:
  - 1.7.1.1. To ensure the safety of all the individuals involved in the tank installation.
  - 1.7.1.2. To prevent tank damage and/or failure, which could lead to product loss and environmental contamination.
  - 1.7.1.3. To validate the tank limited warranty.

#### 1.8. Important Reminders

- 1.8.1. In addition to these instructions, the installation must comply with all applicable codes, regulations and standards of appropriate governmental agencies, such as:
  - Federal, State, Local, or Provincial codes and regulations

- construction, health, safety and environmental codes
  - relevant US fire codes (for example, National Fire Protection Association standards 30, 30A and 31)
  - relevant Canadian fire codes (for example, National Fire Code of Canada and provincial fire codes)
  - industry standard practices (for example, PEI RP100, API RP1615)
  - regulations of the authority having jurisdiction
- 1.8.2. These instructions provide the minimum requirements for the successful installation of a fiberglass underground storage tank. We do not design or engineer the actual installation. The owner's Engineer of Record is responsible for the final design and installation.
  - 1.8.3. Any variances or deviations which are in direct conflict with these published installation instructions must be approved in writing prior to the installation by Tank Technical Support.
  - 1.8.4. Any company representative at the job site has no authority to advise or approve any aspect of the installation and does not relieve the contractor of responsibility to follow these installation instructions.

#### 1.9. Supplemental Documents

- 1.9.1. The following supplemental documents, which may apply to specific installations and/or conditions, are available upon request from Tank Technical Support or online. Supplementals are subject to change, refer to website for most current version.
  - Single-Wall Tank Sump Installation Instructions
  - Double-Wall Tank Sump Installation Instructions
  - Access Riser Installation Instructions w/ Adhesive Channels
  - Standard Hold Down Strap Anchor System
  - Split Strap Anchor System
  - Wire Rope over Tank Top
  - Urea DEF Installation Instructions
  - Triple-Wall Tank Testing
  - NYC Special Installation Instructions
  - Oil/Water Separator Tank Installation and Start-Up Instructions
  - Oil/Water Separator Tank Operations and Maintenance Instructions
  - Alternate Tank Installation Methods
  - Berm Installation Instructions
  - Bottom Sump Installation Instructions
  - Flexible Connector Specification
  - Brine Monitoring Fluid SDS Sheet
  - Lifting Tanks with Slings
  - Hydrostatic Stand Pipe Test
  - Factory Equipped for Onsite Testing & Component Removal

# Introduction / Handling & Storage

## 1.10. Tank Limited Warranty Activation

- 1.10.1. These instructions must be followed.
- 1.10.2. Installing contractor must be trained in accordance with the contractor training course in effect at the time of the installation.
- 1.10.3. The Tank Installation Checklist must be fully completed and signed by the tank owner's representative and the installing contractor at the time of installation.
- 1.10.4. The tank installation checklist, these instructions, and any correspondence related to the tank installation must be retained by the installing contractor and tank owner. The checklist will be required and must be provided to us for any warranty claim to be considered.
- 1.10.5. The limited warranty in effect at the time of tank delivery will apply and is available online.
- 1.10.6. The limited warranty only applies to a tank installed according to these instructions.
- 1.10.7. The limited warranty identifies the products that the tank is designed to store. Temperature of stored products must not exceed limit specified in the applicable limited warranty.
- 1.10.8. Failure to comply with requirements for stored products and product temperature will void the limited warranty and may cause tank damage or failure.
- 1.10.9. It is the responsibility of the owner and operator to follow all operating guidelines and all limitations in the tank limited warranty.

## 1.11. Before You Begin

### ⚠ WARNING

**Do not enter tank or other confined spaces unless following OSHA guidelines for confined space entry. Failure to follow OSHA guidelines could result in death or serious injury.**



**ASPHYXIATION**



**FIRE**



**EXPLOSION**

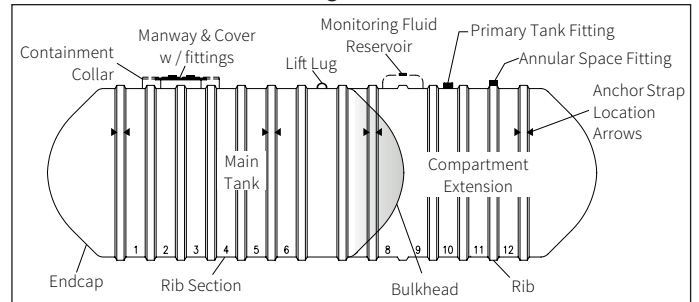
- 1.11.1. Tanks, containment sumps, manway extensions, and access risers are confined spaces.
- 1.11.2. Read, understand and follow these instructions.
- 1.11.3. Barricade the tank area until the job is completed.
- 1.11.4. Review and prepare to complete the installation checklist.
- 1.11.5. Check with local authorities for building codes, underground utilities and testing requirements.
- 1.11.6. If you have installation questions or need alternate installation methods, contact Technical Support.
- 1.11.7. If you have other questions regarding tank modifications, such as adding fittings or manways or tank repair, contact Field Service.

## 2. HANDLING & STORAGE

### 2.1. Common Terms for:

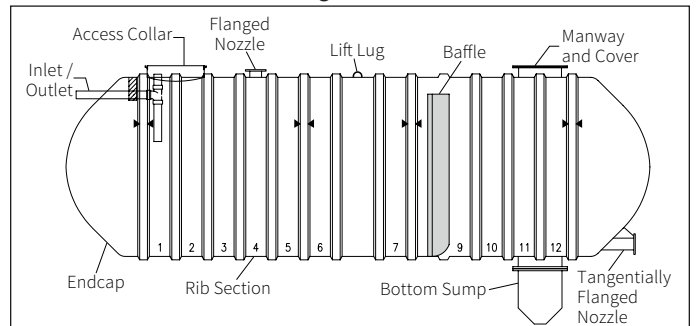
- 2.1.1. Petroleum Tanks (see Figure 2-1).

Figure 2-1



- 2.1.2. Non Petroleum Tanks (see Figure 2-2)

Figure 2-2



### ⚠ WARNING

**Straps securing the tank to the truck should never be released before the appropriate lifting equipment is properly secured to the tank, and everyone is positioned in a safe location to avoid injuries. Failure to do so could result in personal injury or death.**

- 2.1.3. The contractor is responsible for rigging, unloading and securing the tank.
- 2.1.4. Tanks, deadmen, and accessories must be unloaded under the direction of a qualified rigger. Ensure lifting equipment is rated to handle the load before lifting.
- 2.1.5. Upon tank delivery and when lifting tank, visually inspect entire exterior surface of the tank for shipping or handling damage. If the tank has a wet annular space, inspect for monitoring fluid on the exterior surface.
- 2.1.6. Sign all shipping papers accepting the tank as delivered. Any damage observed must be noted in these papers.
- 2.1.7. The contractor is responsible for making sure the tank is secure before removing shipping straps, so the tank does not roll off the truck or trailer.

- 2.1.8. When unloading a tank from the truck, ensure the tank does not impact deadmen or anything else that may damage the tank.
- 2.1.9. For tanks with a bottom sump or bottom fittings, be sure the bottom sump or fittings are not damaged by contact with any object. Refer to Supplemental Documents.
- 2.1.10. Tank must be properly unloaded prior to air/soap testing.
- 2.1.11. For temporary storage of tanks at job site:
  - 2.1.11.1. Set on smooth ground (no protruding rocks or hard objects), on the shipping pads oriented to allow for tank rotation, or on a bed of approved backfill.
  - 2.1.11.2. Chock with sandbags.
  - 2.1.11.3. If high winds are anticipated, tie the tank down to prevent damage. Do not use wire ropes or chains, and do not place straps over collars or reservoirs.
  - 2.1.11.4. When the tank must be rolled for air/soap test, roll only on shipping pads, smooth surface free of protruding rocks or hard objects, or approved backfill. Ensure fittings and/or collars do not come in contact with the ground.

## ⚠ WARNING

**Accessories and their weight can make controlling tank rotation difficult. Failure to control a tank during rotation may result in tank damage or personal injury or death.**

- 2.1.11.5. Protect collars from water accumulation in freezing conditions or tank damage may occur.

## 2.2. To Avoid Tank Damage

- 2.2.1. Do not allow tank to rotate or swing during unloading.
- 2.2.2. Do not use chains or cables around tanks.
- 2.2.3. Do not allow metal hardware to contact the tank.
- 2.2.4. Do not allow fittings, collars, manways, reservoirs, or any accessory to contact ground during rotation.
- 2.2.5. Do not drop tank.

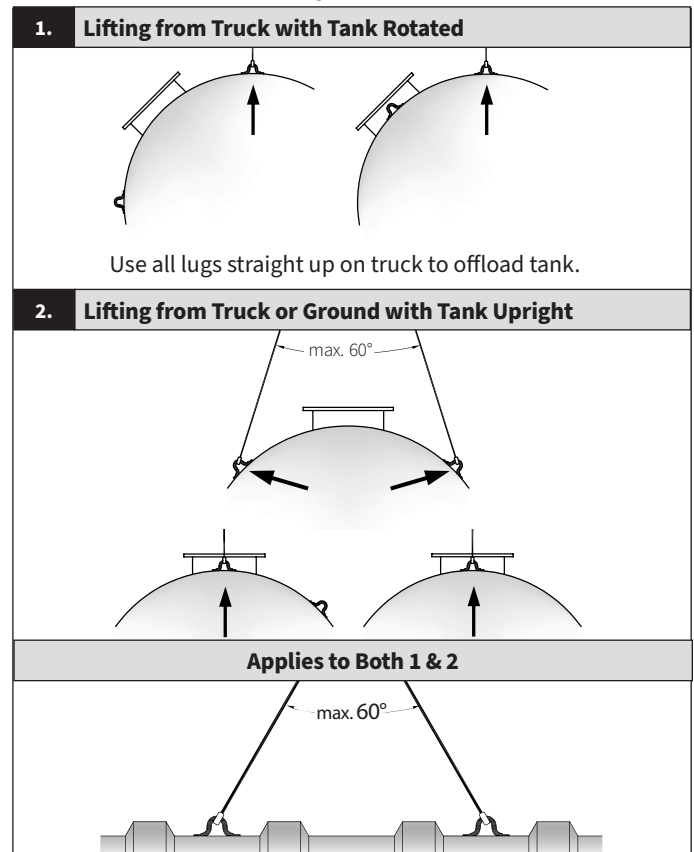
## 2.3. Lifting Tanks

### ⚠ WARNING

**Do not stand on or under tank while tank is being lifted. This could result in personal injury or death.**

- 2.3.1. To lift the tank, always use the number of lift lugs indicated on the label adjacent to the lift lugs. Apply equal tension to all lift lugs simultaneously.
- 2.3.2. Slings may also be used to lift the tank. Use a minimum of 2 slings. Slings around the tank must be used if the tank is to be handled in a non-level or angled position. Refer to Supplemental Documents.
- 2.3.3. Tanks may be provided with guide lugs for attachment of guide ropes during lifting and positioning operations. Do not use guide lugs for lifting.
- 2.3.4. Identify the tank lift lug orientation and use the appropriate method to lift the tank. Lift tank as shown in Figure 2-3.
- 2.3.5. Rotate tank after unloading to upright position for lifting into excavation.
- 2.3.6. A spreader bar may be used to meet minimum lifting angles.

Figure 2-3



# Handling & Storage / Bed & Backfill

## 2.4. Lifting Deadmen

### ⚠ WARNING

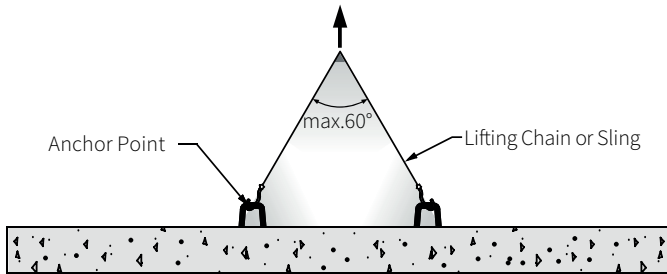
**Use only the anchor points when lifting and positioning deadmen. Failure to do so could result in personal injury or death.**

- 2.4.1. For deadmen sizes and weights use Table 2-1.
- 2.4.2. Lift deadman using a minimum of two equally spaced anchor points (see Figure 2-4).

Table 2-1

Deadmen Anchors			
12 x 12 in.	18 x 8 in.	Pounds	Kilograms
Length (ft)		Weight	
12		1,655	750
16		2,250	1,020
18		2,550	1,156
20		2,850	1,293
14 (14½ actual)		1,686	765
18		2,100	952
22 (21½ actual)		2,500	1,134

Figure 2-4



- 2.4.3. The deadmen type, lengths, and the number of anchor points are dependent upon the tank diameter, model and capacity. See customer specific drawing for deadman placement and anchoring location details.
- 2.4.4. A spreader bar may be used to meet minimum lifting angles.

## 2.5. Lifting Tank Sumps or Risers

- 2.5.1. Visually inspect the sump components for shipping damage. If damage is found, contact Field Service.
- 2.5.2. Wear gloves.
- 2.5.3. Do not roll, drop or bounce.
- 2.5.4. Set on smooth surface.
- 2.5.5. The sump must be secured to prevent damage from high winds. Protect adhesive channels.
- 2.5.6. Refer to Supplemental Documents for additional information on tank sumps.

## 3. PRIMARY BED & BACKFILL

- 3.1. The use of backfill material meeting our specifications is critical to long term tank performance.
- 3.2. The use of backfill material that does not meet our specifications without written approval will void the applicable limited warranty.

### NOTICE

**Using backfill material other than specified by FGS could cause tank failure, or could result in damage to the tank and/or surrounding property**

- 3.3. Do not backfill tank with sand or native soil.
- 3.4. Materials like limestone, sandstone, crushed concrete, seashells or shale cannot be used as backfill because they may break down over time.
- 3.5. Replace all excavated and disturbed native soil with specified backfill.
- 3.6. We also recommend that the backfill supplier provide written certification and sieve analysis to the installer and tank owner that the backfill meets our specifications.
- 3.7. Sieve analysis must be attached to the Tank Installation Checklist.
- 3.8. Keep backfill dry and free of ice in freezing conditions.
- 3.9. Backfill must meet the following specifications (see Figure 3-1):

Figure 3-1

PEA GRAVEL	CRUSHED STONE
<p>3/4 in. (19 mm)</p> <p>Maximum Size</p>	<p>1/2 in. (12 mm)</p> <p>Maximum Size</p>
<p>Pea Gravel: <b>Clean naturally-rounded aggregate with particle sizes no larger than ¾ in. with no more than 5% passing a #8 sieve.</b> Dry bulk density, per ASTM C29, must be a minimum of 95 pounds per cubic foot. The backfill must meet the fine aggregate requirements for deleterious substances and soundness of ASTM C33.</p>	<p>Crushed Stone or Gravel: <b>Washed, with angular particle sizes no larger than ½ in. with no more than 5% passing a #8 sieve.</b> Dry bulk density, per ASTM C29, must be a minimum of 95 pounds per cubic foot. The backfill must meet the fine aggregate requirements for deleterious substances and soundness of ASTM C33.</p>

# Pre-Installation Testing

3.10. To check your backfill size and receive a job specific email acknowledgment please contact Tank Technical Support.

## 4. PRE-INSTALLATION TESTING

### ⚠ WARNING

**Do not pressurize 4, 6, 8 and 10 ft. diameter tanks over 5 psig (35 kPa). Do not pressurize 12 ft. diameter tanks over 3 psig (21 kPa). Tank damage or physical injury may result.**

4.1. The following instructions apply to all air tests described in Section 5 - Testing Tanks.

### 4.2. Visual Air/Soap Test

4.2.1. To be performed on all tanks after unloading from the truck.

4.2.1.1. Single-Wall and Dry Annular Space Tanks air/soap tests must be performed at the job site prior to installation to verify the absence of damage (Sections 5.1 to 5.4).

4.2.1.2. Liquid Filled Annular Space Tanks - air/soap tests on accessories and fittings can be performed after the tank is in the excavation before or after backfilling (Sections 5.5 to 5.6).

4.2.1.3. Dry Annular Space Tanks shipped under vacuum (Section 5.2).

4.2.1.4. Some Non Petroleum tanks are not field air-testable and require a post installation water test (Section 5.7).

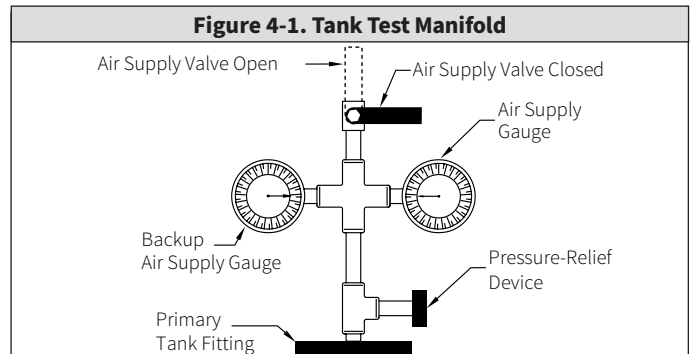
4.2.1.5. All tanks must be vented at all times except as defined during testing.

### 4.3. Prepare for Testing

### NOTICE

**Do not connect air supply directly to any annular space fitting or tank damage will result.**

- 4.3.1. Factory supplied temporary plugs and dope may be used for tank testing.
- 4.3.2. Tanks equipped with flanged nozzles may require contractor-supplied blind flanges for testing.
- 4.3.3. Replace all fitting plugs with plugs compatible with the product to be stored in the tank.
- 4.3.4. Remove factory pipe dope from plugs and fittings.
- 4.3.5. Apply pipe dope compatible with the pipe, fitting and the product being stored in the tank.
- 4.3.6. Make sure all manways or flanges are sealed and fitting plugs are doped and sealed.
- 4.3.7. Assemble the required number of contractor supplied "Tank Test Manifolds" (Figure 4-1) and "Annular Space Gauge and Valves" (Figure 4-2).
- 4.3.8. Connect the "Tank Test Manifolds" to the tank's primary fittings (see Figure 4-1).



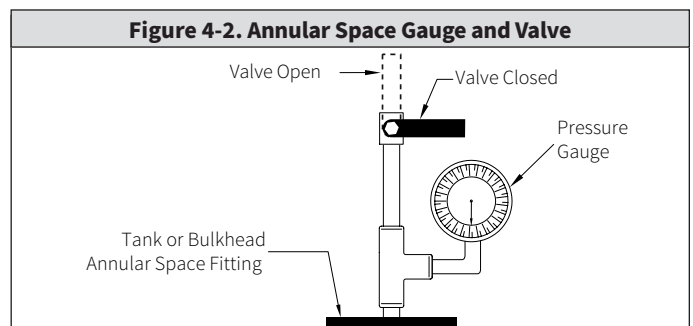
4.3.9. Gauges must have a maximum full-scale reading of 15 psig (40 kPa) with ½ psig (3 kPa) or smaller increments.

4.3.10. Pressure-relief device must be sized and set to prevent the tank from being pressurized in excess of the maximum allowed test pressure (6 psig / 41 kPa maximum or 4 psig / 28 kPa for 12 ft. tanks).

### ⚠ WARNING

**Do not stand on or approach endcaps, manways, or fittings while pressurizing tanks. Do not lift or hoist tank under pressure. These actions could result in death or serious injury.**

4.3.11. For tanks with any dry annular space configurations, use the supplied "Annular Space Gauge and Valve" connected to the annular space fitting (see Figure 4-2).



4.4. Do not pressurize 4, 6, 8 and 10 ft. diameter tanks over 5 psig (35 kPa). Do not pressurize 12 ft. diameter tanks over 3 psig (21 kPa).

4.5. Pressure gauge readings can be affected by changes in ambient air temperature. Allow for pressure fluctuations when tanks are subject to temperature changes.

4.6. Prepare Soap Solution.

4.6.1. Warm weather soap solution

- 5 gallons of water
- 8 ounces of household dish washing detergent

# Pre-Installation Testing / Tank Testing

- 4.6.2. Freezing conditions soap solution
- 4 gallons of water
  - 8 ounces of household dish washing detergent
  - 1 gallon of windshield washer solution
- 4.7. For single-wall or dry annular tanks, cover the entire surface with soap solution and visually inspect for leaks as indicated by the presence of active air bubbles. For tanks with liquid filled annular space, cover only the accessories and fittings with soap solution and inspect.
- 4.8. Anytime bubbles are observed around fittings, plugs, and gaskets; tighten and retest.
- 4.9. In the unlikely event a tank leak is discovered, discontinue the installation and immediately call Field Service to schedule a repair.

## 5. TESTING TANKS

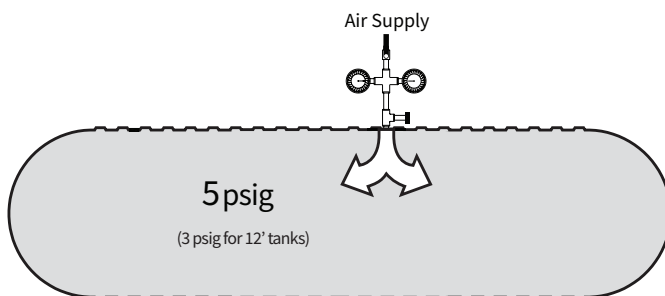
### ⚠ WARNING

**Ensure that during pressure test, all people on the test site remain in a safe location. NEVER LEAVE A TANK UNDER PRESSURE UNATTENDED. Stay clear of manways, fittings and tank ends during testing. When the tank is under pressure, the manways, access openings, fitting plugs and/or fittings may dislodge or the tank may rupture. This could result in personal injury or death.**

### 5.1. Testing Single-Wall Tank(s)

- 5.1.1. Comply with the requirements of Section 4.
- 5.1.2. Connect "Tank Test Manifold" to a tank fitting.
- 5.1.3. Connect the pressure source to the "Tank Test Manifold."
- 5.1.4. Pressurize tank to 5 psig maximum (3 psig for 12' tanks) (see Figure 5-1).

Figure 5-1



- 5.1.5. Close the air supply valve to the primary tank.
- 5.1.6. Disconnect the air supply.
- 5.1.7. Monitor the pressure readings for 30 minutes for any loss in pressure from the initial reading which may indicate a leak.
- 5.1.8. While under pressure, cover tank outer surface, including accessories, fittings and manway(s), with soap solution and inspect.

- 5.1.9. After completing air test, release pressure.
- 5.1.10. Remove all gauges, valves, and hose assemblies.
- 5.1.11. Replace and tighten fitting plug(s).
- 5.1.12. Replace the plastic vent plugs in the open fittings.
- 5.1.13. Refer to INST 6064 for procedure to remove factory equipped on-site pressure test components.

### 5.2. Double-Wall Tanks Shipped Under Vacuum

### NOTICE

**Vacuum monitoring is less sensitive and less reliable than the air/soap test. Several variables can affect the accuracy of vacuum monitoring including environmental conditions (e.g. temperature, pressure, altitude) and/or equipment failure.**

#### 5.2.1. Pre Installation

5.2.1.1. Containment Solutions™ double-wall tanks may be shipped from the factory with the annular space under vacuum. The vacuum serves to confirm the integrity of the primary and secondary (outer) walls prior to shipment, during shipment, handling, and off loading. This option may expedite tank installation by minimizing testing procedures.

5.2.1.2. Upon arrival of the tank at the job-site, the contractor must record the vacuum date, the arrival date, and the vacuum level from the gauge. The date the vacuum was applied to the tank is located on or near the vacuum gauge. This should be done while the tank is on the truck or immediately after off loading.

5.2.1.3. A tank shipped under vacuum can be installed and backfilled with the vacuum intact if both of the following conditions are met:

- The vacuum date precedes the tank installation by a minimum of 7 days.
- The vacuum gauge reads at least 10"Hg (34kPa).

5.2.1.4. If the vacuum level is ever less than 10"Hg, immediately call Field Service.

5.2.1.5. If the tank installation date is less than 7 days from the vacuum date and the vacuum is at least 10"Hg, the vacuum on the annular space must be released and the tank tested following Section 5.3 or 5.4 before installing and backfilling.

5.2.1.6. If the tank installation date is a minimum of 7 days from the vacuum date and the vacuum level is at least 10" Hg, the tank may be backfilled to the tank top while holding vacuum on the annular space.

#### 5.2.2. After backfilling to tank top

5.2.2.1. Comply with the requirements of Section 4.



# Tank Testing

- 5.2.2.2. Connect “Tank Test Manifold” to a primary tank fitting.
- 5.2.2.3. Connect the pressure source to the “Tank Test Manifold” on the main tank.
- 5.2.2.4. Pressurize primary tank and all compartments to 5 psig maximum (3 psig for 12’ tanks) (see Figure 5-2 and Figure 5-3).

Figure 5-2

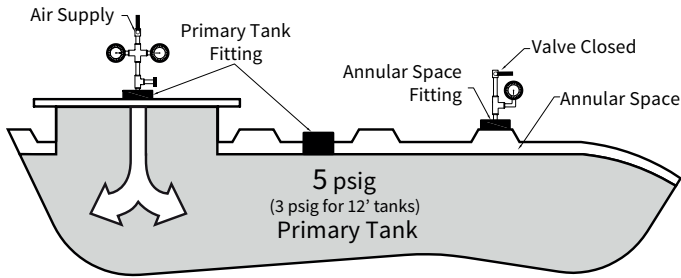
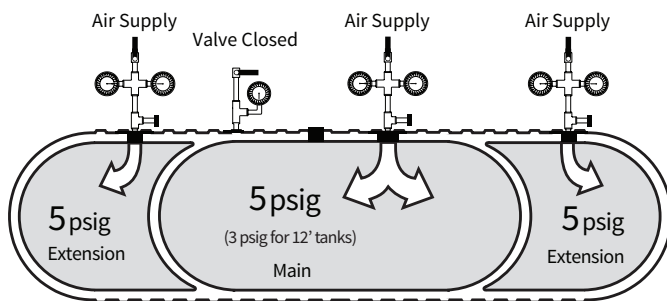


Figure 5-3



- 5.2.2.5. Close the air supply valve to the primary tank.
- 5.2.2.6. Disconnect the air supply.
- 5.2.2.7. While under pressure, cover fittings and manway(s) with soap solution and inspect.
- 5.2.2.8. After completing air test, release pressure.
- 5.2.2.9. Remove all gauges, valves, and hose assemblies.
- 5.2.2.10. Replace and tighten fitting plug(s).
- 5.2.2.11. Replace the plastic vent plugs in the open fittings.
- 5.2.2.12. In the unlikely event a tank leak is discovered, discontinue the installation and immediately call Field Service to schedule a repair.

### 5.3. Testing Double-Wall Tank(s) With Dry Annular Space Without Vacuum

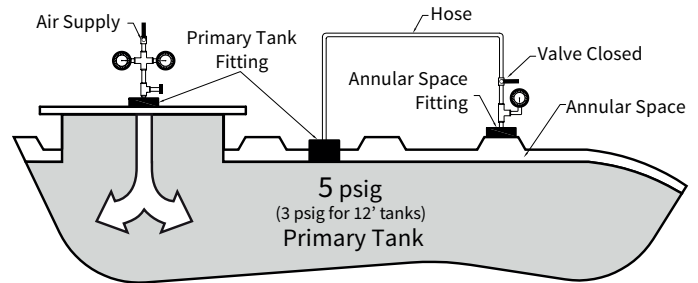
#### NOTICE

**Do not connect the air supply directly to the annular space monitoring fitting or tank damage will result.**

- 5.3.1. Comply with the requirements of Section 4.
- 5.3.2. Connect “Tank Test Manifold” to a primary tank fitting.

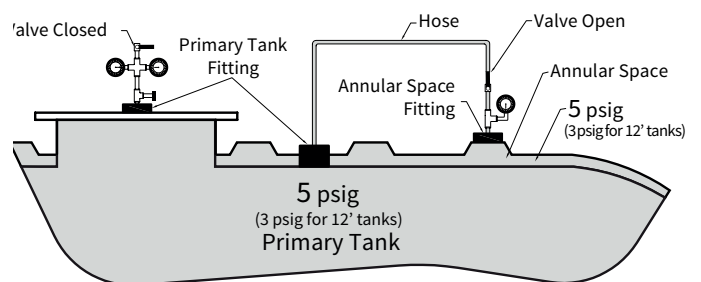
- 5.3.3. Connect hose between a primary tank fitting and “Annular Space Gauge and Valve.”
- 5.3.4. Close valve between primary tank and annular space.
- 5.3.5. Connect the pressure source to the “Tank Test Manifold” on the main tank.
- 5.3.6. Pressurize primary tank to 5 psig maximum (3 psig for 12 ft. tanks) (see Figure 5-4).

Figure 5-4



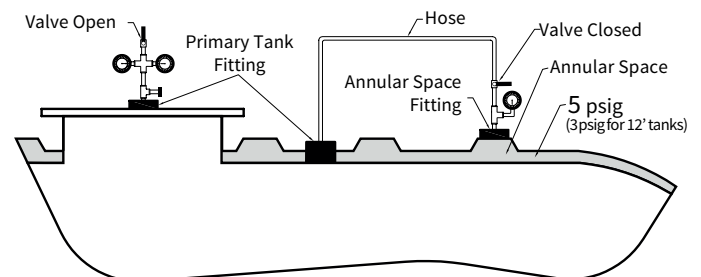
- 5.3.7. Close the air supply valve to the primary tank.
- 5.3.8. Disconnect the air supply.
- 5.3.9. Open valve between primary tank and annular space in order to pressurize the annular space using the existing pressure in the primary tank (pressure in the primary tank may drop slightly) (see Figure 5-5).

Figure 5-5



- 5.3.10. While under pressure, cover fittings and manway(s) with soap solution and inspect.
- 5.3.11. Close valve to annular space.
- 5.3.12. Open valve to vent primary tank.
- 5.3.13. Maintain pressure on the annular space (see Figure 5-6).

Figure 5-6



# Tank Testing

- 5.3.14. Observe and monitor the gauge on the annular space for 30 minutes for any loss of pressure which may indicate a leak.
- 5.3.15. While under pressure, cover tank outer surface, including fittings and manway(s) with soap solution and inspect.
- 5.3.16. After completing air test, release pressure.
- 5.3.17. Remove all gauges, valves, and hose assemblies.
- 5.3.18. Replace and tighten fitting plug(s).
- 5.3.19. Replace the plastic vent plugs in the open fittings.

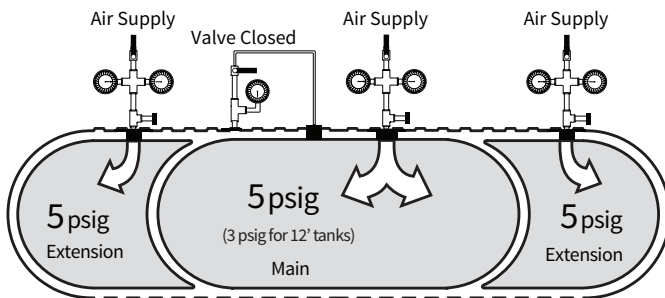
## 5.4. Testing Double-Wall Compartment Tank(s) With Dry Annular Space Without Vacuum

### NOTICE

**Do not connect the air supply directly to the annular space monitoring fitting or tank damage will result.**

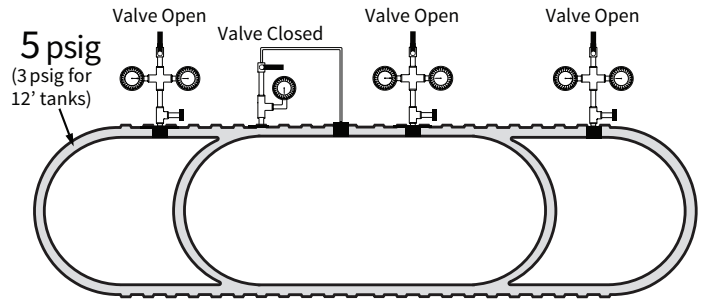
- 5.4.1. Comply with the requirements of Section 4.
- 5.4.2. Connect "Tank Test Manifolds" to each compartment.
- 5.4.3. Connect hose between a primary tank fitting and "Annular Space Gauge and Valve" (refer to Figure 5-4).
- 5.4.4. Close valve between primary tank and annular space.
- 5.4.5. Connect the pressure source to the "Tank Test Manifold" on each compartment.
- 5.4.6. Pressurize all compartments to 5 psig (3 psig for 12' tanks) (see Figure 5-7).

Figure 5-7



- 5.4.7. Close valve on each compartment "Tank Test Manifold." Disconnect the air supply line.
- 5.4.8. Monitor the pressure for 30 minutes for any loss in pressure from the initial reading which may indicate a leak.
- 5.4.9. With all compartments under pressure, cover fittings and manway(s) with soap solution and inspect.
- 5.4.10. Open valve between primary tank and annular space in order to pressurize the annular space using the existing pressure in the primary tank (pressure in the primary tank may drop slightly).
- 5.4.11. Close valve to annular space.
- 5.4.12. Open valves to vent all compartments (maintain 5 psig on annular space) (see Figure 5-8).

Figure 5-8



- 5.4.13. Monitor the pressure for 30 minutes for any loss in pressure from the initial reading which may indicate a leak.
- 5.4.14. While under pressure, cover tank outer surface, including fittings and manway(s) with soap solution and inspect.
- 5.4.15. After completing air test, release pressure.
- 5.4.16. Remove all gauges, valves, and hose assemblies.
- 5.4.17. Replace and tighten fitting plug(s).
- 5.4.18. Replace the plastic vent plug in the open fittings.

## 5.5. Testing Double-Wall Tank(s) With Liquid Filled Annular Space

### NOTICE

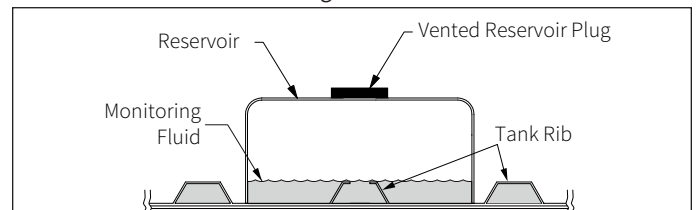
**Never pressurize a wet annular space. Doing so may damage the tank or cause tank failure.**

- 5.5.1. This tank has a hydrostatic monitoring system that includes a green monitoring fluid pre-installed between the tank walls.
- 5.5.2. In the unlikely event of a tank leak, this monitoring fluid will leave a green trace on the tank.
- 5.5.3. If monitoring fluid is found on the tank inner or outer surface during any test, discontinue the installation and immediately contact Field Service.
- 5.5.4. Comply with the requirements of Section 4.
- 5.5.5. With tank in upright position, remove the 4" vented plug from the reservoir fitting.
- 5.5.6. Add only factory supplied monitoring fluid to cover the rib inside the reservoir. Do not overfill past the rib at this time (see Figure 5-9). Final monitoring fluid levels will be set later in the installation process.

### NOTICE

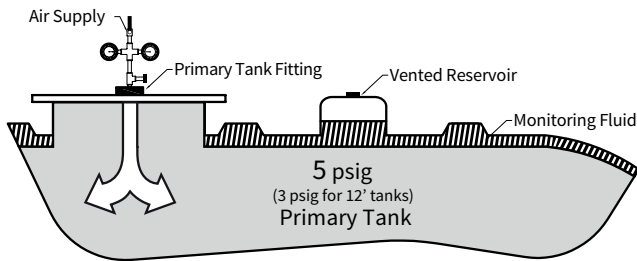
**Mixing Brine and Propylene Glycol will cause gelling and sensor malfunction.**

Figure 5-9



- 5.5.7. Reinstall vented reservoir plug to ensure annular space is vented at all times.
- 5.5.8. Remove enough tank fitting plugs to see inside the primary tank.
- 5.5.9. With a light, look inside for any monitoring fluid.
- 5.5.10. Replace and tighten fitting plug(s).
- 5.5.11. Connect “Tank Test Manifold” to a primary tank fitting.
- 5.5.12. Connect the pressure source to the “Tank Test Manifold.”
- 5.5.13. Pressurize primary tank to 5 psig maximum (3 psig for 12 ft. tanks) (see Figure 5-10).

Figure 5-10



- 5.5.14. Close valve on “Tank Test Manifold.” Disconnect the air supply line.
- 5.5.15. Monitor the pressure for 30 minutes for any loss in pressure from the initial reading which may indicate a leak.
- 5.5.16. While under pressure, cover fittings and manway(s) with soap solution and inspect.
- 5.5.17. After completing air test, release pressure.
- 5.5.18. Remove all gauges, valves, and hose assemblies.
- 5.5.19. Replace and tighten fitting plug(s).
- 5.5.20. Replace the plastic vent plugs in the open fittings.

## 5.6. Testing Double-Wall Compartment Tank(s) With Liquid Filled Annular Space

### NOTICE

**Never pressurize a wet annular space. Doing so may damage the primary tank or cause tank failure.**

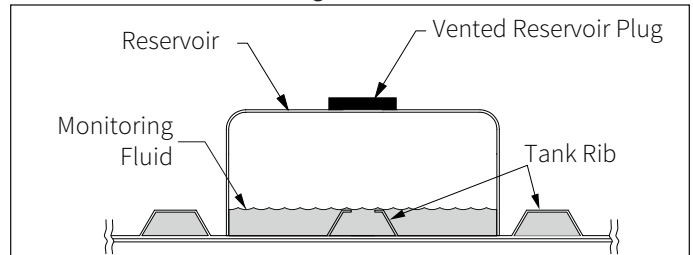
- 5.6.1. This tank has a hydrostatic monitoring system that includes a green monitoring fluid pre-installed between the tank walls.
- 5.6.2. In the unlikely event of a tank leak, this monitoring fluid will leave a green trace on the tank.
- 5.6.3. If monitoring fluid is found on the tank inner or outer surface during any test, discontinue the installation and immediately contact Field Service.
- 5.6.4. Comply with the requirements of Section 4.
- 5.6.5. With tank in upright position, remove the 4” vented plug from the reservoir fitting.

- 5.6.6. Add only factory supplied monitoring fluid to cover the rib inside the reservoir. Do not overfill past the rib at this time (see Figure 5-11). Final monitoring fluid levels will be set later in the installation process.

### NOTICE

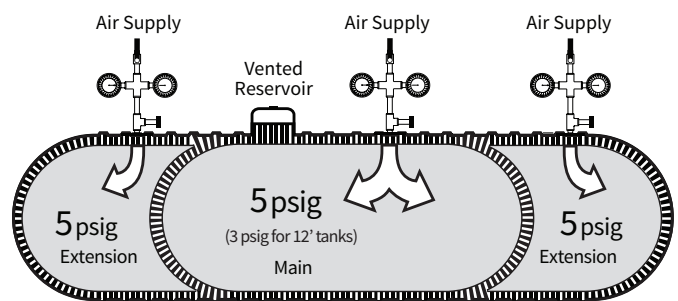
**Mixing Brine and Propylene Glycol will cause gelling and sensor malfunction.**

Figure 5-11



- 5.6.7. Reinstall vented reservoir plug to ensure annular space is vented at all times.
- 5.6.8. Remove enough tank fitting plugs to see inside each compartment.
- 5.6.9. With a light, look inside for monitoring fluid.
- 5.6.10. Replace and tighten fitting plug(s).
- 5.6.11. Connect “Tank Test Manifold(s)” to each compartment.
- 5.6.12. Connect the pressure source to the “Tank Test Manifold” on each compartment.
- 5.6.13. Pressurize all compartments to 5 psig (3 psig for 12 in. tanks) (see Figure 5-12).

Figure 5-12



- 5.6.14. Close valve on each “Tank Test Manifold.” Disconnect the air supply line.
- 5.6.15. Monitor the pressure for 30 minutes for any loss in pressure from the initial reading which may indicate a leak.
- 5.6.16. With all compartments under pressure, cover fittings and manway(s) with soap solution and inspect.
- 5.6.17. After completing air test, release pressure.
- 5.6.18. Remove all gauges, valves, and hose assemblies.
- 5.6.19. Replace and tighten fitting plug(s).
- 5.6.20. Replace the plastic vent plug in the open fittings.

# Tank Testing / Excavation & Tank Clearance

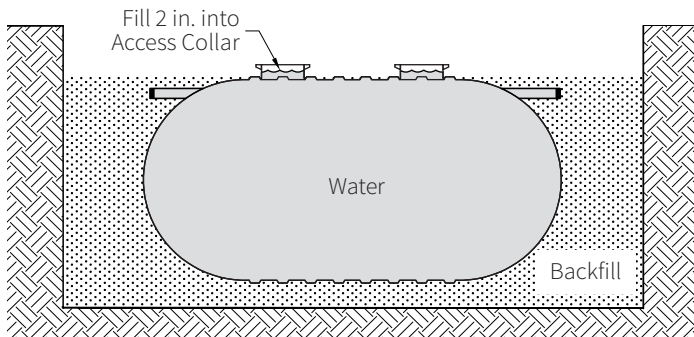
## 5.7. For Tanks That Cannot Be Air Tested (May Apply To Some Non-UL Tanks)

### NOTICE

**If the tank is to be water tested, it must be supported by backfill on all sides of the tank to at least 75% of the tank diameter. Failure to do so is likely to result in tank damage.**

- 5.7.1. These instructions are for tanks that require a post installation water test.
- 5.7.2. Comply with the requirements of Section 4.
- 5.7.3. Tanks may only be water tested if the backfill is at tank top (see Figure 5-13).

Figure 5-13



- 5.7.4. Expose tank penetrations on tank top by temporarily removing backfill.
- 5.7.5. So water does not exit the inlet/outlet pipe, install a turned up elbow or plug.
- 5.7.6. Completely fill the tank with water to a level 2 in. into the access collar(s).
- 5.7.7. Wait at least 30 minutes, if the water level in the collar does not drop more than ¼ in., the tank is considered acceptable and leak free.
- 5.7.8. If the level drops more than the ¼ in., ensure that inlet and outlet pipe caps or plugs and collars are not leaking, then refill the tank and retest.
- 5.7.9. After the tank is proven to be watertight, remove the water in the tank to below the pipe invert.

## 6. EXCAVATION & TANK CLEARANCE

### WARNING

**Do not enter the tank excavation unless in compliance with OSHA regulations. Follow OSHA guidelines for tank excavation. Collapsing excavation walls can cause injury or death.**

### 6.1. Stable Excavations

- 6.1.1. For different diameter tanks that are adjacent to each other, refer to Supplemental Documents.
- 6.1.2. When the excavation is in stable, undisturbed soil; use the minimum spacings (per Figure 6-1 and Table 6-1).

Figure 6-1

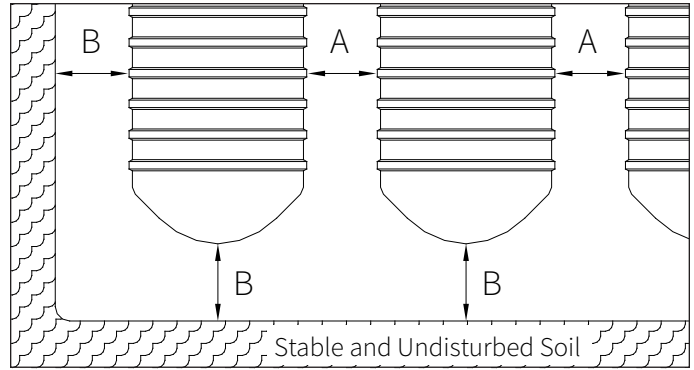


Table 6-1

4, 6 ft. Diameter Tanks		
	Minimum	w/ 18 in. x8 in. CSI Deadmen
A	18 in. (457 mm)	36 in. (914 mm)
B	18 in. (457 mm)	18 in. (457 mm)
8 ft. Diameter Tanks		
	Minimum	w/ 12 in. x12 in. CSI Deadmen
A	18 in. (457 mm)	24 in. (610 mm)
B	18 in. (457 mm)	18 in. (457 mm)
10 ft. Diameter Tanks		
	Minimum	w/ 18 in. x8 in. Deadmen
A	18 in. (457 mm)	36 in. (914 mm)
B	18 in. (457 mm)	18 in. (457 mm)
12 ft. Diameter Tanks		
	Minimum	w/ 18 in. x8 in. Deadmen
A	24 in. (610 mm)	36 in. (914 mm)
B	24 in. (610 mm)	24 in. (610 mm)

Spacing between tanks placed end to end will follow the "B" spacing minimum value. All measurements to be from the outside diameter of the tank ribs.

National Fire Code of Canada requires 24 in. (610mm) between a fuel tank and another tank or structure.

### 6.2. Unstable Excavations

6.2.1. An unstable excavation is any of the following:

- 6.2.1.1. Muck, bog, peat, swamp, quick sand, flowing water, landfill type areas or any other situations where the soil is inherently unstable, or where the soil has been disturbed.
- 6.2.1.2. Soil less than 750 lbs./sq. ft. cohesion per ASTM D2166 (Test Method for Unconfined Compressive Strength of Cohesive Soil), or have an ultimate bearing capacity less than 3,500 lbs./sq. ft.

### NOTICE

**If the soil is unstable, the tank owner is responsible to consult a professional engineer to ensure a proper installation and avoid the potential for tank or property damage.**

# Excavation & Tank Clearance

- 6.2.2. A soils consultant can provide additional recommendations, including when a reinforced pad is needed under the tank.
- 6.2.3. When a bottom pad is used, it should extend to the excavation walls.
- 6.2.4. Unstable excavations may also require geotextile fabric (see Section 7).
- 6.2.5. When the soil is unstable, with or without shoring, use the minimum spacings (per Figure 6-2 and Table 6-2).

Figure 6-2

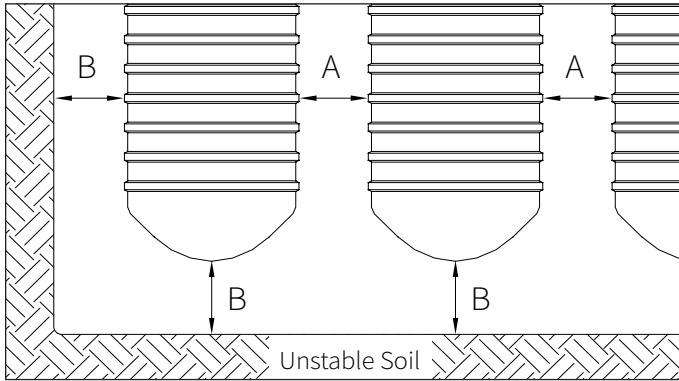


Table 6-2

4, 6 ft. Diameter Tanks		
	Minimum	w/ 18 in. x8 in. Deadmen
A	18 in. (457mm)	36 in. (914mm)
B	½ Tank Dia.	½ Tank Dia.
8 ft. Diameter Tanks		
	Minimum	w/ 12 in. x12 in. Deadmen
A	18 in. (457mm)	24 in. (610mm)
B	½ Tank Dia.	½ Tank Dia.
10 ft. Diameter Tanks		
	Minimum	w/ 18 in. x8 in. Deadmen
A	18 in. (457mm)	36 in. (914mm)
B	½ Tank Dia.	½ Tank Dia.
12 ft. Diameter Tanks		
	Minimum	w/ 18 in. x8 in. Deadmen
A	24 in. (610mm)	36 in. (914mm)
B	½ Tank Dia.	½ Tank Dia.

Spacing between tanks placed end to end will follow the "B" spacing minimum value. All measurements to be from the outside diameter of the tank ribs.

National Fire Code of Canada requires 24 in. (610mm) between a fuel tank and another tank or structure.

## 6.3. Shoring Removal

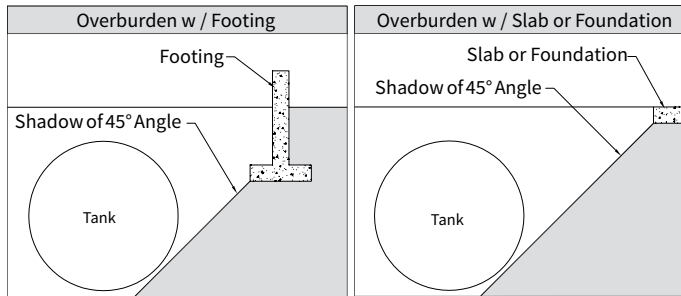
### NOTICE

**Removal of shoring can cause backfill to move and tank to lose support, resulting in an excessive tank deflection. Tank and/or property damage can occur.**

- 6.3.1. Shoring may be removed as backfill is being added around the tank or after the backfill is properly placed completely around the tank(s).
  - 6.3.2. When removing shoring:
    - 6.3.2.1. Pull shoring slowly
    - 6.3.2.2. While pulling, fill any voids created by the pulled shoring with approved backfill. A vibrator, long handled probe, or other means may be used to ensure all voids are filled with approved backfill.
    - 6.3.2.3. Do not disturb the backfill immediately around and under the tank(s).
    - 6.3.2.4. If removing shoring while backfilling around the tank, keep backfill above the bottom of the shoring at all times.
  - 6.3.3. If side shoring is left in place, the shoring must not degrade over the life of the installation.
  - 6.3.4. Shoring system components cannot be placed under the tank.
- ### 6.4. Tank Location - Nearby Structures
- 6.4.1. It is recommended that the tank owner seek the advice of a foundation professional engineer to determine the proper placement of a tank excavation near any slabs, foundations or structures.
  - 6.4.2. The location of a tank can be affected by the location of nearby structures. When selecting a tank site, care must be taken to avoid undermining the foundations of new or existing structures.
  - 6.4.3. Ensure that downward forces from loads carried by the foundations and supports of nearby structures (constructed before or after tank installation) are not transmitted to the tanks. (Refer to NFPA 30 for additional details).
  - 6.4.4. An installed underground tank is not designed for any of the following:
    - 6.4.4.1. Additional static loads on the slab that will cause the load at the tank top to exceed 936 lbs/cubic ft.
    - 6.4.4.2. Adjacent slab, footing or foundation that will place loads on the tank top or sides. This is typically accomplished by ensuring that the tank is not located within the load distribution of any adjacent slabs or foundations using 45° as the angle of the projected loads (see Figure 6-3).
    - 6.4.4.3. Equipment creating vibrations must be placed outside the boundaries of the excavation.

# Geotextile Fabric / Burial Depth & Cover

Figure 6-3



## 7. GEOTEXTILE FABRIC

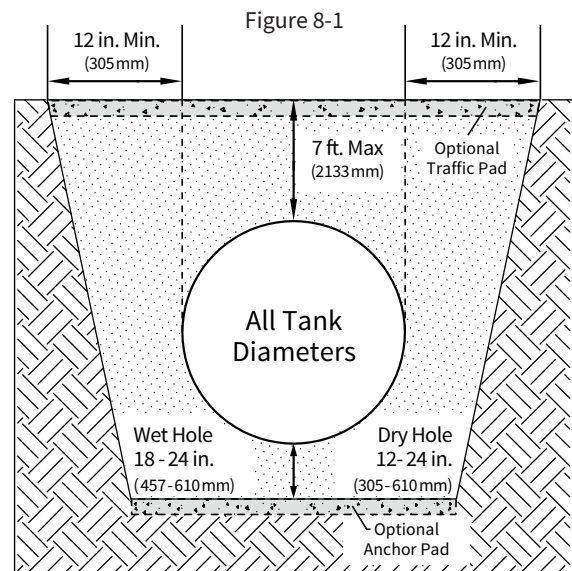
- 7.1. Geotextile fabric (filter fabric) allows the passage of water but prevents migration between backfill and native soil. Migration may compromise the backfill support of the tank.
- 7.2. Geotextile fabrics are required for any of the following installations:
  - 7.2.1. Areas subject to tidal conditions.
  - 7.2.2. Areas subject to frequently changing ground water levels.
  - 7.2.3. Water conditions with silty soil.
  - 7.2.4. Muck, bog, peat, swamp, landfill type areas or any other situations where the soil is inherently unstable, or where the soil has been disturbed.
  - 7.2.5. Soils with less than 250 lbs./sq. ft cohesion or with ultimate bearing capacity of less than 500 lbs./sq. ft.
  - 7.2.6. Alternate installation methods may also require geotextile fabrics. Refer to Supplemental Documents.
- 7.3. The tank owner or tank owner's representative may also specify the use of geotextile fabrics.
- 7.4. Non-degradable geotextile fabric can be either woven or non-woven and should have the following properties:
  - Minimum grab tensile strength of 120 lbs (ASTM D4632).
  - Maximum apparent opening size of #50 US sieve (0.0117 in./0.297mm) (ASTM D4751).
  - Minimum flow rate of 18 gallons/min/ft<sup>2</sup> (ASTM D4491).
  - Minimum permittivity of 0.28 sec-1 (ASTM D4491).
- 7.5. Do not use plastic, or any other material that may tear or degrade over time, as a replacement for geotextile fabric.

### 7.6. Geotextile Fabric Installation

- 7.6.1. Line the side and bottom of the excavation with geotextile fabric.
- 7.6.2. Overlap adjoining geotextile panels a minimum 12".
- 7.6.3. Place backfill on top of the geotextile fabric to hold it in place.
- 7.6.4. In wet hole conditions, backfill on top of the geotextile fabric is necessary to sink and hold it in place.

## 8. BURIAL DEPTH & COVER

- 8.1. Adhere to the minimum and maximum dimensions in this section.
- 8.2. In wet conditions, sufficient overburden and/or an appropriate anchoring system must be used to offset buoyancy of the tank. Minimum burial depth may not be sufficient to anchor the tank in buoyant conditions. Refer to the "Anchor Chart" (Appendix A) for minimum burial depth in buoyant conditions.
  - 8.2.1. Traffic pad must extend at least 12 in. beyond tank perimeter in all directions.
  - 8.2.2. The maximum burial depth is 7 ft. from the tank top to grade elevation. Tanks can be designed for burial depths greater than 7 ft. Contact your local representative prior to tank purchase.
  - 8.2.3. Dry hole excavations must have a minimum of 12 in. and a maximum of 24 in. backfill between the bottom of the tank and either the bottom of the excavation or the top of any concrete pad.

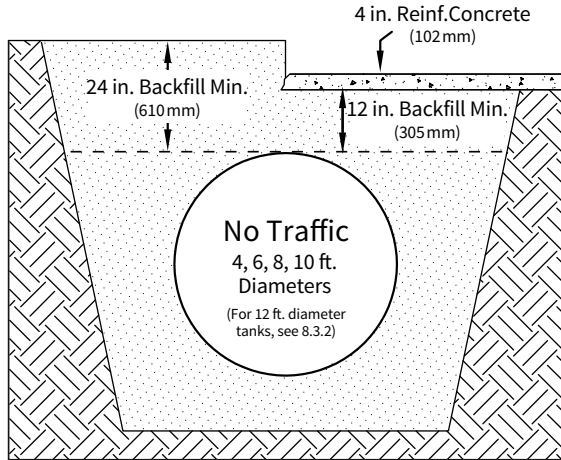


### 8.3. Minimum Burial Depth - No Traffic Load

- 8.3.1. 4 - 10 ft. tanks need a minimum cover of 24 in. backfill or minimum 12 in. backfill plus 4 in. reinforced concrete (see Figure 8-2).

# Burial Depth & Cover / Anchoring

Figure 8-2



- 8.3.2. 12 ft. tanks need a minimum cover of 42 in. backfill or 38 in. backfill plus 4 in. reinforced concrete.
- 8.3.3. Local codes may require deeper minimum burial depth.

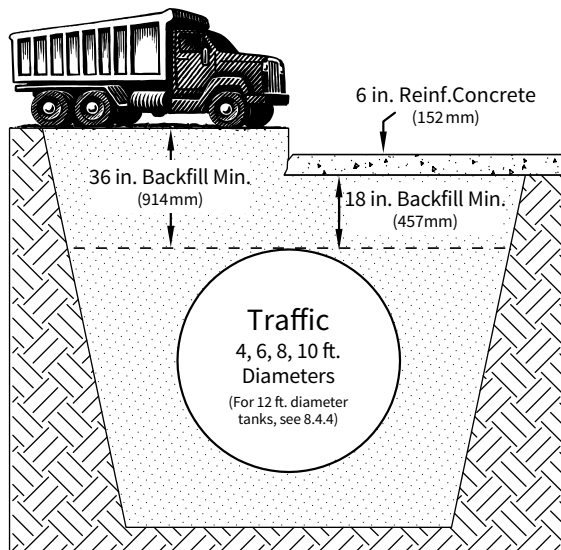
## 8.4. Minimum Burial Depth -Traffic Loads

### NOTICE

**Without a concrete traffic pad, soil must be consolidated such that rutting of the soil will not occur from any equipment or vehicles.**

- 8.4.1. The following burial depths are suitable for H20 or HS20 traffic loads (32,000 lbs/axle).
- 8.4.2. The concrete traffic pad, reinforcement and thickness, must be designed for job conditions and traffic loads to assure concrete traffic pad integrity. It is the responsibility of the tank owner or tank owner's representative to design the traffic pad for all loads.
- 8.4.3. 4 - 10 ft. tanks need a minimum cover depth of 36 in. backfill or minimum 18 in. of backfill plus 6 in. of reinforced concrete (see Figure 8-3).

Figure 8-3



- 8.4.4. 12 ft. tanks need a minimum cover of 48 in. backfill or 36 in. backfill plus 6 in. reinforced concrete.

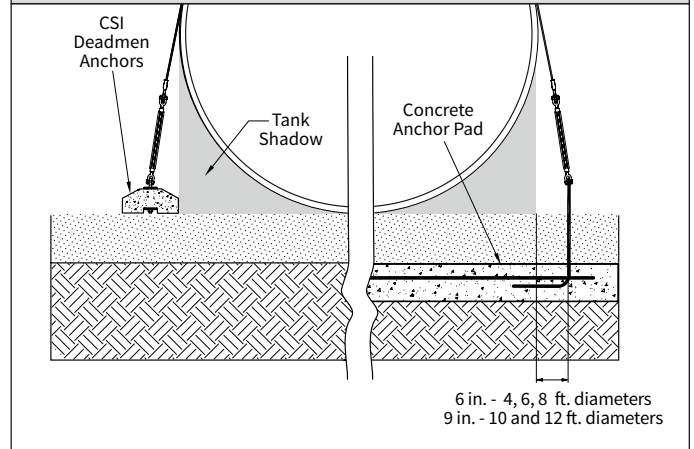
## 9. ANCHORING

### NOTICE

**Every site should be evaluated for buoyant conditions including but not limited to local water tables, flooding and trapped water. Failure to provide sufficient overburden and/or appropriate anchoring may result in tank failure and/or property damage.**

- 9.1. It is the responsibility of the tank owner or tank owner's representative to determine the appropriate anchoring method and to design the anchoring system.
- 9.2. An "Anchor Chart" is provided at the end of this instruction booklet (Appendix A) that covers the minimum burial depths for the three common methods of anchoring tanks.
- 9.3. The three common methods are:
- Deadmen Anchors
  - Concrete Anchor Pad
  - Overburden (no mechanical anchoring)
- 9.4. We offer an engineered mechanical anchoring system designed for each size tank consisting of deadman anchors, straps, and hardware.
- 9.5. Burial depth, straps, turnbuckles, shackles, wire rope, deadmen and anchor pads can be combined to provide anchoring using the information provided in this section.
- 9.6. The mechanical anchoring methods are shown in Figure 9-1.

Figure 9-1. Mechanical Anchoring Methods



## 9.7. General Anchoring Requirements

### NOTICE

**Metal hardware (strap ends, wire rope, and turnbuckles) should never be in direct contact with any portion of the tank or tank damage may occur.**

# Anchoring

- 9.7.1. Prior to anchoring, take the first deflection measurement after the tank is lowered into the excavation. If mechanical anchoring is used, take the second deflection measurement of the tank after the anchoring is complete and record the results on the Tank Installation Checklist (Additional information on deflection measurements can be found in Section 11).
- 9.7.2. Use only Containment Solutions™ anchor straps
- 9.7.3. Use correct length anchor straps for each diameter tank.
- 9.7.4. Anchor points must be aligned with designated anchor ribs ►◄ (±1 in.). Do not use straps between ribs except on 4 ft. tanks.
- 9.7.5. Maintain proper distance between anchor points across the diameter of the tank:
  - 9.7.5.1. For deadmen, place inside edge of deadman at the tank shadow.
  - 9.7.5.2. For bottom anchor pad, position anchor point 6 in. from tank shadow for 4, 6, and 8 ft. tanks; 9 in. for 10 ft. and 12 ft. tanks.
- 9.7.6. All anchor straps must be uniformly tightened. Straps should be snug, but not cause tank deflection.
- 9.7.7. After hardware is installed, all exposed metal on the anchoring system must be coated or galvanized to protect against corrosion.

## 9.8. Anchor Point Loads

- 9.8.1. For any anchoring system, the tank strap and all hardware should be designed for the following working loads. All hardware in the anchoring system should have an ultimate load of at least 3 times the working load (see Table 9-1).

Tank Diameter	Working Load
4 ft.	1,261 lbs (572 kg)
6 ft.	5,405 lbs (2,452 kg)
8, 10, 12 ft.	7,508 lbs (3,406 kg)

- 9.8.2. The installing contractor is responsible for providing hardware and anchor points of sufficient size and strength.
- 9.8.3. For specific information on hardware and usage, consult the hardware manufacturer or supplier.

## 9.9. Standard Eye by Eye Hold Down Strap

Figure 9-2

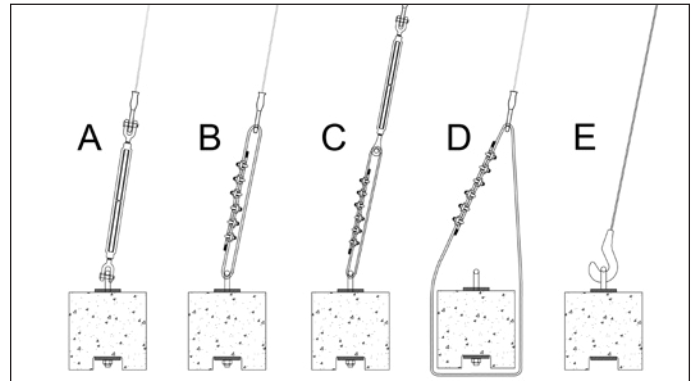
Tank Diameter	Strap Length
4 ft.	100 in. (2,546mm)
6 ft.	141 in. (3,185mm)
8 ft.	176 in. (4,464mm)
10 ft.	238 in. (6,045mm)
12 ft.	271 in. (6,877mm)

Hold-down straps have an ultimate load of 25,000 lbs.

- 9.10. When connecting the end of a hold-down strap to the anchor, common methods include: (see Figure 9-3)

- Drop-forged turnbuckle (A)
- Looped wire rope (B)
- Combination of both A and B (C)
- Wire Rope around deadmen (D)
- Hook Strap (E)

Figure 9-3



## 9.11. Drop-Forged Turnbuckles

- 9.11.1. May be used in place of all or a portion of wire rope described in this section.

Table 9-2

Tank Dia.	Minimum Turnbuckle Diameter (by type)			Working Load Limit*
	Hook	Jaw	Eye	
4 ft.	½ in.	¾ in.	¾ in.	1,200 lbs
6 ft.	¾ in.	½ in.	½ in.	2,200 lbs
8, 10, 12 ft.	1¼ in.	¾ in.	¾ in.	5,200 lbs

\* Standard turnbuckle ultimate loads are typically 5 times working load limit.

## 9.12. Wire Rope

- 9.12.1. A method to use wire rope on the ribs over the tank top is available. Refer to Supplemental Documents for more information.
- 9.12.2. Use 6 x 19 Improved Plow Steel IWRC, or better, wire rope.
- 9.12.3. Refer to Table 9-3 for minimum wire rope diameter and strength. This will provide a working load safety factor 3:1.

Table 9-3

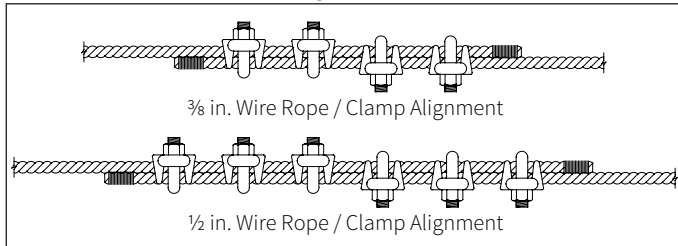
Tank Diameter	Wire Rope	
	Minimum Diameter	Minimum Ultimate Strength
4 ft.	¾ in. (10mm)	13,120 lbs (5,951 kg)
6, 8, 10, 12 ft.	½ in. (13mm)	23,000 lbs (10,433 kg)

- 9.12.4. Follow recommendations of the wire rope manufacturer, as well as all industry standards when selecting, handling, attaching or connecting wire rope.



- 9.12.5. Tighten all hardware uniformly and follow the manufacturer's torque specifications. Double check the tightness once the anchoring system is complete.
- 9.12.6. When forming a loop in the wire rope, a splice is required for connecting the two ends together. Use a minimum of four clamps for  $\frac{3}{8}$  in. wire rope and a minimum of six clamps for  $\frac{1}{2}$  in. wire rope. Place the rope ends parallel to each other and install the clamps as shown in Figure 9-4.

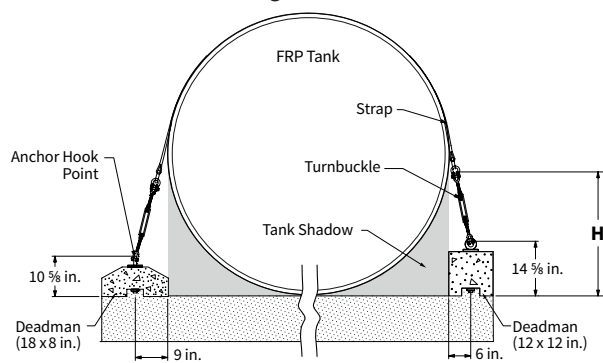
Figure 9-4



### 9.13. Deadmen Anchors

- 9.13.1. Deadmen are made of reinforced concrete, designed according to the American Concrete Institute (ACI) code, placed end to end equal to tank length with at least two anchor points per deadman. Total deadmen length may be shorter than the tank length when supported by buoyancy calculations.
  - 9.13.1.1. Refer to Table 2-1 for deadmen dimensions and weight.
  - 9.13.1.2. Each tank requires its own deadman on both sides, or if one deadman is used between adjacent tanks, it must be doubled in width.
  - 9.13.1.3. A separate anchor point must be provided for each strap.
  - 9.13.1.4. Our deadmen are engineered and sized for the tank ordered.
  - 9.13.1.5. Lay the deadmen in the excavation parallel to the tank and outside the tank shadow (see Figure 9-5).

Figure 9-5



Tank Diameter	*Dimension H
4 ft.	See supplemental documents for Special Placement
6 ft.	27 in.
8 ft.	36 in.
10 ft.	42 in.
12 ft.	50 in.

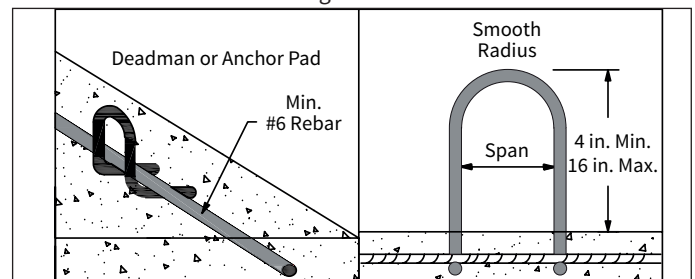
\* This dimension is the distance from the hook point on the anchor strap to the bottom of the deadman.

- 9.13.1.6. Our deadmen are supplied with  $\frac{3}{4}$  in. diameter, galvanized, adjustable anchor points.
- 9.13.1.7. Before placing deadmen, move anchor points to match  $\pm 1$  in. the strap locations on the tank ▶◀.
- 9.13.1.8. Place multiple deadmen, in contact, end to end.

### 9.14. Concrete Anchor Pad Under Tank

- 9.14.1. The weight of the overburden acting on the concrete anchor pad and the tank provides the anchoring force (not the weight of the concrete anchor pad).
  - 9.14.1.1. The tank owner or owner's representative is responsible for the design of anchor pad.
  - 9.14.1.2. As a minimum, to counteract buoyancy, the anchor pad for stable excavations must be at least 8 in. thick and constructed per current ACI code.
  - 9.14.1.3. For stable conditions the pad must extend a minimum of 18 in. beyond the tank shadow. The pad must also be at least the same length as the tank.
  - 9.14.1.4. Poor soil conditions, unstable excavations, local codes, seismic activity, etc. may require special reinforcement and anchor pad thickness. Contact a soil consultant for specifications.
- 9.14.2. Embedded anchor points should be designed for the working loads in Table 9-1.
- 9.14.3. Use one anchor point per strap end.
- 9.14.4. When embedding anchor points at the time the pad is fabricated, the following design meets the minimum required anchor points (see Figure 9-6).

Figure 9-6



Tank Diameter	Minimum Rebar Loop Size (1 strap/anchor point)	Rebar* Span
4 ft.	#6	7 1/2 in.
6, 8, 10, 12 ft.	#8	10 1/2 in.

\* Note: Wider or narrower span will reduce the strength of the anchor points below the required value.

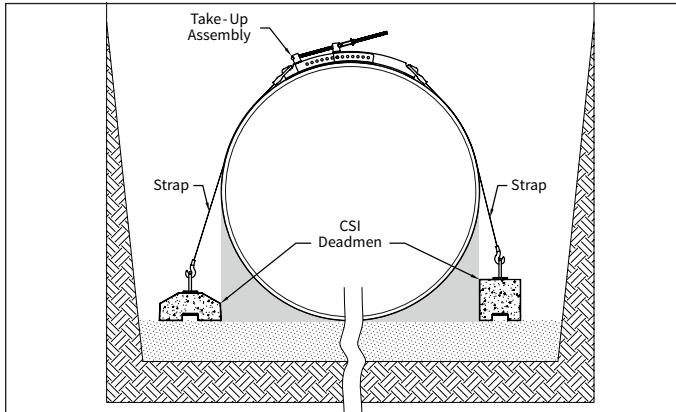
### 9.15. Split Strap Anchoring System

- 9.15.1. Designed for use in installations when personnel may not enter the excavation. This system includes a two part strap and take-up assembly at the tank top that may be used in conjunction with our deadmen.

# Ballasting Tanks / Wet Hole Installation / Tank Installation

9.15.2. The placement of components is critical (see Figure 9-7). Refer to Supplemental Documents for more information.

Figure 9-7



## 10. BALLASTING TANKS (ADDING LIQUID)

- 10.1. A tank is not adequately protected against flotation until the tank is backfilled to subgrade and the top slab is in place.
- 10.2. For a tank that is not fully installed, water can enter the hole and the tank will float unless it has been ballasted with fluid to offset buoyancy.
- 10.3. Use water or fluid heavier than water as ballast. Be sure the ballast will not contaminate the product being stored or clean the tank before product is added. This is especially important for potable water, chemical and diesel exhaust fluid (UDEF) tanks.

### ⚠ WARNING

**If flammable or combustible product is used as ballast, exercise special care in handling. Safeguard against sparks, fire or product spills. Failure to follow this warning could result in a fire or an explosion, and could result in death or serious injury.**

- 10.4. Do not directly connect the ballast fill line to any tank fitting.
- 10.5. Adding ballast

### NOTICE

**Do not have the annular space connected to the primary space during ballasting or tank damage will occur.**

### NOTICE

**When adding ballast, precautions must be taken so that the tank cannot completely fill. Keep tank vented to prevent pressurization of the tank when adding ballast. As the tank nears full, reduce the fill rate to prevent sudden pressurization or tank damage will occur.**

- 10.5.1. At the moment the tank is full, the pressure in the fill line will result in an instant pressurization of the tank which will damage the tank.

- 10.5.2. This problem can be avoided by providing adequate tank venting or removing the fill line and manually bringing the tank to full capacity.
- 10.6. Dry Hole - After backfill is at least 75% of the tank diameter, it is recommended to fill all tank compartments with ballast to minimize chance of buoyancy.

## 11. WET HOLE INSTALLATION

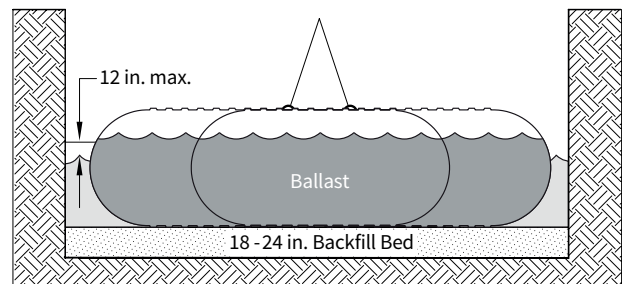
- 11.1. Follow the steps outlined in Section 8.
- 11.2. Wet hole excavations must have a minimum of 18 in. and a maximum of 24 in. backfill between the bottom of the tank and either the bottom of the excavation or the top of the concrete anchor pad.
- 11.3. If possible, pump water from the excavation hole and continue pumping to maintain the water level below the top of the bedding material until the tank can be fully backfilled and ballasted.

### ⚠ CAUTION

**Keep tank vented to prevent pressurization of tank when adding ballast. As the tank nears full, reduce the fill rate to prevent pressurization or tank damage may occur. This may result in personal injury or property damage.**

- 11.4. In high-water conditions, where it is not possible to maintain the water below the top of the bedding material during the entire installation, partially ballast the tank to firmly seat the tank into the bedding material to keep it from floating.
- 11.5. Add enough ballast to sink the tank. The ballast level inside the tank and in all compartments should be equal (to keep tank level) and not more than 12 in. above the ground water level outside the tank (see Figure 11-1).

Figure 11-1



- 11.6. When the tank is firmly set in backfill material, follow procedures outlined in Section 12.

## 12. TANK INSTALLATION

### ⚠ WARNING

**Do not enter the tank excavation unless all OSHA requirements are followed. Collapsing excavation walls may cause death or serious injury.**

### 12.1. Before You Begin

- 12.1.1. It is important to review all instructions to make sure you are compliant with the proper procedures. This includes:

- Bed and Backfill
- Pre-Installation Testing
- Hole Size/Burial Depth
- Anchoring

## 12.2. Tank Vertical Diameter Measurements

- 12.2.1. Each vertical diameter measurement is used to determine the tank's deflection. If at any point the deflection measurements exceed the values in Table 12-1, stop the installation and contact Tank Technical Support.
- 12.2.2. During installation, vertical diameter measurements must be taken and recorded on the Tank Installation Checklist after each of the following steps:
- 12.2.2.1. "First Vertical Diameter Measurement"
- Placement of tank on backfill bed
- 12.2.2.2. "Second Vertical Diameter Measurement"
- Anchoring completed (only applicable if mechanical anchoring is used).
- 12.2.2.3. "Third Vertical Diameter Measurement"
- Backfill to tank top.
- 12.2.2.4. "Fourth and Fifth Vertical Diameter Measurements"
- Backfill to subgrade, before the concrete pad.
- 12.2.3. Separate vertical diameter measurements must be recorded for each tank compartment.
- 12.2.3.1. All measurements for vertical deflection are made from the bottom of the tank to the bottom of the fitting.
- 12.2.3.2. All measurements should be made in inches or millimeters using a standard nonmetallic gauge stick.
- 12.2.3.3. All measurements should be made through the fitting closest to center of tank or each compartment.
- 12.2.4. Refer to Table 12-1 for maximum deflection values.

Table 12-1

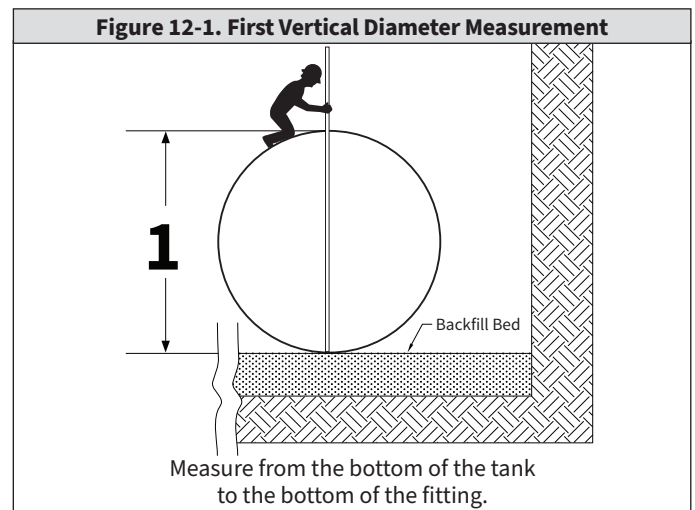
Tank Diameter	Maximum Deflection	
4 ft.	½ in.	(12 mm)
6 ft.	¾ in.	(19 mm)
8 ft.	1¼ in.	(31 mm)
10 ft.	1½ in.	(38 mm)
12 ft.	1¾ in.	(44 mm)

## 12.3. Installation Procedure

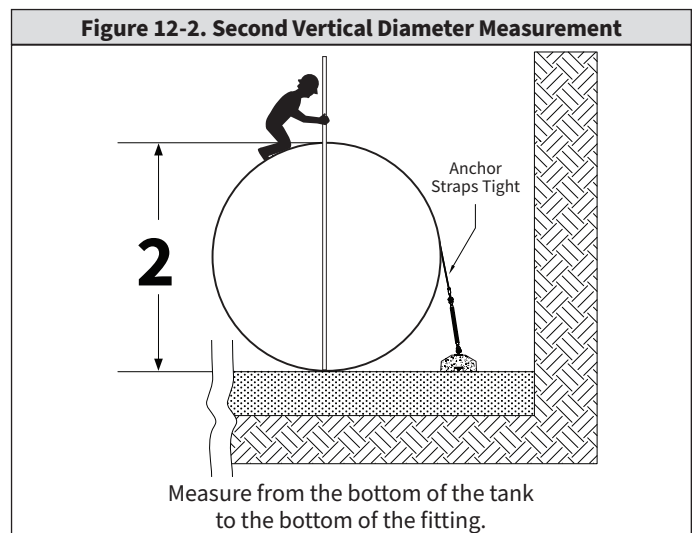
- 12.3.1. Determine if geotextile fabric is required for your installation (see Section 7 for details).
- 12.3.2. All excavation holes must have a minimum of 12 in. (18 in. for wet holes) and a maximum of 24 in. of approved backfill between the bottom of the tank and the bottom of the excavation or concrete anchor pad.
- 12.3.3. Place tank in excavation with lifting cables attached to lift lugs provided on tank, while maintaining control of tank with guide ropes.

12.3.4. Set tanks directly on backfill bed.

12.3.5. Take the "First Vertical Diameter Measurement" and record the value on the Tank Installation Checklist (see Figure 12-1).



12.3.6. If mechanical anchoring is used, after anchoring is completed, take the "Second Vertical Diameter Measurement" and record the value on the Tank Installation Checklist. If this value does not equal the "First Vertical Diameter Measurement", loosen the anchor straps (see Figure 12-2).

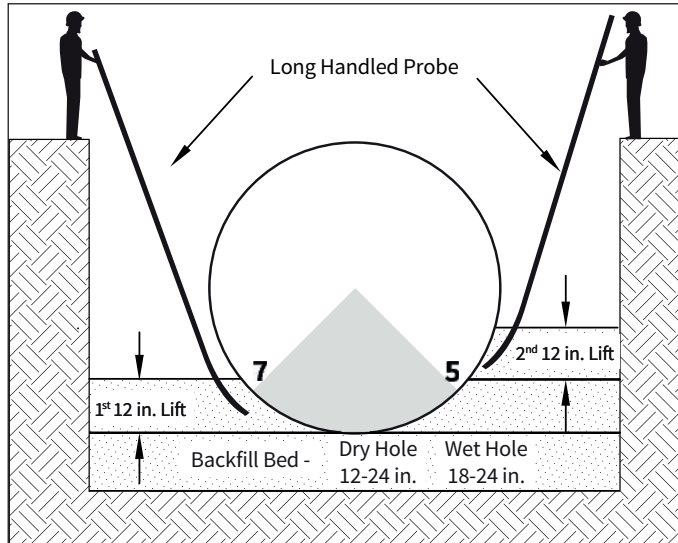


12.3.7. Proper backfilling is required to provide necessary support for the tank.

12.3.8. Place the first 12" lift of approved backfill material evenly around the tank. From the edge of the hole or the top of an adjacent tank, push the backfill in place by using a probe long enough to reach beneath the tank. Work the backfill material under the entire length of the tank between and around ribs and endcaps, eliminating all voids, so the tank is fully supported (see Figure 12-3).

# Tank Installation

Figure 12-3

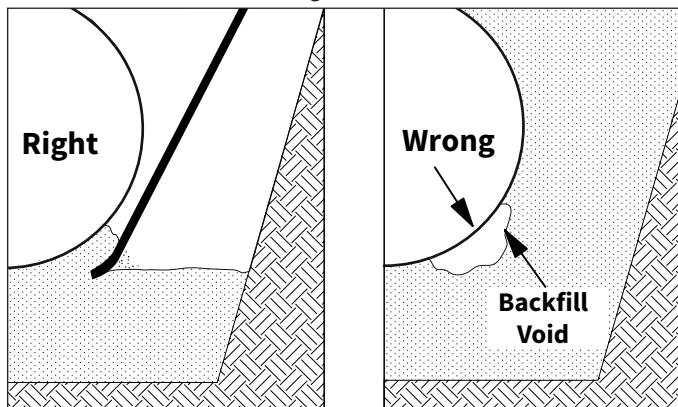


## NOTICE

**Do not strike the tank with the probe or tank damage may result.**

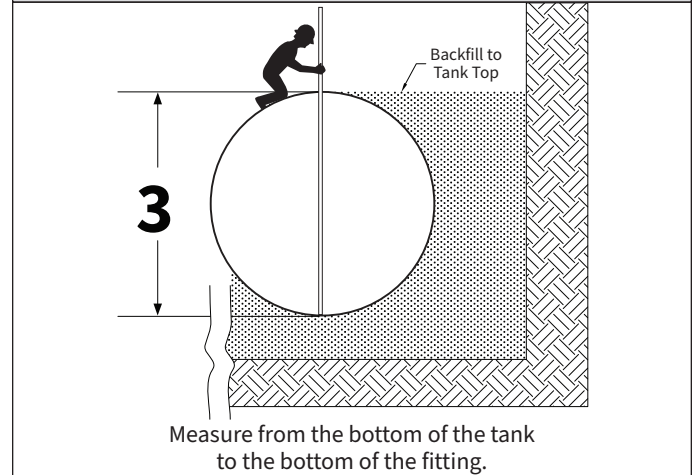
- 12.3.9. Eliminate all voids by using a long handled probe to push backfill:
- 12.3.9.1. Completely beneath tank bottom.
  - 12.3.9.2. Completely between the 5 o'clock and 7 o'clock positions along the entire length of the tank between and around all ribs and endcaps. It is critical to tank performance that this area offers full support under the tank and end caps (see Figure 12-4).

Figure 12-4



- 12.3.10. Repeat this process with a second 12 in. lift.
- 12.3.11. After completion of second lift, backfill can be brought to tank top without additional handwork.
- 12.3.12. Backfill to the tank top.
- 12.3.13. Take the Third Vertical Diameter Measurement and record the value on the Tank Installation Checklist and verify measurement A does not exceed the value in Table 12-1 (see Figure 12-5).

Figure 12-5. Third Vertical Diameter Measurement

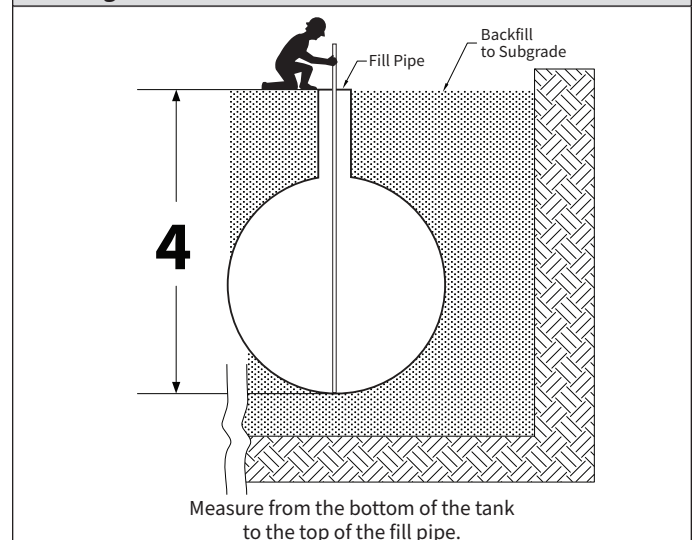


- 12.3.14. Additional information on alternate installation techniques is available. Refer to Supplemental Documents for additional information.

## 12.4. Backfill To Subgrade

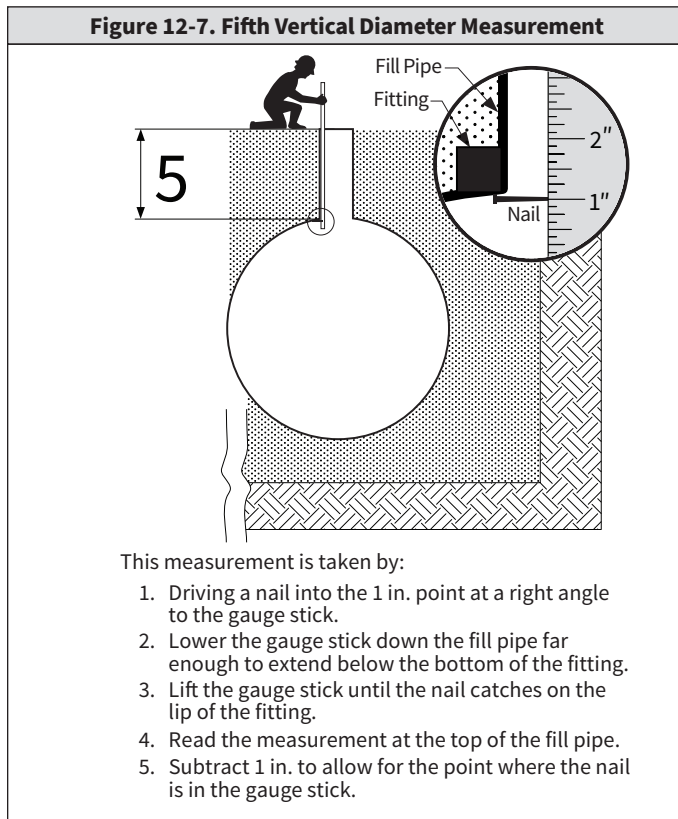
- 12.4.1. When the tank has been lowered into the excavation and all backfilling, testing, venting, and piping has been completed; add the remaining backfill material to subgrade.
- 12.4.2. Approved pea gravel or crushed stone must be used to backfill the tank a minimum of 75% up the side wall of the tank(s).
- 12.4.3. If alternative smaller or finer backfill material is used to subgrade, geotextile fabric is required. Refer to Supplemental Documents.
- 12.4.4. Once the tank has been backfilled to subgrade, before placement of concrete pad, take the fourth vertical diameter measurement.
- 12.4.5. Take the Fourth Vertical Diameter Measurement and record the value on the Tank Installation Checklist (see Figure 12-6).

Figure 12-6. Fourth Vertical Diameter Measurement



# Tank Installation / Adding tanks / Piping & Bottom Sumps

- 12.4.6. Take the Fifth Vertical Diameter Measurement and record the value on the Tank Installation Checklist (see Figure 12-7).



- 12.4.7. The inner diameter measurement is calculated by subtracting the “Fourth Vertical Diameter Measurement” and “Fifth Vertical Diameter Measurement”.
- 12.4.8. After the final measurement has been recorded, complete the Vertical Diameter Measurement section of the Tank Installation Checklist. Verify the values in Table 12-1 have not been exceeded.
- 12.4.9. If the final deflection measurement exceeds the values in Table 12-1 you should stop the installation, prior to pouring the concrete pad, and immediately contact Tank Technical Support for directions.

## 13. ADDING TANKS AT EXISTING LOCATIONS

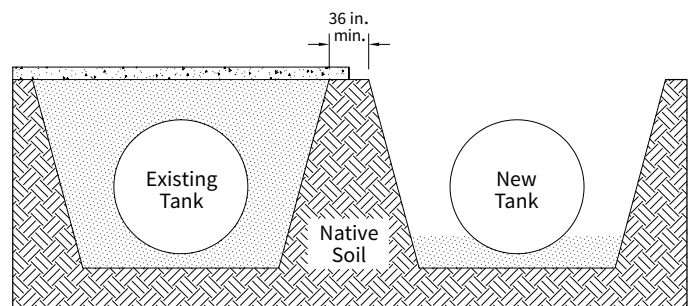
### NOTICE

**Avoid surface loads that may result in a collapse of the excavation or disturb any existing tanks.**

- 13.1. Additional tanks may be installed at existing locations using one of the following methods:
- 13.2. Preferred Method**
- 13.2.1. Install a new tank in a separate hole at least 36 in. from the original excavation.
- 13.2.2. Follow procedures outlined in this Installation Manual.

- 13.2.3. Maintain a minimum 36 in. at grade of native soil between existing and new installation (see Figure 13-1).

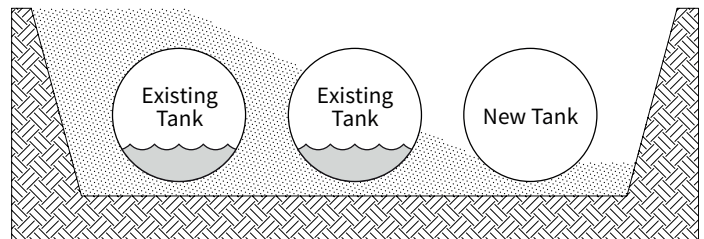
Figure 13-1



## 13.3. Alternate Method For Dry Hole Excavation

- 13.3.1. Lower ballast in existing tanks to less than 25% capacity.
- 13.3.2. Remove the surface slab.
- 13.3.3. Enlarge the excavation for the new tanks, leaving as much backfill as possible around the existing tanks (see Figure 13-2).

Figure 13-2



- 13.3.4. Install shoring, if necessary, to make sure that existing tanks do not move and sufficient backfill remains.
- 13.3.5. Install all tanks following the instructions outlined in this manual.
- 13.3.6. Follow and complete the Tank Installation Checklist for all new and existing tanks.

## 14. PIPING & BOTTOM SUMP CLEARANCES

### NOTICE

**Except for top mounted fittings with connected piping directed vertically, all connections to the tank must allow movement and misalignment between the piping and the tank or damage to the tank and/or surrounding property may occur.**

#### 14.1. Tanks with Bottom Sumps / Fittings

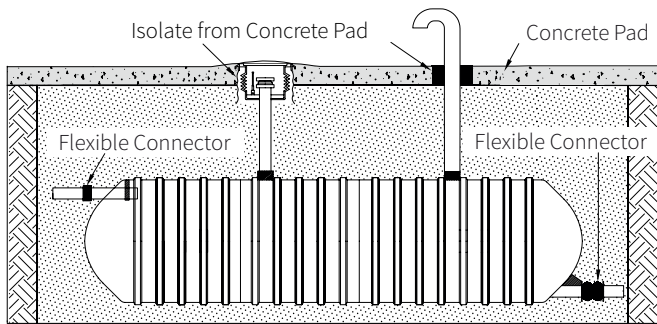
- 14.1.1. To install a tank with a bottom sump or fitting, the excavation and backfill must be modified. Refer to Supplement Documents.

# Piping / Tank Venting / Filling Tanks / Manways

## 14.2. Internal & External Piping

14.2.1. Isolate the piping from the concrete pad (see Figure 14-1).

Figure 14-1



14.2.2. A flexible connector must be directly installed on all tangentially mounted fittings, flanged nozzles or piping. The flexible connector must allow for ½ in. of offset, angular, expansion, and compression movement. Refer to Supplemental Documents.

14.2.3. Fiberglass flanged nozzle bolt torque (See Table 14-1).

Table 14-1. Bolt Torque for Fiberglass Flange

Flange Dia.	ft•lb	N•m
2 in. to 12 in.	25	34
14 in. to 16 in.	30	41
18 in. to 24 in.	35	48
24 in.	40	54

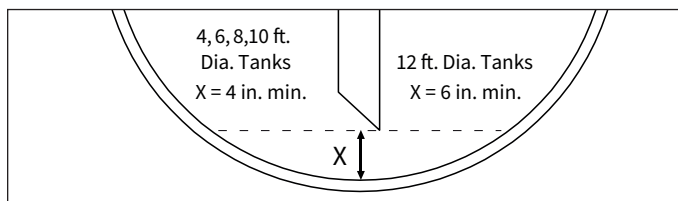
All flanged nozzles must be flat faced. No raised face flanges.

14.2.4. Take precaution during construction to make sure no damage occurs to the exposed pipe(s).

14.2.5. Internal piping must terminate a minimum of 4 in. from tank bottom for 4, 6, 8, and 10 ft. diameter tanks and 6 in. from the bottom for 12 ft. diameter tanks to allow for tank deflection (see Figure 14-2).

14.2.6. Ensure flow control and overflow protection devices are unobstructed.

Figure 14-2



14.2.7. All metal fittings and other metal components must be coated to protect against corrosion.

## 15. TANK VENTING

### ⚠ WARNING

All underground tanks and compartments shall be adequately vented to prevent the development of vacuum or pressure when filling or emptying the tank. Failure to properly vent a tank or compartment could cause tank failure, and could result in death or serious injury.

- 15.1. All primary tanks and compartments that contain product must be vented at all times, except as defined during pre-installation testing.
- 15.2. Tanks are designed for operation at atmospheric pressure (except for use with vapor recovery systems provided the pressure or vacuum does not exceed 1 psig).
- 15.3. When fluid can fill the inlet or outlet piping, the pressure at the tank top should be limited to 1 psig.
- 15.4. The tank's venting system must be adequately sized to ensure that the pressure or vacuum at the tank top will not exceed 1 psig at all times, including when filling and emptying the tank.
- 15.5. When tanks and compartments share a vent, size the vent system for all to be operating simultaneously.

## 16. FILLING TANKS

### NOTICE

Pressurized product deliveries are not recommended and may pressurize the tank and result in tank damage.

- 16.1. If the delivery vehicle uses pumps to fill the tank, install positive shut-off equipment in the lines and on the truck to prevent the tank from being overfilled.
- 16.2. Pressurization from overfilling will damage the tank, even if the tank vent is unrestricted.
- 16.3. Do not use a ball float valve for overfill protection.

## 17. MANWAYS

### ⚠ WARNING

Do not enter tank or other confined spaces unless following OSHA guidelines for confined space entry. Failure to follow OSHA guidelines could result in death or serious injury.

- 17.1. The load bearing capacity for a standard 22 in. manway installed is 1,200 lbs. for single-wall tanks and 2,400 lbs. for double-wall tanks.
- 17.2. All 25, 30 and 36 in. manways have a load bearing capacity of 2,400 lbs.
- 17.3. Do not exceed 50 ft•lb torque during bolt tightening or manway flange damage may occur.

# Annular Space Monitoring

## 18. ANNULAR SPACE VENTING & MONITORING

### 18.1. Annular Space Venting

- 18.1.1. Annular space vents must be independent of tank vents.
- 18.1.2. For dry monitored tanks, annular space(s) do not need to be vented.
- 18.1.3. For hydrostatically monitored tanks, the annular space(s) must be vented at all times.
- 18.1.4. For high groundwater conditions, install a separate vent line from riser pipe to above expected water level. Plug vent holes in riser cap to prevent intrusion of water into the annular space.
- 18.1.5. If tank is sloped, place tank so that the reservoir is on the high end of the tank.

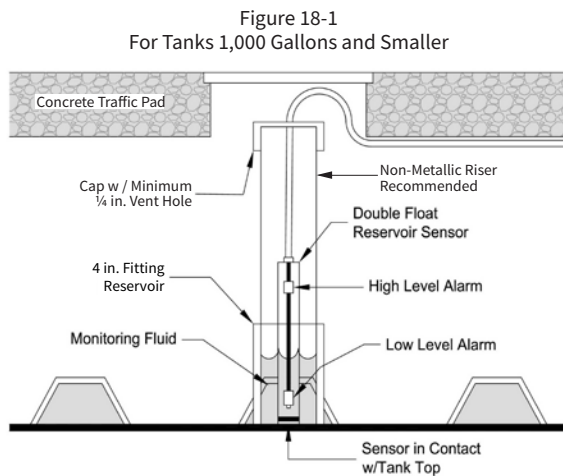
### 18.2. Hydrostatic Monitoring

- 18.2.1. Because of its superior leak detection capability, we recommend the Hydrostatic Tank Monitor for continuous monitoring of the annular space. However, the tank owner or the tank owner's representative is responsible for selecting the monitoring system.
- 18.2.2. Tanks with hydrostatic monitoring systems normally arrive with monitoring fluid installed in the annular space and some fluid in the reservoir.
  - 18.2.2.1. After installation, the fluid level in the reservoir must be filled to the proper level.
  - 18.2.2.2. Additional monitoring fluid is supplied with the tank for this purpose.
- 18.2.3. Vent annular space with a minimum ¼ in. hole at riser top.

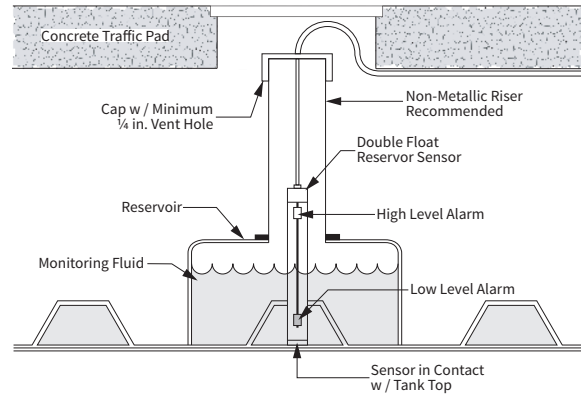
### NOTICE

**Hydrostatic monitoring space between the inner and outer tank must be vented to the atmosphere. If unvented, pressure buildup can cause damage to the tank and/or surrounding property.**

- 18.2.4. When installing a double float sensor, the bottom of the sensor must be in contact with the tank top (see Figure 18-1 and 18-2).



**Figure 18-2**  
For Tanks Larger than 1,000 Gallons



### CAUTION

**Always wear safety glasses and protective clothing when handling monitoring fluid. Spillage may cause surfaces to be slippery. Failure to follow instructions could result in minor to moderate personal injury. Refer to SDS sheet for additional information.**

- 18.2.5. The standard tank monitoring fluid is a calcium chloride in water (brine) with a biodegradable green tint for visibility.

### NOTICE

**Mixing Brine and Propylene Glycol will cause gelling and sensor malfunction.**

- 18.2.6. Add monitoring fluid to the reservoir until the fluid level matches the following table values in Table 18-1.

Table 18-1

Tank Diameter & Capacity	Reservoir Fluid Level Measurement		
	Tank is Empty	Tank is Half Full	Tank is Full
4 ft. (1M and less)	5¼ in. (133mm)	7 in. (178mm)	8¾ in. (222mm)
4 ft. (over 1M thru 2M)	4¼ in. (108mm)	4¾ in. (121mm)	5 in. (127mm)
6 ft. (6M and less)	4 in. (102mm)	4¾ in. (121mm)	5½ in. (140mm)
6 ft. (over 6M thru 10M)	3½ in. (89mm)	4¾ in. (121mm)	6 in. (152mm)
8 ft. (6M and less)	4¼ in. (108mm)	4¾ in. (121mm)	5¼ in. (133mm)
8 ft. (over 6M thru 15M)	4¼ in. (108mm)	5 in. (127mm)	6 in. (152mm)
10 ft. (13M and less)	4¾ in. (114mm)	5½ in. (133mm)	6¼ in. (152mm)
10 ft. (over 13M thru 20M)	5¼ in. (133mm)	6½ in. (165mm)	8 in. (203mm)
10 ft. (over 20M thru 35M)	3¾ in. (95mm)	6½ in. (165mm)	9½ in. (241mm)
10 ft. (over 35M thru 50M)	4 in. (102mm)	5¾ in. (146mm)	7¼ in. (191mm)
12 ft. (25M and less)	4 in. (102mm)	6½ in. (165mm)	9¼ in. (235mm)
12 ft. (over 25M thru 40M)	4 in. (102mm)	5¾ in. (146mm)	7¼ in. (184mm)
12 ft. (over 40M thru 50M)	3½ in. (89mm)	5¾ in. (146mm)	8 in. (203mm)
TW 4, 6, 8, 10, 12 ft.			
Second Annular Space all capacities	4¼ in. (108mm)	4¾ in. (121mm)	5 in. (127mm)
TW 4, 6, 8, 10, 12 ft. Primary Annular Space	use same values as for the annular space of a DW tank of equivalent size		

# Collars, Tanks Sumps & Tank Risers / Operating Guidelines

- 18.2.7. A factory-installed monitoring fluid system provides continuous monitoring and the ability to conduct an optional hydrostatic stand pipe test. Refer to Supplemental Documents.
- 18.2.8. If the reservoir sensor indicates a high or low level alarm, it is necessary to first determine that the alarm is not the result of an incorrect fluid level setting or changes in environmental conditions.
  - 18.2.8.1. Remove the sensor.
  - 18.2.8.2. Test the sensor for proper operation.
  - 18.2.8.3. Check that the float sensor is positioned on the tank top. The bottom float should be within 2 in. of the bottom and floats are spaced a minimum of 11 in. apart.
  - 18.2.8.4. Reset the fluid level in the reservoir by adding or removing fluid as indicated in Table 18-1.
  - 18.2.8.5. Reinstall the sensor.
  - 18.2.8.6. If alarms continue, additional instructions for setting the monitoring fluid level are available from Field Service.

### 18.3. Dry Annular Space Monitoring with Sensor

- 18.3.1. Consult monitoring equipment manufacturer for proper installation.
- 18.3.2. If your tank is sloped, ensure monitor fitting is at the low end of the tank.
- 18.3.3. Calibration charts are designed for level tank installation. Sloped tanks will affect the tank calibration chart accuracy.
- 18.3.4. Use a wire puller to position sensor at the tank bottom. A temporary pull wire is installed in the monitoring space from the factory.
- 18.3.5. For ease of installation insert the sensor in the tank cavity before installing the monitoring riser pipe to grade. Use a minimum 4 in. diameter riser to grade for removal and replacement of sensor.
- 18.3.6. Install a permanent pull cable accessible at grade to facilitate periodic sensor inspections.
- 18.3.7. For dry monitored double-wall tanks, annular space does not need to be vented.

### 18.4. Dry Annular Space Monitoring with Vacuum or Air Pressure

- 18.4.1. Consult monitoring equipment manufacturer for proper installation.
- 18.4.2. Maximum vacuum for continuous vacuum monitoring is 5 psig utilizing an approved vacuum monitoring system with a vacuum make-up pump.
- 18.4.3. Maximum pressure for continuous air pressure monitoring is 3 psig utilizing an approved pressure monitoring system with a pressure make-up pump. Ensure the system is designed to prevent over pressurization of the annular space as tank damage may occur.

- 18.4.4. Sealed dry annular space monitoring systems may require periodic vacuum or pressure adjustments due to environmental or varying operating conditions.
- 18.4.5. Sealed systems must include provisions that prevent the vacuum or pressure levels from exceeding allowed values as a result of changes in fuel level, barometric pressure, temperature, or other operating or environmental considerations.

## 19. CONTAINMENT COLLARS, TANK SUMPS & ACCESS RISERS

### NOTICE

**In freezing conditions, protect collar channels, access riser open channel, and sump from water accumulation. Freezing water may cause damage.**

### NOTICE

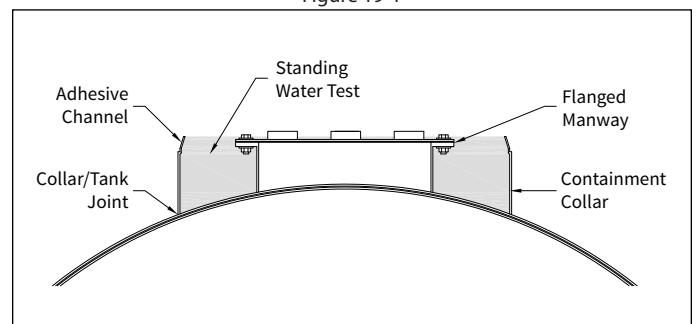
**Secondary containment collar must be continuously monitored for potential spills or leaks.**

- 19.1. Single and double-wall containment collars are factory installed to the tank top to provide a means of secondarily containing leaks from pumps and piping.
- 19.2. Containment Solutions™ tank sumps are designed to provide a watertight connection to the tank collar utilizing an adhesive joint.

### 19.3. Collar Test Instructions

- 19.3.1. Before sump assembly the containment collars must be leak tested.
- 19.3.2. Place and secure measuring stick with 1/16 in. (0.0625 in.) increments in the sump to measure any changes in the liquid level.
- 19.3.3. Fill collar with water to highest point and wait 15 minutes.
- 19.3.4. Record the liquid level.
- 19.3.5. Wait a minimum of 1 hour.
- 19.3.6. Re-measure the liquid level. A liquid change of more than 1/8 in. (0.125 in.) indicates a possible leak (see Figure 19-1).

Figure 19-1



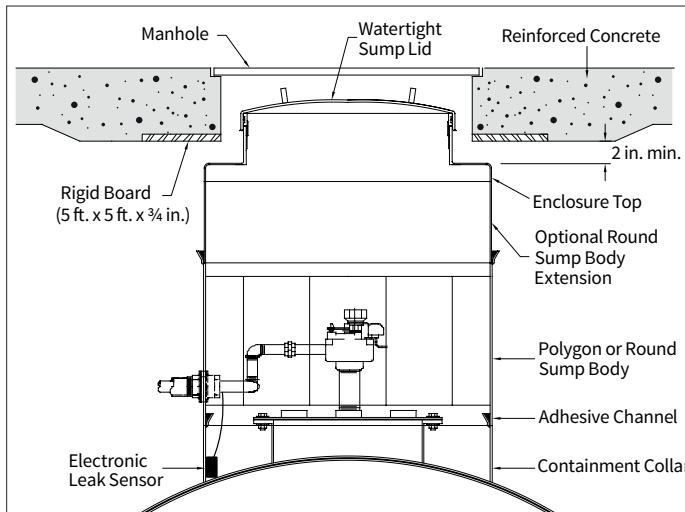
- 19.3.6.1. Visually inspect the collar connection to tank wall and adhesive channel joint for leaks.
- 19.3.6.2. Test liquids must be disposed of properly.



## 19.4. All Tank Collars and Sumps

- 19.4.1. Must be continuously monitored for leaks using an electronic leak monitoring sensor.
- 19.4.2. Must be isolated from direct traffic loading (see Figure 19-2).
- 19.4.3. Single and Double-Wall Tank Sump Installation Instructions are available. Refer to Supplemental Documents.

Figure 19-2



## 19.5. Access Risers (Non Petroleum Tanks)

- 19.5.1. Access Riser Installation Instructions are available. Refer to Supplemental Documents.

## 20. OPERATING GUIDELINES

### 20.1. General

- 20.1.1. The tank installation checklist, these instructions, and any correspondence related to the tank installation must be retained by the tank owner. The checklist will be required and must be provided when making a warranty claim.
- 20.1.2. For the life of the installation, the installed tank must comply with NFPA (30, 30A, and 31) and all applicable Federal, State, Local or Provincial codes and regulations.
- 20.1.3. It is the responsibility of the tank owner/operator to follow these instructions and operating guidelines and all limitations as stated in the limited warranties in effect at time of delivery.
- 20.1.4. The limited warranty in effect at the time of tank delivery will apply and is available online.
- 20.1.5. UL Evaluation
  - 20.1.5.1. Tanks have been evaluated by UL at a maximum burial depth of 7ft. Tanks can be ordered designed for deeper burial depths.
  - 20.1.5.2. Tanks have also been evaluated by UL at a maximum test pressure of 5.0 psig (3.0 psig for tanks > 10ft dia).

- 20.1.5.3. Tanks have been evaluated by UL with the annular space full of a 1.3 specific gravity fluid, a maximum rated dry interstitial pressure of 3 psig and a maximum rated dry interstitial vacuum of 5 psig.

### 20.2. Fiberglass Tanks Intended Use

- 20.2.1. Each tank is designed and manufactured to store products for the intended use as outlined in the applicable limited warranty. Storing products other than those identified in the applicable limited warranty or otherwise approved by us in writing will void the manufacturer's obligations under the limited warranty and could result in tank failure and/or damage to surrounding property.
- 20.2.2. The temperature of stored product must not exceed the temperature limits defined in the applicable limited warranty.
- 20.2.3. Product delivery temperatures must not exceed the temperature limits defined in the applicable limited warranty.
- 20.2.4. Ensure that downward forces from nearby structures are not transmitted to existing tanks.
- 20.2.5. Additional tanks may be installed adjacent to existing tanks by using the methods described in these installation instructions.
- 20.2.6. Chemical tanks have special operating instructions. Refer to the Chemical Tank Order Acknowledgment form provided upon ordering for special instructions which may include:
  - Continuous monitoring
  - Continuous agitation
  - 72 hour clean and rinse requirement
  - Maintain at least 20% water in tank with max 5% chemical concentration
- 20.2.7. Oil Water Separators and Interceptors have special operating instructions. Refer to Supplemental Documents.

### 20.3. Confined Space Entry

#### ⚠ WARNING

**Do not enter tank or other confined spaces unless following OSHA guidelines for confined space entry. Failure to follow OSHA guidelines could result in death or serious injury.**



ASPHYXIATION



FIRE



EXPLOSION

- 20.3.1. Tanks, containment sumps, manway extensions and access risers are confined spaces.
- 20.3.2. Confined space entry by unqualified personnel can lead to fire, explosion, asphyxiation and/or death.
- 20.3.3. Only properly trained and equipped personnel should enter

# Operating Guidelines / Conversion Formulas

a confined space. Proper permits and industry accepted minimum standards must be followed.

- 20.3.4. Do not attempt to make any repairs or modifications. Any repairs or modifications not made by FGS will void the limited warranty.
- 20.3.5. For product repairs, modifications or inspections, contact Field Service.

## 20.4. Filling / Venting Tanks (General)

- 20.4.1. Underground tanks are designed to operate at atmospheric

### ⚠ WARNING

**Over-pressurizing the tank could result in tank failure and could result in death or serious injury.**

### NOTICE

**Pressurized product deliveries are not recommended and may pressurize the tank and result in tank damage.**

pressure. Tanks may be damaged by pressurized product deliveries or situations in which hydrostatic head pressure exceeds tank design.

- 20.4.2. All products must be gravity fed into the tank unless positive shut-off equipment is installed in the lines and on the truck.
- 20.4.3. If the delivery vehicle uses pumps to fill the tank, precautions must be taken as outlined in the "Filling Tanks" section of this manual.
- 20.4.4. Product delivery from vehicles using pressure in the delivery truck vapor space is not allowed.
- 20.4.5. The tank's venting system must be adequately sized to ensure that atmospheric pressure is maintained at all times, including when filling and emptying the tank.
- 20.4.6. For tanks with inlet or outlet piping that will result in pressure at the tank top, the pressure should be limited to 1 psig.
- 20.4.7. For UL/ULC tanks, The Petroleum Equipment Institute has published several recommended practices (PEI/RP900 and PEI/RP1200) that address proper maintenance, inspection and testing of overfill prevention equipment. Tank owners should obtain a copy of the documents at <http://www.pei.org>. In addition, the Fiberglass Tank and Pipe Institute has published a white paper on the adverse effects of using vent restriction devices such as ball-float valves and the unintended consequences that may occur see <http://www.fiberglassstankandpipe.com>.
- 20.4.8. The owner must make sure the tank is properly vented at all times as described in the venting section of this manual. Vent piping and pressure/vacuum relief valves should be properly installed, unobstructed and operating properly.
- 20.4.9. Do not use ball float valves for overfill protection.
- 20.4.10. For tanks with vapor recovery systems, the pressure or vacuum cannot exceed 1 psig.
- 20.4.11. It is strongly recommended that the tank be gravity filled

and that the owner regularly inspect the automatic shut off device and the vent system (including vacuum relief valves) for proper operation.

- 20.4.12. When grounding underground equipment, the tank cannot be grounded or used as a ground. Consult the respective OEMs for guidance on proper grounding of their equipment.
- 20.4.13. If flooding may occur, precautions should be taken to prevent tank floating and equipment damage. See EPA "Underground Storage Tanks Flood Guide". See Ballasting section in these instructions should ballasting tanks be required.

## 20.5. Containment Sumps, Manway Extensions, and Access Risers

- 20.5.1. Tank owner must leak test the collar and containment

### NOTICE

**In freezing conditions, protect collar and sump from water accumulation. Freezing water may cause damage.**

sump after any damage, repairs, modifications or to meet regulatory requirements.

- 20.5.2. Tank sumps must be continuously monitored with an electronic leak detector for potential spills or leaks.
- 20.5.3. During the first 12 months after installation, final adjustments of the annular space fluid may be necessary to account for expansion or contraction of any entrapped air in the annular space of double-wall tank sumps. Annular space fluid levels can also be affected by expansion and contraction of the liquid. Localized environmental and/or weather conditions may cause the annular space fluid to evaporate.
- 20.5.4. After the first year, adjustments should not be required more than every 6 months due to seasonal weather conditions.
- 20.5.5. If annular space fluid is adjusted more frequently than every 6 months, Field Service should be immediately contacted to evaluate for a leak.

## 20.6. Consumables

- 20.6.1. Gaskets are consumable products which may require periodic replacement when deteriorated or leaking.

## 21. CONVERSION FORMULAS

- 21.1. Use this as a guide if a dimension does not have a metric conversion printed.

### LENGTH

- mm = millimeters
- 1 in. = 25.4 mm
- 1 ft. = 304.8 mm

### PRESSURE

- kPa = kilopascals
- 1 psi = 6.895 kPa

### WEIGHT

- kg = kilogram
- 1 lb = 0.4536 kg

### CAPACITY

- L = liters
- 1 gal = 3.785 L

# Appendix A - Anchor Chart (4, 6, 8 ft Diameter Tanks)

## Anchor Chart

Minimum burial depth to achieve 1.2 safety factor against flotation assuming worst case conditions of water to grade and the tank empty.  
Assumes multiple tank installation.

	Tank Diameter & Nominal Capacity in Gallons (Including all Compartments)	Space Between Tanks	# of Anchor Straps	# of Sumps or Risers (Backfill to Grade No Traffic / Backfill with 6 in. Concrete Traffic Pad)				
				0	1	2	3	4
<b>4 ft. Diameter Tanks</b>	up to 1,000 w/ 12 in. x 12 in. DM	24 in.	2	24 in. / 24 in.	33 in. / 24 in.	-	-	-
	up to 1,000 w/ 8 in. Pad	24 in.	2	24 in. / 24 in.	33 in. / 24 in.	-	-	-
	up to 1,000 No Mech	18 in.	0	29 in. / 26 in.	58 in. / 53 in.	-	-	-
	1,100 - 1,500 w/ 12 in. x 12 in. DM	24 in.	2	24 in. / 24 in.	33 in. / 24 in.	81 in. / 68 in.	-	-
	1,100 - 1,500 w/ 8 in. Pad	24 in.	2	24 in. / 24 in.	45 in. / 38 in.	81 in. / 68 in.	-	-
	1,100 - 1,500 No Mech	18 in.	0	29 in. / 26 in.	51 in. / 46 in.	74 in. / 68 in.	-	-
	1,600 - 2,000 w/ 12 in. x 12 in. DM	24 in.	4	24 in. / 24 in.	35 in. / 26 in.	35 in. / 26 in.	-	-
	1,600 - 2,000 w/ 8 in. Pad	24 in.	4	24 in. / 24 in.	35 in. / 26 in.	35 in. / 26 in.	-	-
	1,600 - 2,000 No Mech	18 in.	0	30 in. / 27 in.	46 in. / 41 in.	57 in. / 52 in.	-	-
<b>6 ft. Diameter Tanks</b>	up to 4,000 w/ 12 in. x 12 in. DM	24 in.	2	28 in. / 24 in.	43 in. / 38 in.	52 in. / 46 in.	-	-
	up to 4,000 w/ 8 in. Pad	24 in.	2	28 in. / 24 in.	43 in. / 38 in.	52 in. / 46 in.	-	-
	up to 4,000 No Mech	18 in.	0	44 in. / 41 in.	62 in. / 58 in.	73 in. / 69 in.	-	-
	4,100 - 6,000 w/ 12 in. x 12 in. DM	24 in.	4	27 in. / 24 in.	33 in. / 29 in.	36 in. / 31 in.	65 in. / 57 in.	-
	4,100 - 6,000 w/ 8 in. Pad	24 in.	4	26 in. / 24 in.	31 in. / 28 in.	34 in. / 28 in.	65 in. / 57 in.	-
	4,100 - 6,000 No Mech	18 in.	0	46 in. / 43 in.	59 in. / 55 in.	62 in. / 58 in.	75 in. / 71 in.	-
	6,100 - 10,000 w/ 12 in. x 12 in. DM	24 in.	6	29 in. / 26 in.	33 in. / 30 in.	36 in. / 32 in.	41 in. / 36 in.	45 in. / 39 in.
	6,100 - 10,000 w/ 8 in. Pad	24 in.	6	29 in. / 26 in.	33 in. / 30 in.	36 in. / 32 in.	41 in. / 36 in.	45 in. / 39 in.
	6,100 - 10,000 No Mech	18 in.	0	47 in. / 44 in.	56 in. / 52 in.	57 in. / 54 in.	64 in. / 60 in.	68 in. / 64 in.
<b>8 ft. Diameter Tanks</b>	up to 7,000 w/ 12 in. x 12 in. DM	24 in.	2	36 in. / 32 in.	47 in. / 43 in.	53 in. / 48 in.	-	-
	up to 7,000 w/ 8 in. Pad	24 in.	2	36 in. / 32 in.	47 in. / 43 in.	53 in. / 48 in.	-	-
	up to 7,000 No Mech	18 in.	0	58 in. / 55 in.	73 in. / 69 in.	82 in. / 78 in.	-	-
	7,100 - 12,000 w/ 12 in. x 12 in. DM	24 in.	4	39 in. / 35 in.	45 in. / 41 in.	47 in. / 43 in.	65 in. / 60 in.	65 in. / 60 in.
	7,100 - 12,000 w/ 8 in. Pad	24 in.	4	38 in. / 35 in.	42 in. / 39 in.	42 in. / 39 in.	65 in. / 60 in.	65 in. / 60 in.
	7,100 - 12,000 No Mech	18 in.	0	61 in. / 58 in.	72 in. / 68 in.	76 in. / 72 in.	84 in. / 81 in.	NA
	13,000 - 16,000 w/ 12 in. x 12 in. DM	24 in.	6	41 in. / 38 in.	46 in. / 42 in.	47 in. / 43 in.	52 in. / 47 in.	68 in. / 61 in.
	13,000 - 16,000 w/ 8 in. Pad	24 in.	6	38 in. / 35 in.	42 in. / 39 in.	42 in. / 39 in.	52 in. / 47 in.	68 in. / 61 in.
	13,000 - 16,000 No Mech	18 in.	0	62 in. / 59 in.	71 in. / 68 in.	73 in. / 70 in.	80 in. / 76 in.	84 in. / 81 in.
	17,000 - 20,000 w/ 12 in. x 12 in. DM	24 in.	8	42 in. / 38 in.	46 in. / 42 in.	47 in. / 43 in.	50 in. / 42 in.	52v / 48 in.
	17,000 - 20,000 w/ 8 in. Pad	24 in.	8	34 in. / 31 in.	38 in. / 35 in.	41 in. / 37 in.	41 in. / 37 in.	41v / 37 in.
17,000 - 20,000 No Mech	18 in.	0	63 in. / 60 in.	70 in. / 66 in.	71 in. / 67 in.	76 in. / 72 in.	79 in. / 75 in.	

Contact Tank Technical Support for alternate anchoring methods.

- Note:** DM = Concrete Deadman Anchors  
 Pad = Concrete anchor pad under tank  
 No Mech = No mechanical anchoring  
 NA = Not allowed

# Appendix A - Anchor Chart (10, 12 ft Diameter Tanks)

## Anchor Chart

Minimum burial depth to achieve 1.2 safety factor against flotation assuming worst case conditions of water to grade and the tank empty. Assumes multiple tank installation.

Tank Diameter & Nominal Capacity in Gallons (Including all Compartments)	Space Between Tanks	# of Anchor Straps	# of Sumps or Risers (Backfill to Grade No Traffic / Backfill with 6 in. Concrete Traffic Pad)					
			0	1	2	3	4	
10 ft. Diameter Tanks	up to 10,000 w/ 18 in. x 8 in. DM	36 in.	3	44 in. / 39 in.	50 in. / 44 in.	57 in. / 51 in.	-	-
	up to 10,000 w/ 8 in. Pad	24 in.	3	33 in. / 29 in.	39 in. / 35 in.	57 in. / 51 in.	-	-
	up to 10,000 No Mech	18 in.	0	78 in. / 75 in.	NA	NA	-	-
	10,000 - 18,000 w/ 18 in. x 8 in. DM	36 in.	4	47 in. / 43 in.	53 in. / 49 in.	55 in. / 50 in.	76 in. / 70 in.	80 in. / 75 in.
	10,000 - 18,000 w/ 8 in. Pad	24 in.	4	47 in. / 43 in.	53 in. / 49 in.	55 in. / 50 in.	76 in. / 70 in.	80 in. / 75 in.
	10,000 - 18,000 No Mech	18 in.	0	83 in. / 80 in.	NA	NA	NA	NA
	19,000 - 23,000 w/ 18 in. x 8 in. DM	36 in.	6	44 in. / 40 in.	49 in. / 45 in.	51 in. / 47 in.	62 in. / 60 in.	72 in. / 67 in.
	19,000 - 23,000 w/ 8 in. Pad	24 in.	6	41 in. / 37 in.	51 in. / 47 in.	51 in. / 47 in.	62 in. / 60 in.	72 in. / 67 in.
	19,000 - 23,000 No Mech	18 in.	0	84 in. / 81 in.	NA	NA	NA	NA
	24,000 - 35,000 w/ 18 in. x 8 in. DM	36 in.	8	51 in. / 47 in.	57 in. / 53 in.	70 in. / 66 in.	70 in. / 66 in.	70 in. / 66 in.
	24,000 - 35,000 w/ 8 in. Pad	24 in.	8	51 in. / 47 in.	57 in. / 53 in.	69 in. / 65 in.	69 in. / 65 in.	69 in. / 65 in.
	24,000 - 35,000 No Mech	18 in.	0	84 in. / 81 in.	NA	NA	NA	NA
	36,000 - 40,000 w/ 18 in. x 8 in. DM	36 in.	10	49 in. / 46 in.	54 in. / 51 in.	59 in. / 55 in.	60 in. / 56 in.	60 in. / 56 in.
	36,000 - 40,000 w/ 8 in. Pad	24 in.	10	47 in. / 46 in.	54 in. / 51 in.	59 in. / 55 in.	62 in. / 58 in.	65 in. / 60 in.
	36,000 - 40,000 No Mech	18 in.	0	84 in. / 81 in.	NA	NA	NA	NA
12 ft. Diameter Tanks	up to 25,000 w/ 18 in. x 8 in. DM	36 in.	8	59 in. / 56 in.	65 in. / 61 in.	66 in. / 63 in.	72 in. / 68 in.	76 in. / 72 in.
	up to 25,000 w/ 8 in. Pad	24 in.	8	43 in. / 40 in.	54 in. / 49 in.	62 in. / 58 in.	62 in. / 58 in.	62 in. / 58 in.
	up to 25,000 No Mech	24 in.	0	80 in. / 77 in.	NA	NA	NA	NA
	26,000 - 35,000 w/ 18 in. x 8 in. DM	36 in.	10	62 in. / 59 in.	67 in. / 63 in.	68 in. / 64 in.	71 in. / 68 in.	75 in. / 71 in.
	26,000 - 35,000 w/ 8 in. Pad	24 in.	10	49 in. / 46 in.	63 in. / 59 in.	63 in. / 59 in.	63 in. / 59 in.	66 in. / 62 in.
	26,000 - 35,000 No Mech	24 in.	0	83 in. / 80 in.	NA	NA	NA	NA
	36,000 - 45,000 w/ 18 in. x 8 in. DM	36 in.	12	64 in. / 61 in.	68 in. / 64 in.	68 in. / 65 in.	72 in. / 68 in.	74 in. / 71 in.
	36,000 - 45,000 w/ 8 in. Pad	24 in.	12	53 in. / 50 in.	63 in. / 59 in.	63 in. / 59 in.	67 in. / 63 in.	67 in. / 63 in.
	36,000 - 45,000 No Mech	24 in.	0	84 in. / 81 in.	NA	NA	NA	NA
	46,000 - 50,000 w/ 18 in. x 8 in. DM	36 in.	14	64 in. / 61 in.	68 in. / 65 in.	69 in. / 65 in.	72 in. / 68 in.	73 in. / 70 in.
	46,000 - 50,000 w/ 8 in. Pad	24 in.	14	49 in. / 46 in.	63 in. / 59 in.	63 in. / 59 in.	63 in. / 59 in.	63 in. / 59 in.
	46,000 - 50,000 No Mech	24 in.	0	84 in. / 81 in.	NA	NA	NA	NA

Contact Tank Technical Support for alternate anchoring methods.

- Note:** DM = Concrete Deadman Anchors  
 Pad = Concrete anchor pad under tank  
 No Mech = No mechanical anchoring  
 NA = Not allowed

## Appendix B - Standard Tank Sizes

### Standard Tank Sizes

The following table represents the most popular tank sizes at the various tank diameters.

Tank Diameter	Capacity		Length		Single-Wall Weight		Double-Wall Weight*	
	Nominal	Liters	Feet/Inch	Millimeter	Pound	Kilogram	Pound	Kilogram
4 ft.	600 gal	/ 2,297 L	7 ft. 3 in.	/ 2,210	320	/ 145	975	/ 442
4 ft.	1,000 gal	/ 3,661 L	11 ft. 1 in.	/ 3,378	400	/ 181	1,235	/ 560
	/		/		/		/	
6 ft.	2,500 gal	/ 10,191 L	13 ft. 9 in.	/ 4,191	1,300	/ 589	2,650	/ 1,202
6 ft.	3,000 gal	/ 12,594 L	16 ft. 9 in.	/ 5,105	1,500	/ 680	3,000	/ 1,361
6 ft.	4,000 gal	/ 15,001 L	19 ft. 9 in.	/ 6,020	1,650	/ 748	3,550	/ 1,610
6 ft.	5,000 gal	/ 19,007 L	24 ft. 9 in.	/ 7,544	2,000	/ 907	4,350	/ 1,973
6 ft.	6,000 gal	/ 23,418 L	30 ft. 3 in.	/ 9,220	2,300	/ 1,043	5,100	/ 2,313
	/		/		/		/	
8 ft.	5,000 gal	/ 18,749 L	16 ft. 9 in.	/ 5,105	1,800	/ 816	3,600	/ 1,633
8 ft.	6,000 gal	/ 22,350 L	19 ft. 6 in.	/ 5,944	2,050	/ 930	4,050	/ 1,837
8 ft.	8,000 gal	/ 29,547 L	25 ft. 0 in.	/ 7,620	2,450	/ 1,111	5,000	/ 2,268
8 ft.	10,000 gal	/ 36,748 L	30 ft. 6 in.	/ 9,296	2,900	/ 1,520	5,950	/ 2,699
8 ft.	12,000 gal	/ 43,945 L	36 ft. 0 in.	/ 10,972	3,350	/ 10,947	7,050	/ 3,198
8 ft.	15,000 gal	/ 55,126 L	44 ft. 6 in.	/ 13,576	4,500	/ 2,041	9,350	/ 4,241
	/		/		/		/	
10 ft.	10,000 gal	/ 38,874 L	20 ft. 11 in.	/ 6,388	3,600	/ 1,633	7,500	/ 3,402
10 ft.	12,000 gal	/ 44,999 L	23 ft. 8 in.	/ 7,226	4,000	/ 1,814	8,600	/ 3,901
10 ft.	15,000 gal	/ 57,244 L	29 ft. 2 in.	/ 8,903	4,750	/ 2,155	10,500	/ 4,762
10 ft.	20,000 gal	/ 75,614 L	37 ft. 5 in.	/ 11,417	6,100	/ 2,767	13,550	/ 6,146
10 ft.	25,000 gal	/ 94,636 L	46 ft. 0 in.	/ 14,021	7,550	/ 3,425	17,100	/ 7,756
10 ft.	30,000 gal	/ 113,003 L	54 ft. 3 in.	/ 16,535	8,750	/ 3,969	20,400	/ 9,253
10 ft.	35,000 gal	/ 132,025 L	62 ft. 9 in.	/ 19,139	10,050	/ 4,559	24,350	/ 11,045
10 ft.	40,000 gal	/ 151,047 L	71 ft. 4 in.	/ 21,742	11,600	/ 5,262	27,750	/ 12,587
	/		/		/		/	
12 ft.	20,000 gal	/ 75,974 L	27 ft. 6 in.	/ 8,382	8,600	/ 3,900	21,500	/ 9,755
12 ft.	25,000 gal	/ 96,588 L	34 ft. 6 in.	/ 10,516	10,400	/ 4,717	26,100	/ 11,840
12 ft.	30,000 gal	/ 114,257 L	40 ft. 6 in.	/ 12,344	11,900	/ 5,398	30,350	/ 13,770
12 ft.	35,000 gal	/ 134,378 L	47 ft. 4 in.	/ 14,427	13,850	/ 6,282	35,100	/ 15,925
12 ft.	40,000 gal	/ 152,047 L	53 ft. 4 in.	/ 16,256	15,400	/ 6,985	39,050	/ 17,715
12 ft.	45,000 gal	/ 172,452 L	60 ft. 4 in.	/ 18,390	17,200	/ 7,802	43,650	/ 19,800
12 ft.	50,000 gal	/ 189,841 L	66 ft. 2 in.	/ 20,168	18,850	/ 8,550	47,650	/ 21,615

\*The double-wall weights are based on hydrostatically monitored tanks filled with monitoring fluid prior to delivery.

# Tank Installation Checklist

## For Containment Solutions™ Fiberglass Underground Tanks

The tank installation checklist, these instructions, and any correspondence related to the tank installation must be retained by tank owner. This checklist will be required and must be provided when making a warranty claim.

Site Owner \_\_\_\_\_ Date of Installation \_\_\_\_\_

Site Address \_\_\_\_\_  
Street City State Zip

Installing Contractor \_\_\_\_\_  
Company Street City State Zip

General Site Procedures	Initial On Lines Below	
	Completed	N/A
<b>1. Installation backfill material meets specification (sieve analysis is attached).</b> Indicate which material you used: <ul style="list-style-type: none"> <li><input type="checkbox"/> Pea Gravel</li> <li><input type="checkbox"/> Crushed Stone</li> <li><input type="checkbox"/> Other (approval letter attached)</li> </ul>	_____	_____
<b>2. Backfill above tank top.</b> Indicate which material you used: <ul style="list-style-type: none"> <li><input type="checkbox"/> Same backfill material as #1 above</li> <li><input type="checkbox"/> Geotextile and alternative material above tank top</li> </ul>	_____	_____
<b>3. Excavation and tank clearance meet requirements of Section 6.</b>	_____	_____
<b>4. Geotextile used to line excavation:</b> <input type="checkbox"/> Yes <input type="checkbox"/> No	_____	_____
<b>5. Indicate hole condition:</b> <ul style="list-style-type: none"> <li><input type="checkbox"/> Dry hole (Water is not anticipated to reach tank – area is not subject to flooding)</li> <li><input type="checkbox"/> Wet hole (Excavation may trap water – area is subject to flooding)</li> </ul>	_____	_____
<b>6. Anchoring performed in accordance with installation instructions:</b> Indicate which method you used <ul style="list-style-type: none"> <li><input type="checkbox"/> Deadmen</li> <li><input type="checkbox"/> Anchor Pad</li> <li><input type="checkbox"/> No mechanical anchoring</li> </ul>	_____	_____
<b>7. Depth of backfill under tank</b> _____ inches	_____	_____
<b>8. All deflection measurements are recorded on reverse side.</b>	_____	_____
<b>9. Backfill placed in 12 in. lifts &amp; probed as described in Section 12.</b>	_____	_____
<b>10. Tanks ballasted according to Section 10.</b>	_____	_____
<b>11. Tank burial depth complies with the requirements of Section 8.</b>	_____	_____
<b>12. Piping and bottom sump clearances according to Section 14.</b>	_____	_____
<b>13. All piping connections are flexible connections according to Section 14.</b>	_____	_____

Installation was in accordance with Tank Installation Instructions (INST. 1300). Tank Information Continued on next page

Owner Representative (Print Name)	Date	Contractor Representative (Print Name)	Date
Owner Representative (Signature)	Date	Contractor Representative (Signature)	Date

**Tank Specific Information**

**Tank Number**

**1                      2                      3                      4                      5**

**14. Underwriter Laboratories label or tank serial number.**

**15. Tank type.\***

(Indicate SW, DW, SW-OWS, or DW-OWS for each tank)

**16. Interstitial Monitor type.\*\***

(Indicate HYDRO, DRY, VAC or PRES for each tank)

**17. Tank capacity.**

(Indicate unit of measurement and record the capacities for each tank)

Select one:  Gallons     Liters

**18. Tank free of visual damage.**

(Document damage found and attach to this form)

**19. Monitoring fluid visible on inner or outer tank wall.**

(Indicate Yes or No for each tank)

**20. Pre-Installation air/soap test performed without leaks.**

Indicate which test you used per tank:

**21. Hydrostatically monitored tanks:**

Indicate Yes or N/A for each step completed per tank:

- Sensor sits on tank top
- Check and record monitoring-fluid level in reservoir
- Annular space vented

**22. Vacuum monitored tanks:**

**record vacuum date**

**record vacuum level**

\* **SW** = Single Wall Tank • **DW** = Double-Wall Tank • **SW-OWS** = SW Oil / Water Separator • **DW-OWS** = DW Oil / Water Separator

\*\* **HYDRO** = Hydrostatic • **DRY** = Dry interstice space with probe • **VAC** = Vacuum • **PRES** = Positive Air Pressure

**Tank Deflection Measurements**

Measurement instructions are found in Section 12 of Tank Installation Instructions.

1) First Vertical Diameter Measurement (Section 12, Figure 12-1)

2) Second Vertical Diameter Measurement (Section 12, Figure 12-2)

3) Third Vertical Diameter Measurement (Section 12, Figure 12-6)

**Measurement A** - Tank deflection with backfill at tank top  
(subtract Measurement 3 from Measurement 1 above)

**Refer to Table 12-1 for max. deflection values.**

4) Fourth Vertical Diameter Measurement (Section 12, Figure 12-7)

5) Fifth Vertical Diameter Measurement (Section 12, Figure 12-8)

6) Calculate the final vertical diameter measurement  
(subtract Measurement 5 from Measurement 4 above)

**Measurement B** - Tank deflection at subgrade  
(subtract Calculated Value (6) from Measurement 1 above)

**Refer to Table 12-1 for max. deflection values.**

**NOTICE**

If Measurement A or Measurement B exceeds the values shown in Table 12-1, immediately contact Tank Technical Support prior to proceeding with the installation.

**Tank Technical Support: (800) 537-4730**

Table 12-1

Tank Diameter	Maximum Deflection	
4 ft.	½ in.	(12mm)
6 ft.	¾ in.	(19mm)
8 ft.	1¼ in.	(31mm)
10 ft.	1½ in.	(38mm)
12 ft.	1¾ in.	(44mm)

**Fiber Glass Systems**

17115 San Pedro Ave., Suite 200  
San Antonio, Texas 78232  
USA

**Conroe Office**

500 Conroe Park West Drive  
Conroe, Texas 77303  
USA

© January 2023 NOV Inc. All rights reserved.  
INS1300 | JIG 22-CAPS-FGS-FH-0935-Underground-Tank-INST