



Lidec L20D

Application: oil and fuel tanks - high or low level

The Lidec L20D is based on the propagation of a surface wave. This design does not include any moving part. The reliability of the device is ensured by a built-in function which monitors electronic or transducer failures.

The Lidec L20D designed to be installed horizontally (or vertically), can be used for all types of liquids. Also, it requires

no calibration as not influenced by type of fluid.

L20D - Technical Specifications

Technical Data

| | |
|--------------------------------|--------------------------------------------------------------------------------------|
| Accuracy: | +/- 2 mm |
| Operating temperatures: | ambient temperature: -25°C to + 70°C liquid temperature: -40°C to + 150°C |
| Power supply: | 18 to 36 Vdc (28 Vdc max for I.S.) |
| Pressure: | 25 bar |
| Intrinsically safe: | II 1 G D Ex ia IIC or IIB T6, T5, T4 Ex ia III C T80°C or T95°C or T120°C Da IP6X |
| Protection class: | IP65 |
| Weight: | 0.7 kg |
| Materials: | - Probe: Stainless steel 316L - Head : Aluminum |
| Lengths: | L= 75, 120 or 200mm |
| Fitting: | 1/2" BSPT |

Special Features

- Current output according to model:
 - L20D-H:** in liquid: 6 mA
outside liquid: 18 mA
 - L20D-L:** in liquid: 18 mA
outside liquid: 6 mA
- Horizontal or vertical mounting
- Fully static device
- Fail-safe operation
- Insensitive to vibrations, shocks, electrical disturbances and solid cargo product
- Insensitive to pressure and temperature
- Approved by major classification societies

Technical Documentation

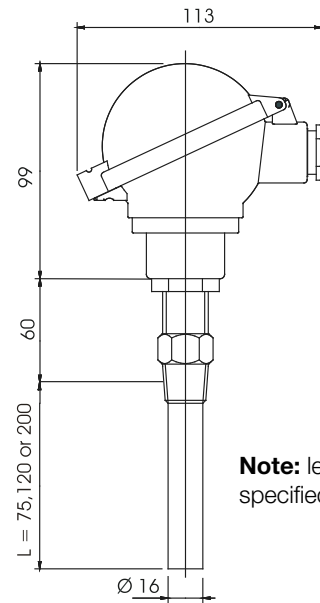
| | |
|-----------------------------|---------|
| Installation manual: | 322444E |
| Maintenance manual: | 322444E |

Honeywell Marine SAS

9, rue Isaac Newton
 ZA Port Sec Nord, Esprit 1
 18000 Bourges – France
 Phone : + 33 (0) 248 237 901
 Fax : + 33 (0) 248 237 903
 E-Mail: contact.marine@honeywell.com
www.honeywellmarine.com

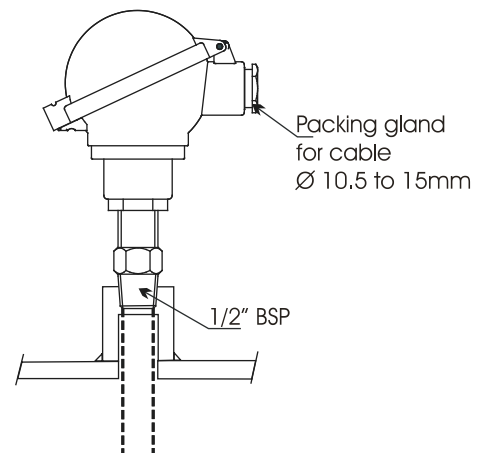
HM-11-49-ENG
 October 2013
 © 2013 Honeywell International Inc.

Dimensions

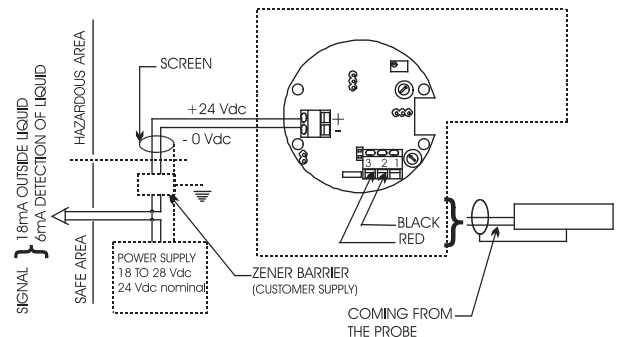


Note: length L needs to be specified 8 weeks before delivery

Mechanical Connection



Electrical Connection



Honeywell