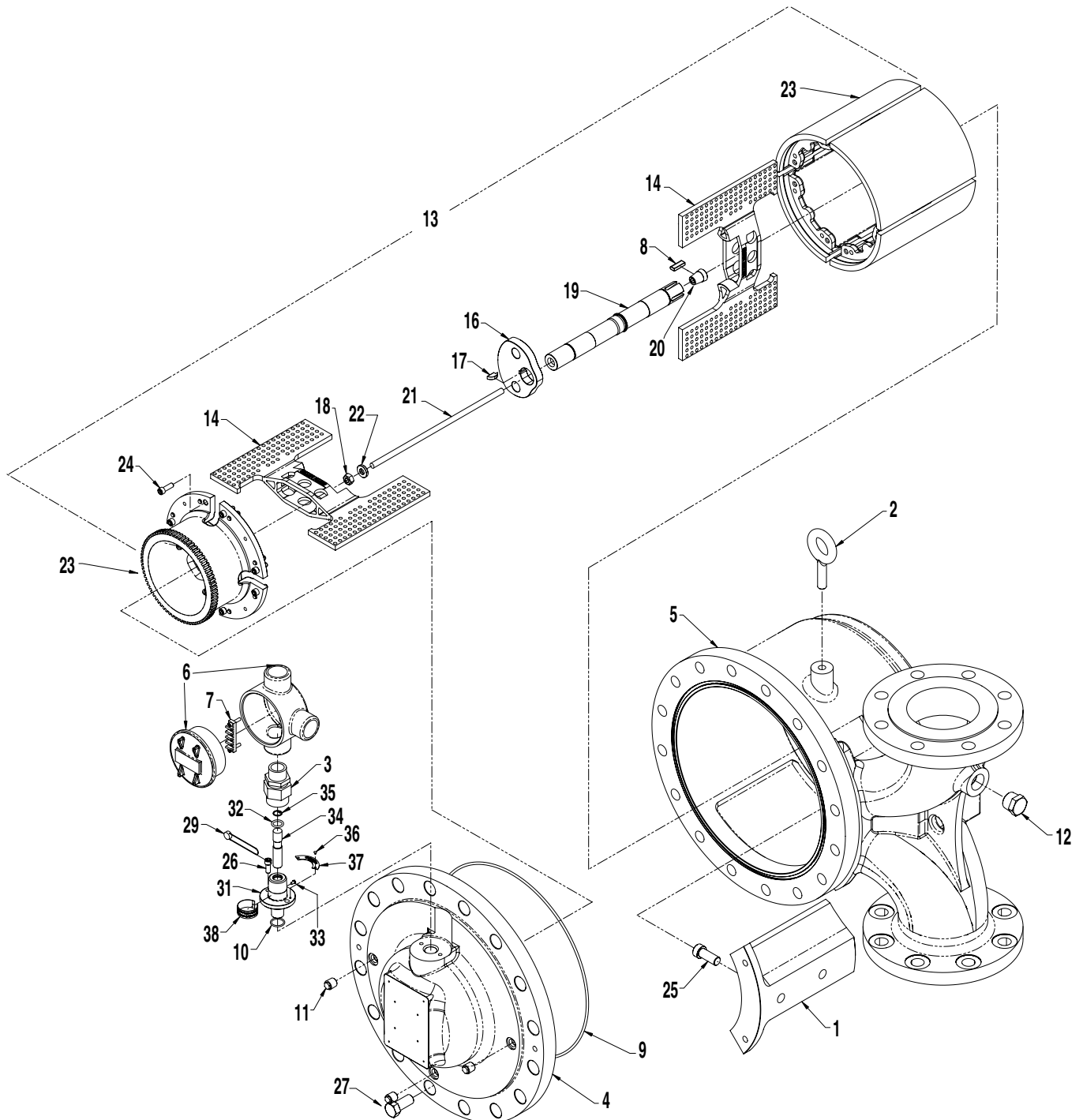




# Meter, PD, PRIME 4

Bulletin P001014 Issue/Rev. 0.2 (4/15)

We put you first.  
And keep you ahead.



Item	Description	Quantity	Part Number	
			Current	Prior to Aug. 1997
1	Block	1	554027-001	554027-001
2	Bolt, Eye	1	644974-403	644974-403
3	Conduit Union (Non-expandable)	1	641402-404	-----
4	Cover, Meter	1	573922-091	553943-002
5	Housing, Meter	1	573921-013	553935-002
6	Junction Box Assembly	1	554023-002	554022-001
7	Terminal Block	1	644125-401	644125-401
8	Key (Replaces Dowel Pin)	1	554292-001	-----
9	+ O-Ring, Cover:			
	Buna-N	1	641069-462	641069-462
	Viton	1	640894-447	640894-447
	Low Swell Buna	1	641069-464	-----
10	O-Ring, Sensor:			
	Buna-N	1	640798-419	640798-419
	Viton	1	640798-417	640798-417
	Low Swell Buna	1	640798-425	-----
11	Plug, Pipe, 1/4 NPT	3	002407-402	002407-402
12	Plug, Pipe, 3/4 NPT	1	006878-002	006878-002
13	R Rotor and Blade Assembly	1	554107-002	554107-001
14	Blade	2	554015-001	554015-001
15	* Cam and Shaft Assembly	1	554030-002	554030-001
16	Cam	1	554093-001	554093-001
17	Key	1	554028-001	554028-001
18	Nut	1	642148-415	642148-415
19	Shaft	1	554133-001	554133-001
20	Shaft Cone	1	554025-002	-----
21	Tie Rod	1	553945-001	553945-001
22	Washer	1	642514-401	642514-401
23	Rotor	1	553949-001	553949-001
24	Screw, Cover to Rotor	8	646177-403	646177-403
25	Screw, Block, .500-13 x 1-1/4	2	646177-404	646177-404
26	Screw, Cap (drilled w/cross-hole)	2	641069-401	641069-401
27	Screw, Cover, M20 x 2.5 x 4.5mm	16	646229-401	-----
28	* Screw, Terminal Block	4	009880-400	644633-401
29	Seal, Lead and Wire	2	001627-400	001627-400
30	* Sensor Assembly:			
	Single Pulse	1	554571-001	554571-001
	Dual Pulse	1	554571-002	554571-002
31	R Housing, Pulse Sensor	1	554570-001	-----
32	O-Ring	1	641276-403	-----

Item	Description	Quantity	Part Number
33	Plug, Pipe, .06 NPT	1	640689-001
34	Pulse Pick-Up Sensor:		
	Single Pulse	1	646592-402
	Dual Pulse	1	646596-402
35	Ring, Sensor Retaining	1	646016-402
36	Screw, Drive	2	009880-400
37	Tag, Caution	1	554111-001
38	Tag, Caution	1	554111-002
	+ Recommended Stock		
	* Not Illustrated		
	R Indicates change from last revision		



**We put you first.  
And keep you ahead.**

The specifications contained herein are subject to change without notice and any user of said specifications should verify from the manufacturer that the specifications are currently in effect. Otherwise, the manufacturer assumes no responsibility for the use of specifications which may have been changed and are no longer in effect.

Contact information is subject to change. For the most current contact information, visit our website at [www.fmctechnologies.com/measurementsolutions](http://www.fmctechnologies.com/measurementsolutions) and click on the "Contact Us" link in the left-hand column.

[www.fmctechnologies.com/measurementsolutions](http://www.fmctechnologies.com/measurementsolutions)

© 2015 FMC Technologies. All rights reserved. P001014 Issue/Rev. 0.2 (4/15)

**FMC Technologies**  
**Measurement Solutions, Inc.**  
500 North Sam Houston Parkway West,  
Suite 100  
Houston, Texas 77067 USA  
P:+1 281.260.2190

USA Operation  
1602 Wagner Avenue  
Erie, Pennsylvania 16510 USA  
P:+1 814.898.5000

Germany Operation  
Smith Meter GmbH  
Regentstrasse 1  
25474 Ellerbek, Germany  
P:+49 4101 304.0