



PUMPSET CERT. NO. : 20180802-MP5163
 PUMP CERT. NO. : 20190411-MH63401
 STRAINERS CERT. NO. : 20170721-MP5156

NOTE : This drawing and the information depicted therein is the property of Albany Pump Co. Ltd. Copies are issued in strict confidence and shall not be reproduced, copied or used as the basis for the manufacture or sale of products without prior written permission of Albany Pump Co.

OPERATING CONDITIONS

Fluid	Fuel Oil
Pump Capacity	0-35 GPM
Pressure	0-250 PSI
Inlet	As Required
Outlet	As Required

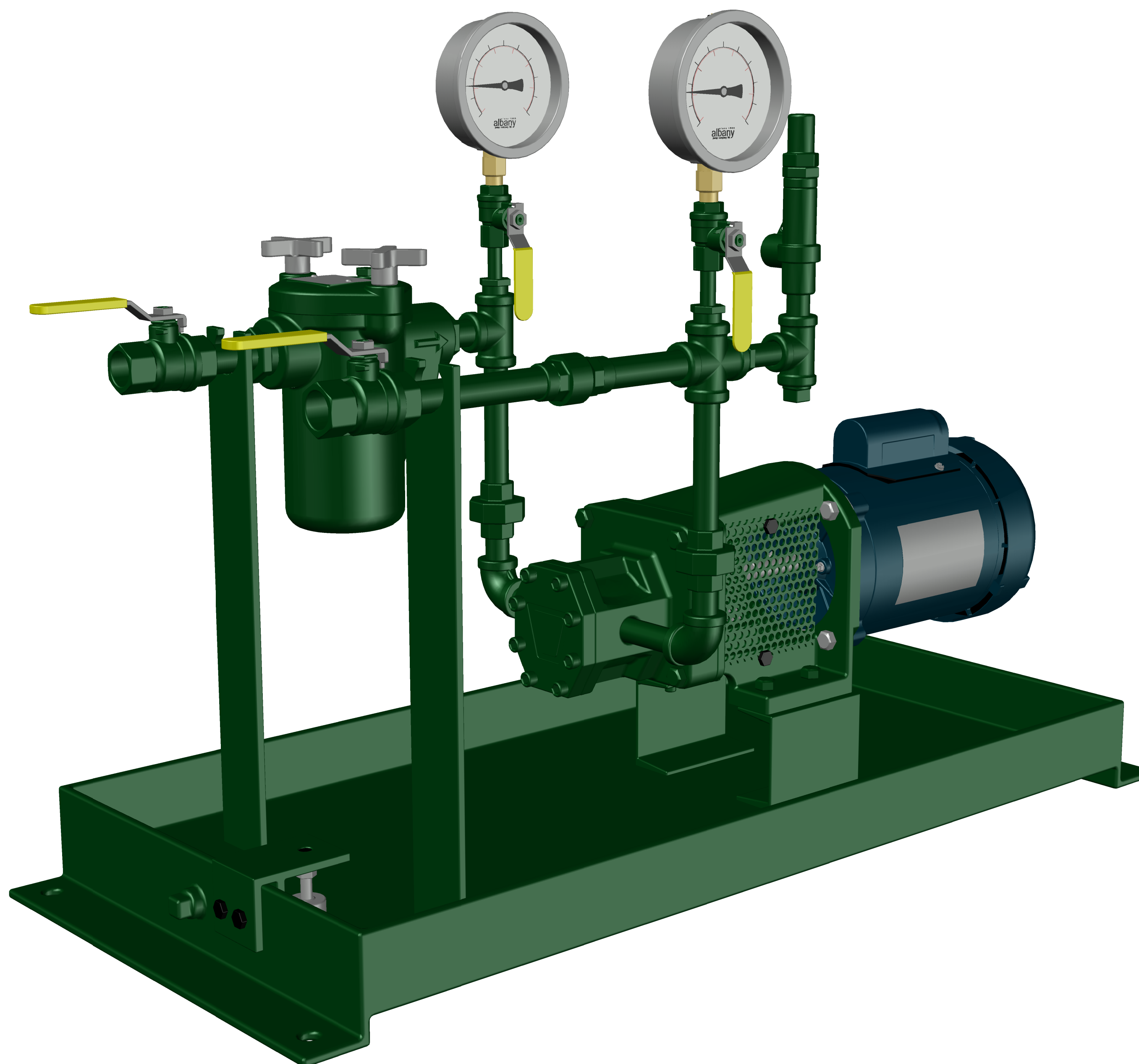


MANUFACTURING HEADQUARTER:
 420 Harry Walker pkwy. Newmarket,
 Ontario Canada, L3Y 8P5
Sales Office:
 Burnaby, B.C. (Canada)
 Buffalo, New York, (USA)
 Phone: (905) 853-9005
 Toll Free: 1 (888) 334-3348
 Fax: (888) 335-3391
 E-mail: sales@albanyump.com
 www.albanyump.com

LAYOUT - A

DRAWING NO :

DRAWN : VP	TAG : SIMPLEX FUEL OIL PUMPSET
SHEET NO : 100	
CHECK : --	MODEL : FOSIM-G-BS
SCALE : 1:4	REVISION : RO
DATE : --	



NOTE : All dimensions are approximate and subject to change without notice

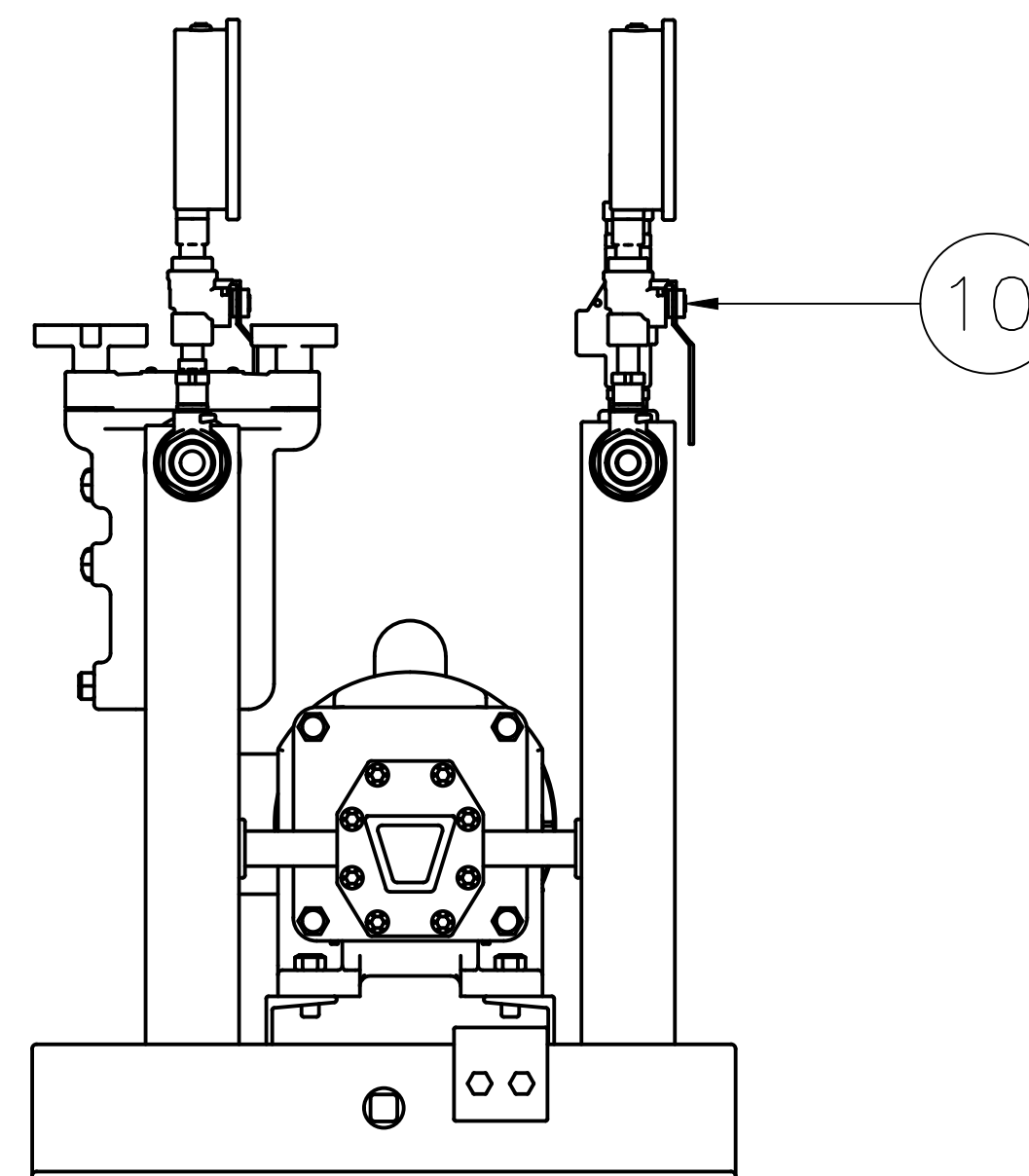
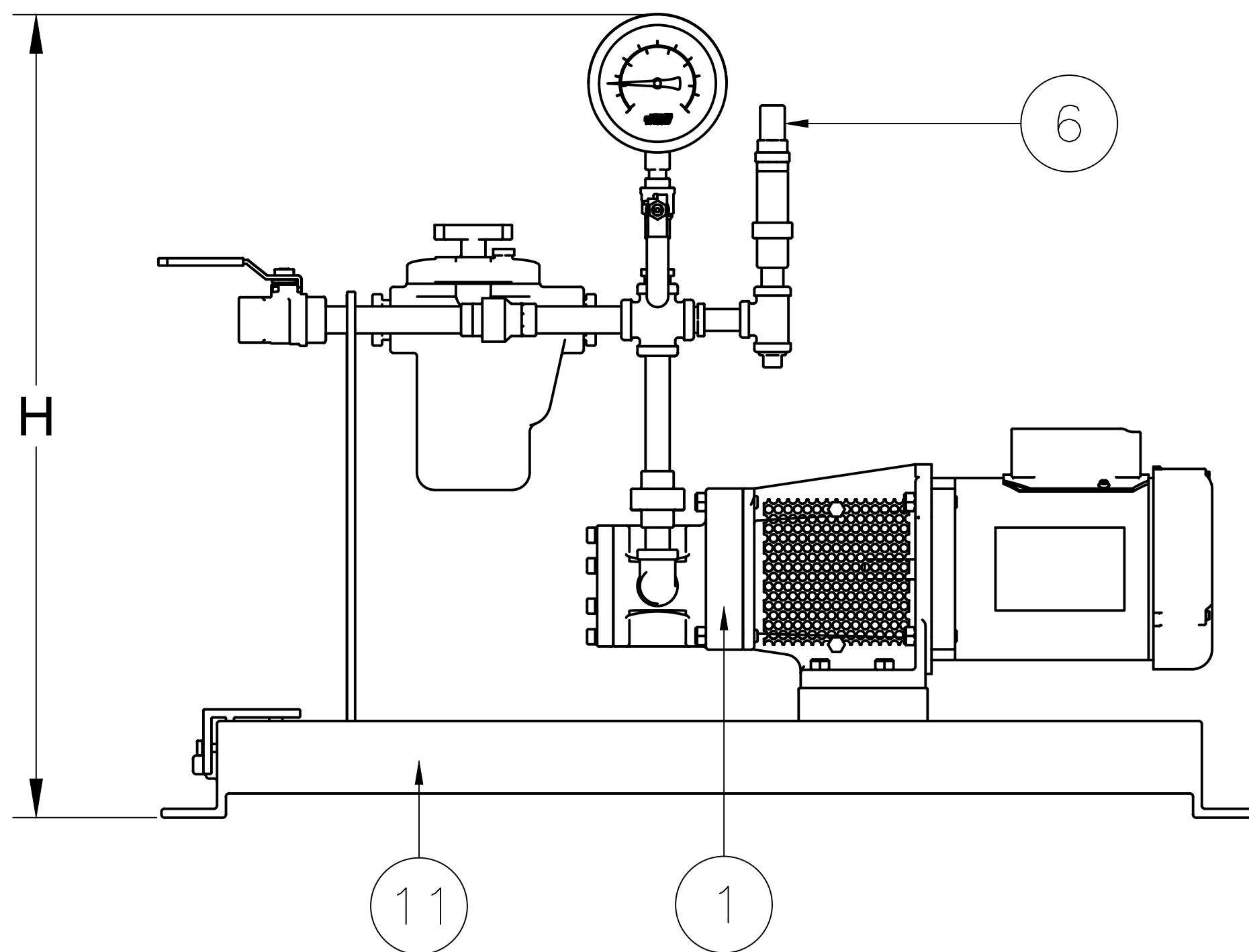


PUMPSET CERT. NO. : 20180802-MP5163
 PUMP CERT. NO. : 20190411-MH63401
 STRAINERS CERT. NO. : 20170721-MP5156

NOTE : This drawing and the information depicted therein is the property of Albany Pump Co. Ltd. Copies are issued in strict confidence and shall not be reproduced, copied or used as the basis for the manufacture or sale of products without prior written permission of Albany Pump Co.

OPERATING CONDITIONS

Fluid	Fuel Oil
Pump Capacity	0-35 GPM
Pressure	0-250 PSI
Inlet	As Required
Outlet	As Required



since 1906
albany
 pump company ltd.

MANUFACTURING HEADQUARTER:
 420 Harry Walker pkwy. Newmarket,
 Ontario Canada, L3Y 8P5
Sales Office:
 Burnaby, B.C. (Canada)
 Buffalo, New York, (USA)
 Phone: (905) 853-9005
 Toll Free: 1 (888) 334-3348
 Fax: (888) 335-3391
 E-mail: sales@albanyump.com
 www.albanyump.com

LAYOUT - A

DRAWING NO :

DRAWN : VP	TAG : SIMPLEX FUEL OIL PUMPSET
SHEET NO : 101	
CHECK : --	MODEL : FOSIM-G-BS
SCALE : 1:4	REVISION : R0
DATE : --	

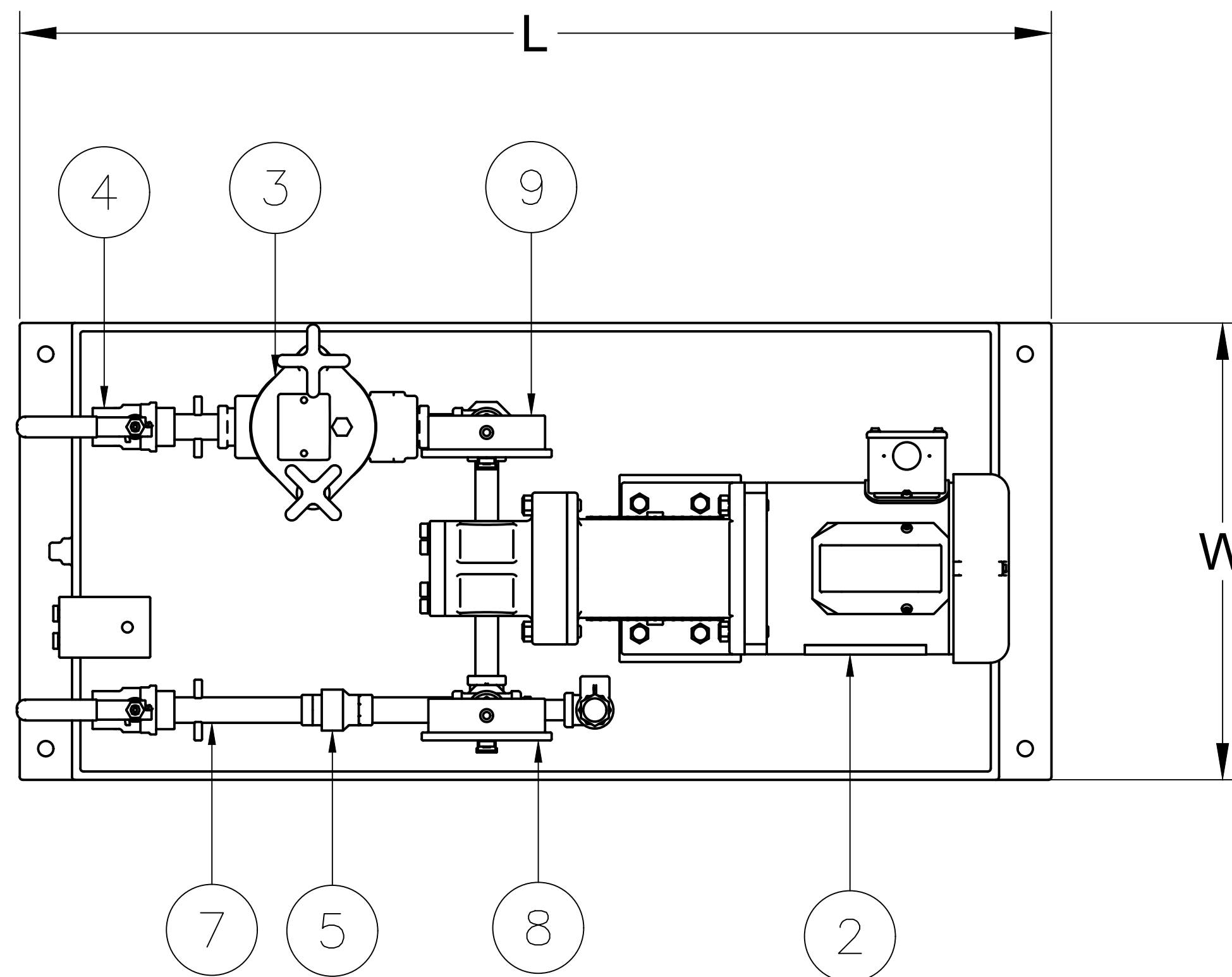


PUMPSET CERT. NO. : 20180802-MP5163
 PUMP CERT. NO. : 20190411-MH63401
 STRAINERS CERT. NO. : 20170721-MP5156

NOTE : This drawing and the information depicted therein is the property of Albany Pump Co. Ltd. Copies are issued in strict confidence and shall not be reproduced, copied or used as the basis for the manufacture or sale of products without prior written permission of Albany Pump Co.

OPERATING CONDITIONS

Fluid	Fuel Oil
Pump Capacity	0-35 GPM
Pressure	0-250 PSI
Inlet	As Required
Outlet	As Required



MANUFACTURING HEADQUARTER:
 420 Harry Walker pkwy. Newmarket,
 Ontario Canada, L3Y 8P5
Sales Office:
 Burnaby, B.C. (Canada)
 Buffalo, New York, (USA)
 Phone: (905) 853-9005
 Toll Free: 1 (888) 334-3348
 Fax: (888) 335-3391
 E-mail: sales@albanyump.com
 www.albanyump.com

Size	Inlet	Outlet	Max L	Max H	Max W
03	.05"	.05"	36"	28"	15"
05	.75"	.75"	36"	28"	15"
10	1.00"	1.00"	36"	28"	18"
18	1.25"	1.25"	46"	34"	18"
25	1.50"	1.50"	46"	34"	18"
35	1.50"	1.50"	48"	36"	18"

LAYOUT - A

DRAWING NO :

DRAWN : VP	TAG : SIMPLEX FUEL OIL PUMPSET
SHEET NO : 102	
CHECK : --	MODEL : FOSIM-G-BS
SCALE : 1:4	REVISION : R0
DATE : --	

BILL OF MATERIAL

No	DESCRIPTION	QUANT	CERT
1	Cast Iron Helical Gear Pump, G Series, 250 PSI	1	cUL ULC/ORD-C343
2	Nema Premium Efficiency Wattsaver Motor, TEFC Enclosure	1	CSA cUL
3	Basket Type Suction Strainer, C/W 60 Mesh SS Screen	1	cUL ULC/ORD-C331
4	Two Piece Brass Ball Valve 500 PSI Pressure Rating	2	cUL ULC/ORD-C842
5	Spring Loaded In-Line Check Valve S.S Spring Tight Shut Off, 400 PSI	1	CRNREG 0C11218.5C
6	Pressure Relief Valve, Cast Iron Body, S.S. Spring	1	CRNREG OC16200-5ADD1
7	Standard Duty SCH. 40 Piping Package	1	ANSI/ASME- B31
8	Pressure Gauge Liquid Filled, 304 Stainless Steel Case	1	CRN REG
9	Compound Vacuum Gauge, Liquid Filled, 304 Stainless Steel Case 30"- 0-30 PSI	1	CRN REG
10	Gauge Isolation valve, Two Piece Ball Valve 500 PSI Pressure Rating	2	cUL ULC/ORD-C842
11	¼" Fabricated Steel Base with 50mm Drip Lip	1	-



PUMPSET CERT. NO. : 20180802-MP5163
 PUMP CERT. NO. : 20190411-MH63401
 STRAINERS CERT. NO. : 20170721-MP5156

NOTE : This drawing and the information depicted therein is the property of Albany Pump Co. Ltd. Copies are issued in strict confidence and shall not be reproduced, copied or used as the basis for the manufacture or sale of products without prior written permission of Albany Pump Co.

OPERATING CONDITIONS

Fluid	Fuel Oil
Pump Capacity	0-35 GPM
Pressure	0-250 PSI
Inlet	As Required
Outlet	As Required



MANUFACTURING HEADQUARTER:
 420 Harry Walker pkwy, Newmarket,
 Ontario Canada, L3Y 8P5
Sales Office:
 Burnaby, B.C. (Canada)
 Buffalo, New York, (USA)
 Phone: (905) 853-9005
 Toll Free: 1 (888) 334-3348
 Fax: (888) 335-3391
 E-mail: sales@albanyump.com
 www.albanyump.com

LAYOUT - A

DRAWING NO :

DRAWN : VP	TAG : SIMPLEX FUEL OIL PUMPSET
SHEET NO : 103	
CHECK : --	MODEL : FOSIM-G-BS
SCALE : N/A	REVISION : R0
DATE : --	