

TRIDICATOR MODEL TRI

Illustrated model: TRI-02



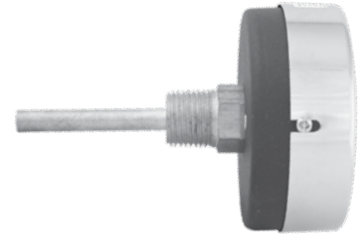
Illustrated model: TRI-03



Illustrated model: TRI-01



Illustrated model: TRI-04



Specifications

Case:	Steel, painted black
Dial:	White aluminum, psi and °F in black, kPa and °C in blue
Lens and cover:	2 ½ in (63 mm) acrylic threaded lens cover 3 in (80 mm) polycarbonate lens and chrome plated ring
Pointer:	Anodized black aluminum
Movement:	Brass (pressure) bimetal coil (temperature)
Stem:	Brass
Connection:	2 ½ in (63 mm) ¼ in nptm, 3 in (80 mm) ½ in nptm
Recommended pressure and temperature:	Maximum 67 % of full scale value
Ambient temperature:	25 to 125°F / -5 to 50°C
Accuracy:	ASME B40.100(B40.1) and B40.200(B40.4), Grade B ± 2 % CAN/CGSB - 14.4

Applications

Water heaters, boilers, hot water furnaces, etc. Where it is necessary to measure both temperature and pressure with the same instrument.

To order, use the code in the corresponding column

Diameter Ø	Range	Connection	Product code
2 ½ in (63 mm)	0 to 75 psi/kPa and 30 to 240°F/C	¼ in nptm center back mount	TRI-01
2 ½ in (63 mm)	0 to 75 psi/kPa and 30 to 240°F/C	¼ in nptm bottom mount	TRI-02
3 in (80 mm)	0 to 75 psi/kPa and 30 to 240°F/C	½ in nptm bottom mount	TRI-03
3 in (80 mm)	0 to 75 psi/kPa and 30 to 240°F/C	½ in nptm center back mount	TRI-04
3 in (80 mm)	0 to 100 psi/kPa and 30 to 240°F/C	½ in nptm bottom mount	TRI-05
3 in (80 mm)	0 to 100 psi/kPa and 30 to 240°F/C	½ in nptm center back mount	TRI-06
3 in (80 mm)	0 to 200 psi/kPa and 30 to 240°F/C	½ in nptm bottom mount	TRI-07
3 in (80 mm)	0 to 200 psi/kPa and 30 to 240°F/C	½ in nptm center back mount	TRI-08
3 in (80 mm)	0 to 100 psi and 0 to 80°F	½ in nptm bottom mount	TRI-10
3 in (80 mm)	0 to 100 psi and 0 to 80°F	½ in nptm center back mount	TRI-11

TRICATOR MODEL TRI

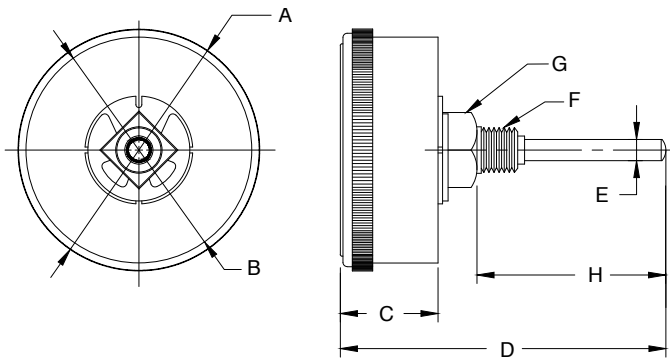


Diagram: TRI 2 1/2 in CENTER BACK

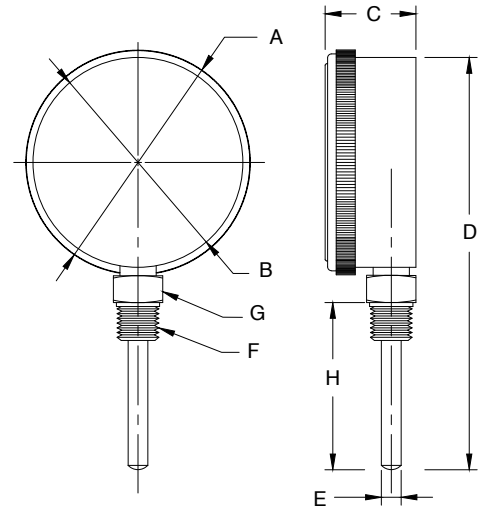


Diagram: TRI 2 1/2 in BOTTOM

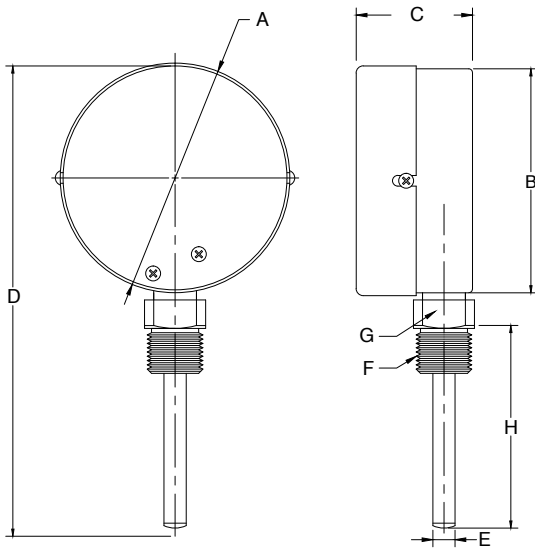


Diagram: TRI 3 in BOTTOM

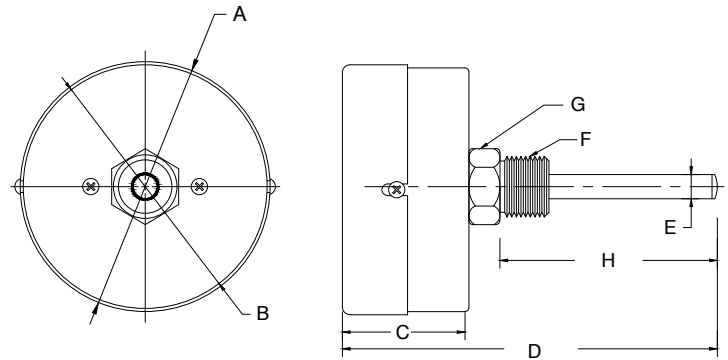


Diagram: TRI 3 in CENTER BACK

Dimensions as per diagram

Ø	A	B	C	D	E	F	G	H
2.5 in (63 mm)	2.83 in (72 mm)	2.63 in (66.8 mm)	1.14 in (28.9 mm)	3.78 in (96.01 mm) (center back)	0.25 in (6.4 mm)	¼ in nptm	0.625 in (16 mm) flat	2.20 in (55.9 mm)
2.5 in (63 mm)	2.83 in (72 mm)	2.63 in (66.8 mm)	1.27 in (32.38 mm)	5.26 in (133.6 mm) (bottom)	0.25 in (6.4 mm)	¼ in nptm	0.625 in (16 mm) flat	2.30 in (58.4 mm)
3 in (80 mm)	3.20 in (81.3 mm)	3.13 in (79.5 mm)	1.37 in (34.8 mm)	4.63 in (117.6 mm) (center back)	0.32 in (8.1 mm)	½ in nptm	0.875 in (22 mm) flat	2.87 in (72.9 mm)
3 in (80 mm)	3.20 in (81.3 mm)	3.13 in (79.5 mm)	1.50 in (38 mm)	6.52 in (121.1 mm) (bottom)	0.32 in (8.1 mm)	½ in nptm	0.875 in (22 mm) flat	2.80 in (71.1 mm)