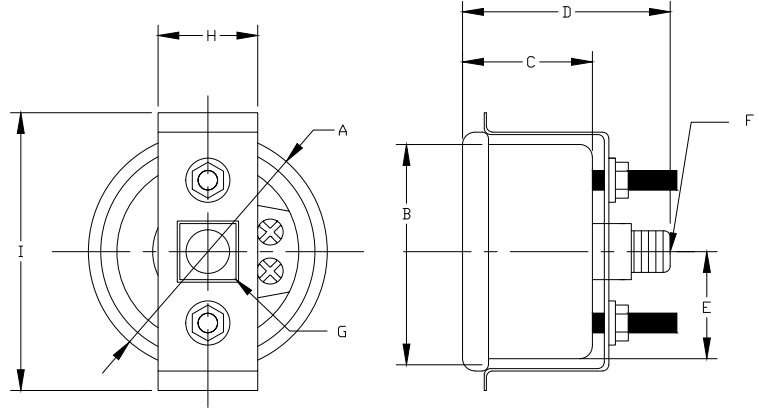


ALL PURPOSE PANEL MOUNT PRESSURE GAUGE MODEL PA

Illustrated model: PA



Specifications

Case:	Steel plated black complete with U-clamp
Dial:	White aluminum with psi graduations in black and kPa in blue
Ring:	304 stainless steel crimped
Lens:	Plastic
Pointer:	Steel painted black
Connection:	1/8 in or 1/4 in nptm center back (see chart)
Wetted Parts:	Brass
Bourdon tube:	Phosphor bronze
Maximum process and ambient temperature:	-40 à 150°F / -40 à 65°C
Operation pressure:	Maximum 75 % of full scale value
Overpressure limit:	25 % over full scale value
Accuracy:	ASME B40.100(B40.1), Grade B ± 2 %

Applications

Primarily used where panel mounting is required: air pressure, oil, water or any process compatible with brass.

To order, use the code in the corresponding column

Size	1 1/2 in (40 mm)	2 in (50 mm)		2 1/2 in (63 mm)
Connection	1/8 in nptm center back brass		1/4 in nptm center back brass	
Range				
-30 in Hg to 0 vac/kPa	PA151UC01	PA201UC01-125	PA201UC01-250	PA251UC01
0 to 15 psi/kPa	PA151UC09	PA201UC09-125	PA201UC09-250	PA251UC09
0 to 30 psi/kPa	PA151UC10	PA201UC10-125	PA201UC10-250	PA251UC10
0 to 60 psi/kPa	PA151UC11	PA201UC11-125	PA201UC11-250	PA251UC11
0 to 100 psi/kPa	PA151UC12	PA201UC12-125	PA201UC12-250	PA251UC12
0 to 160 psi/kPa	PA151UC13	PA201UC13-125	PA201UC13-250	PA251UC13
0 to 200 psi/kPa	PA151UC14	PA201UC14-125	PA201UC14-250	PA251UC14
0 to 300 psi/kPa	PA151UC15	PA201UC15-125	PA201UC15-250	PA251UC15
0 to 3,000 psi/kPa	PA151UC19			

Dimensions as per diagram

Model	A	B	C	D	E	F	G	H	I
PA151UC	1.84 in (46.74 mm)	1.62 in (41.15 mm)	1.12 in (28.58 mm)	1.75 in (44.20 mm)	0.98 in (25 mm)	1/8 npt	0.42 in (10.67 mm)	0.78 in (19.81 mm)	2.20 in (55.88 mm)
PA201UC-125	2.30 in (58.42 mm)	2.06 in (52.37 mm)	1.25 in (31.75 mm)	2.0 in (50.80 mm)	1.38 in (34.93 mm)	1/8 npt	0.54 in (13.72 mm)	0.96 in (24.38 mm)	2.68 in (67.95 mm)
PA201UC-250	2.30 in (58.42 mm)	2.06 in (52.37 mm)	1.25 in (31.75 mm)	2.0 in (50.80 mm)	1.38 in (34.93 mm)	1/4 npt	0.54 in (13.72 mm)	0.96 in (24.38 mm)	2.68 in (67.95 mm)
PA251UC	2.63 in (66.68 mm)	2.45 in (62.33 mm)	1.2 in (30.48 mm)	1.96 in (49.78 mm)	1.38 in (34.93 mm)	1/4 npt	0.54 in (13.72 mm)	0.96 in (24.38 mm)	2.93 in (74.42 mm)