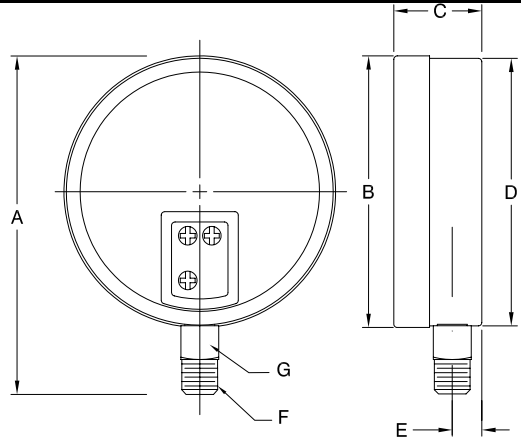
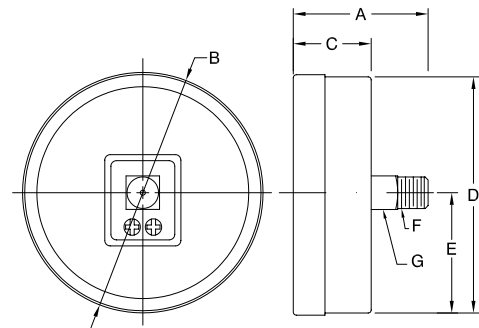


MULTIPLE PURPOSE PRESSURE GAUGE MODEL A

Illustrated model:
400A16



Illustrated model:
401A10



Specifications

Case:	Steel, painted black
Dial:	White aluminum with psi graduations in black and kPa graduations in blue
Ring:	Steel, painted black
Lens:	Polycarbonate
Pointer:	Steel, painted black
Connection:	1/8 in nptm or 1/4 in nptm bottom or center back mount
Wetted parts:	Brass
Bourdon tube:	Phosphor bronze
Maximum process and ambient temperature:	-40 à 150°F / -40 à 65°C
Operating pressure:	Maximum 75 % of full scale value
Overpressure limit:	25 % over full scale value
Accuracy:	ASME B40.100(B40.1), Grade B ± 2 %

Applications

Multiple purpose pressure gauge, competitively priced: pneumatics, hydraulics, plumbing, HVAC, compressors, pumps, pools, etc.

Dimensions as per diagram

Ø	Connection	A	B	C	D	E	F	G
1.5 in (40 mm)	bottom	2.22 in (56.4 mm)	1.66 in (42.2 mm)	0.98 in (24.9 mm)	1.60 in (40.6 mm)	0.32 in (8.1 mm)	1/8 in nptm	7/16 flat (11 mm)
	center back	1.58 in (40.1 mm)	1.66 in (42.2 mm)	0.98 in (24.9 mm)	1.60 in (40.6 mm)	0.80 in (20.3 mm)	1/8 in nptm	7/16 flat (11 mm)
2 in (50 mm)	bottom	2.82 in (71.63 mm)	2.07 in (52.6 mm)	1.11 in (28.2 mm)	2.01 in (50.9 mm)	0.39 in (9.91 mm)	1/8 in nptm 1/4 in nptm	7/16 flat (11 mm) 9/16 flat (14 mm)
	center back	1.83 in (46.5 mm)	2.07 in (52.6 mm)	1.11 in (28.2 mm)	2.01 in (50.9 mm)	1 in (25.5 mm)	1/8 in nptm 1/4 in nptm	7/16 flat (11 mm) 7/16 flat (11 mm)
2.5 in (63 mm)	bottom	3.26 in (82.8 mm)	2.5 in (63.5 mm)	1.11 in (28.2 mm)	2.44 in (61.9 mm)	0.39 in (9.91 mm)	1/4 in nptm	9/16 flat (14 mm)
	center back	1.87 in (47.5 mm)	2.5 in (63.5 mm)	1.11 in (28.2 mm)	2.44 in (61.9 mm)	1.2 in (32 mm)	1/4 in nptm	9/16 flat (14 mm)
4 in (100 mm)	bottom	4.92 in (125 mm)	3.95 in (100 mm)	1.28 in (32.5 mm)	3.88 in (98.5 mm)	0.43 in (10.9 mm)	1/4 in nptm	9/16 flat (14 mm)
	center back	2.22 in (56.4 mm)	3.90 in (99 mm)	1.28 in (32.5 mm)	3.88 in (98.5 mm)	1.5 in (38.1 mm)	1/4 in nptm	9/16 flat (14 mm)

MULTIPLE PURPOSE PRESSURE GAUGE

MODEL A

To order, use the code in the corresponding column

Size	1 1/2 in (40 mm)			2 in (50 mm)				2 1/2 in (63 mm)		4 in (100 mm)	
Case	steel										
Brass Connection	1/8 in nptm bottom	1/8 in nptm center back	1/8 in nptm bottom	1/8 in nptm center back	1/8 in bsptm center back	1/4 in nptm bottom	1/4 in nptm center back	1/4 in nptm bottom	1/4 in nptm center back	1/4 in nptm bottom	1/4 in nptm center back
Range											
-30 in Hg to 0 vac/kPa	150A01	151A01	200A01-125	201A01-125		200A01-250	201A01-250	250A01	251A01	400A01	401A01
-30 in Hg to 15 psi/kPa								250A02	251A02	400A02	401A02
-30 in Hg to 30 psi/kPa								250A03	251A03	400A03	401A03
-30 in Hg to 60 psi/kPa								250A04	251A04	400A04	401A04
-30 in Hg to 100 psi/kPa								250A05	251A05	400A05	401A05
-30 in Hg to 160 psi/kPa								250A06	251A06	400A06	401A06
-30 in Hg to 200 psi/kPa								250A07	251A07	400A07	401A07
-30 in Hg to 300 psi/kPa								250A08	251A08	400A08	401A08
0 to 15 psi/kPa	150A09	151A09	200A09-125	201A09-125		200A09-250	201A09-250	250A09	251A09	400A09	401A09
0 to 30 psi/kPa	150A10	151A10	200A10-125	201A10-125		200A10-250	201A10-250	250A10	251A10	400A10	401A10
0 to 60 psi/kPa	150A11	151A11	200A11-125	201A11-125		200A11-250	201A11-250	250A11	251A11	400A11	401A11
0 to 100 psi/kPa	150A12	151A12	200A12-125	201A12-125		200A12-250	201A12-250	250A12	251A12	400A12	401A12
0 to 160 psi/kPa	150A13	151A13	200A13-125	201A13-125		200A13-250	201A13-250	250A13	251A13	400A13	401A13
0 to 200 psi/kPa	150A14	151A14	200A14-125	201A14-125	201A14-125 BSPT	200A14-250	201A14-250	250A14	251A14	400A14	401A14
0 to 300 psi/kPa	150A15	151A15	200A15-125	201A15-125		200A15-250	201A15-250	250A15	251A15	400A15	401A15
0 to 400 psi/kPa	150A23	151A23	200A23-125	201A23-125		200A23-250	201A23-250	250A23	251A23	400A23	401A23
0 to 600 psi/kPa	150A16	151A16	200A16-125	201A16-125		200A16-250	201A16-250	250A16	251A16	400A16	401A16
0 to 1,000 psi/kPa	150A17	151A17	200A17-125	201A17-125		200A17-250	201A17-250	250A17	251A17	400A17	401A17
0 to 1,500 psi/kPa								250A18	251A18	400A18	401A18
0 to 2,000 psi/kPa								250A22	251A22	400A22	401A22
0 to 3,000 psi/kPa								250A19	251A19	400A19	401A19
0 to 5,000 psi/kPa										400A20	401A20

Option

Back flange for 4 in only