

## Scully Connect™ System with Tool-less Cap

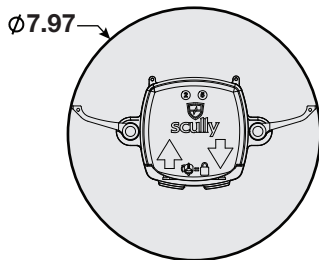
The Scully Connect™ sensor is an advanced overfill prevention sensor that allows for quick, easy, and error-free installation of your overfill prevention system. It will save hours of installation time, prevent mis-wiring of the system, and allow for trouble-free connections.

**Step 1- Choose Cables,** Scully Connect single and double-ended cables come in various lengths according to the measurements taken between compartment openings and trailer length. The interactive Cable Selector Guide helps you calculate the individual cable lengths in inches and millimeters and shows corresponding cable part numbers needed.

### Step 2- Select Scully Connect™ System Kit,

Use the Connect Kit selection section to order 2 and 5-Wire sensor assembly kits including Scully Intellicheck®3R Overfill and Overfill/Retained monitors, ground bolts and T.I.M.® Modules.

**Step 3- Choose Socket,** Select the appropriate Scully Socket for your installation.



Ordering for  
Tool-less Connect

Customer \_\_\_\_\_ Date \_\_\_\_\_

P.O. No. \_\_\_\_\_ Trailer No. \_\_\_\_\_

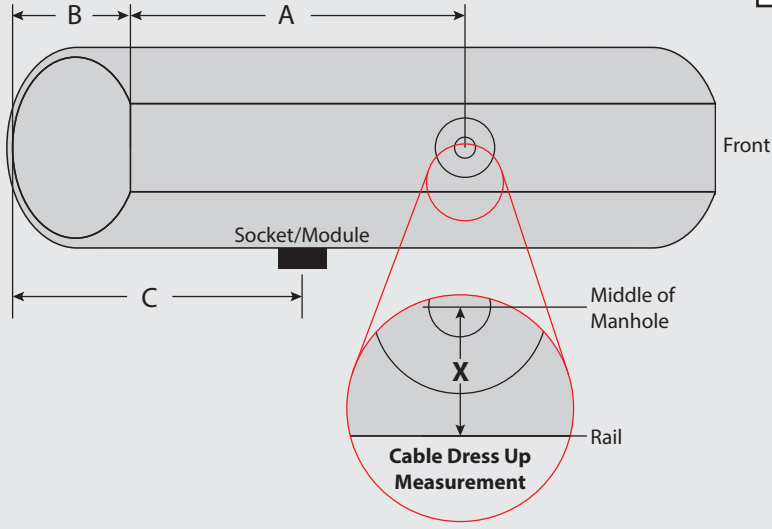




# SCULLY CONNECT™ CABLE SELECTOR GUIDE

## 1 Compartment Trailer

2 Wire    5 Wire   Qty. \_\_\_\_\_



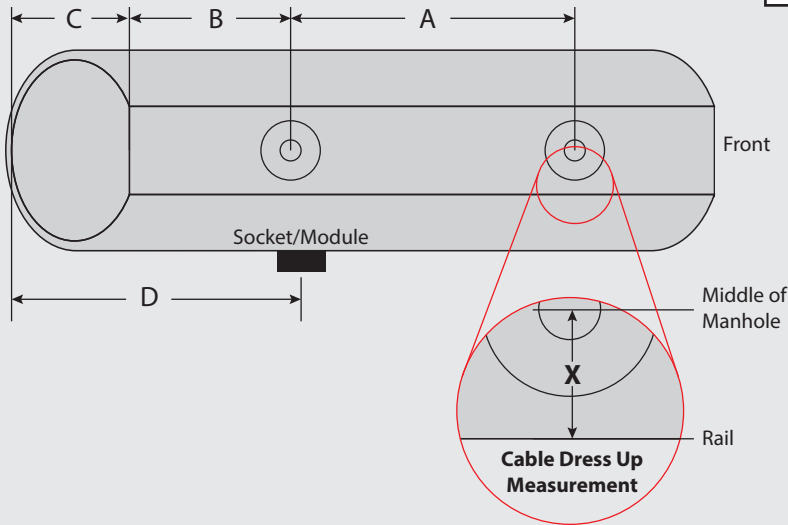
Customer Measurements		
	Inches	mm
A		
B		
C		
X		

### For Scully Use

Measurement	Inches	Millimeters	Part Number (Black Cable)
A+B+C+X (SNG)			

## 2 Compartment Trailer

2 Wire    5 Wire   Qty. \_\_\_\_\_



Customer Measurements		
	Inches	mm
A		
B		
C		
D		
X		

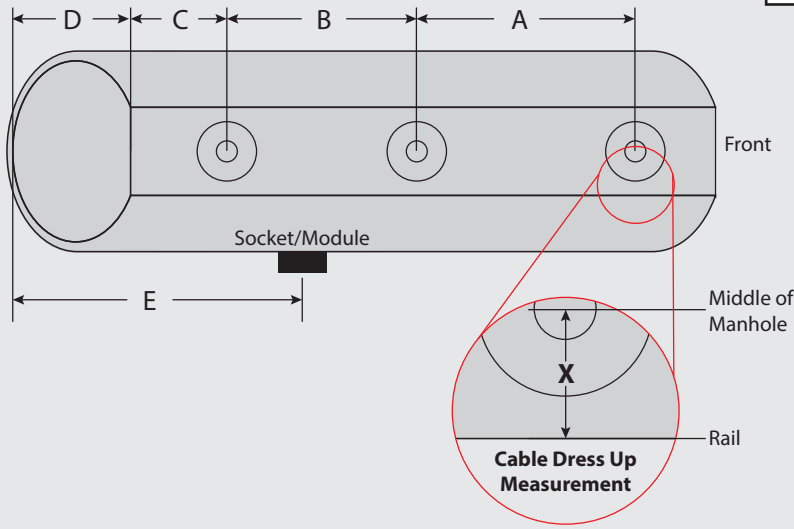
### For Scully Use

Measurement	Inches	Millimeters	Part Number (Black Cable)
A+2X (DBL)			
B+C+D+X (SNG)			



### 3 Compartment Trailer

2 Wire    5 Wire   Qty. \_\_\_\_\_



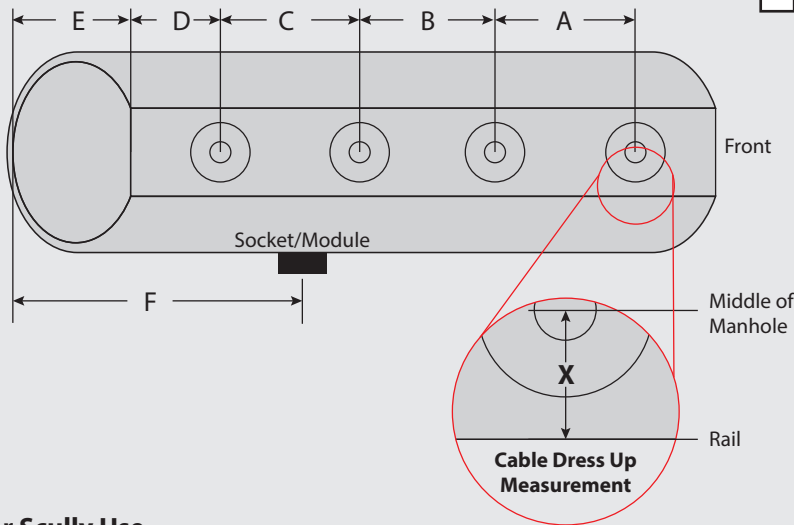
Customer Measurements		
	Inches	mm
A		
B		
C		
D		
E		
X		

#### For Scully Use

Measurement	Inches	Millimeters	Part Number (Black Cable)
A+2X (DBL)			
B+2X (DBL)			
C+D+E+X (SNG)			

### 4 Compartment Trailer

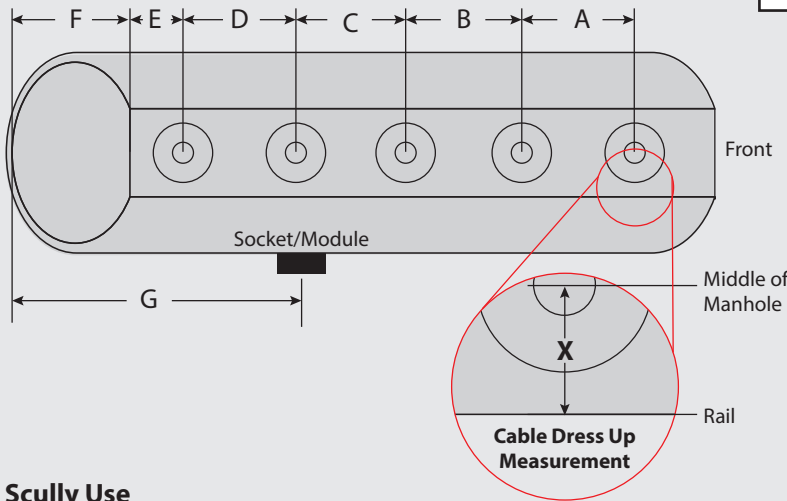
2 Wire    5 Wire   Qty. \_\_\_\_\_



Customer Measurements		
	Inches	mm
A		
B		
C		
D		
E		
F		
X		

#### For Scully Use

Measurement	Inches	Millimeters	Part Number (Black Cable)
A+2X (DBL)			
B+2X (DBL)			
C+2X (DBL)			
D+E+F+X (SNG)			



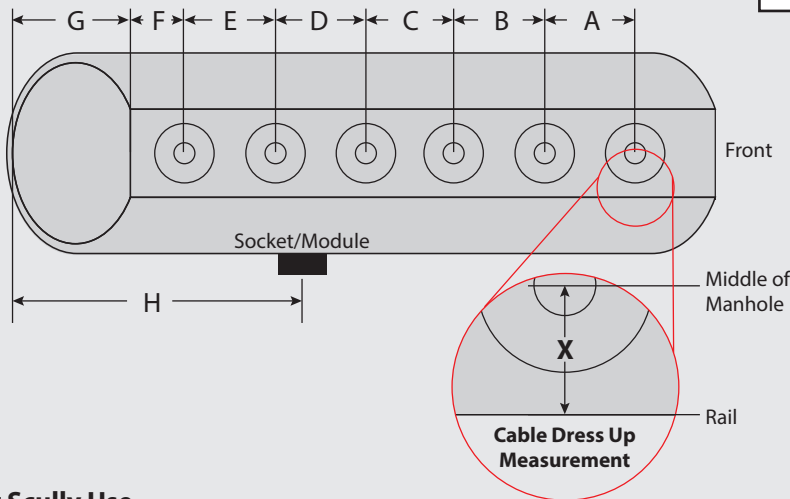
**5 Compartment Trailer**

2 Wire     5 Wire    Qty. \_\_\_\_

Customer Measurements		
	Inches	mm
A		
B		
C		
D		
E		
F		
G		
X		

**For Scully Use**

Measurement	Inches	Millimeters	Part Number (Black Cable)
A+2X (DBL)			
B+2X (DBL)			
C+2X (DBL)			
D+2X (DBL)			
E+F+G+X (SNG)			



**6 Compartment Trailer**

2 Wire     5 Wire    Qty. \_\_\_\_

Customer Measurements		
	Inches	mm
A		
B		
C		
D		
E		
F		
G		
H		
X		


**For Scully Use**

Measurement	Inches	Millimeters	Part Number (Black Cable)
A+2X (DBL)			
B+2X (DBL)			
C+2X (DBL)			
D+2X (DBL)			
E+2X (DBL)			
F+G+H+X (SNG)			




# SCULLY CONNECT™ CABLE SELECTOR CHART

End Type	Cable Length				Part Number (Black Cable)
	Inches	Feet	Millimeters	Meters	
Double (DBL)	24	2	609	.61	235000102
Double (DBL)	48	4	1219	1.22	235000104
Double (DBL)	72	6	1829	1.83	235000106
Double (DBL)	96	8	2438	2.44	235000108
Double (DBL)	120	10	3048	3.05	235000110
Double (DBL)	144	12	3658	3.66	235000112
Double (DBL)	168	14	4267	4.27	235000114
Double (DBL)	192	16	4877	4.88	235000116
Double (DBL)	216	18	5486	5.49	235000118
Double (DBL)	240	20	6096	6.10	235000120
Double (DBL)	360	30	9144	9.14	235000130
Single (SNG)	360	30	9144	9.14	235000230
Single (SNG)	480	40	12192	12.19	235000240
Single (SNG)	600	50	15240	15.24	235000250
Single (SNG)	720	60	18288	18.29	235000260



Double Ended Cable (DBL)



Single Ended Cable (SNG)



# SCULLY CONNECT™ KITS WITH INTELLICHECK®3R

## 2-Wire, 7” Sensor with Intellicheck®3R Overfill 8

Standard Kits Include:

- Intellicheck®3R Overfill 8 Monitor
- Scully T.I.M.® (optional)
- 2 Glands
- Scully Connect™ 2-Wire 7” Overfill Sensor
- 50’ Single Ended Cable
- Quick Start Guide
- Scully Ground Bolt
- Termination Connector
- On/Off Switch



<i>Number of Sensors</i>	<i>Standard Kit Part Number</i>	<i>Qty.</i>	<i>Standard Kit with T.I.M.® Part Number</i>	<i>Qty.</i>
1	<input type="checkbox"/> 092000015	—	<input type="checkbox"/> 092000016	—
2	<input type="checkbox"/> 092000017	—	<input type="checkbox"/> 092000018	—
3	<input type="checkbox"/> 092000019	—	<input type="checkbox"/> 092000020	—
4	<input type="checkbox"/> 092000021	—	<input type="checkbox"/> 092000022	—
5	<input type="checkbox"/> 092000023	—	<input type="checkbox"/> 092000024	—
6	<input type="checkbox"/> 092000025	—	<input type="checkbox"/> 092000026	—

## 2-Wire, 12” Sensor with Intellicheck®3R Overfill 8

Standard Kits Include:

- Intellicheck®3R Overfill 8 Monitor
- Scully T.I.M.® (optional)
- 2 Glands
- Scully Connect™ 2-Wire 12” Overfill Sensor
- 50’ Single Ended Cable
- Quick Start Guide
- Scully Ground Bolt
- Termination Connector
- On/Off Switch



<i>Number of Sensors</i>	<i>Standard Kit Part Number</i>	<i>Qty.</i>	<i>Standard Kit with T.I.M.® Part Number</i>	<i>Qty.</i>
1	<input type="checkbox"/> 092000039	—	<input type="checkbox"/> 092000040	—
2	<input type="checkbox"/> 092000041	—	<input type="checkbox"/> 092000042	—
3	<input type="checkbox"/> 092000043	—	<input type="checkbox"/> 092000044	—
4	<input type="checkbox"/> 092000045	—	<input type="checkbox"/> 092000046	—
5	<input type="checkbox"/> 092000047	—	<input type="checkbox"/> 092000048	—
6	<input type="checkbox"/> 092000049	—	<input type="checkbox"/> 092000050	—



## 2-Wire, 7" Sensor with Intellicheck®3R Overfill/Retained

Standard Kits Include:

- Intellicheck®3R Overfill/Retained Monitor
- Scully Connect™ 2-Wire 7" Overfill Sensor
- Scully 2-Wire Retained Sensor
- Scully Ground Bolt
- Scully T.I.M.® (optional)
- 50' Single Ended Cable
- Termination Connector
- 100' 7 Conductor Cable
- Quick Start Guide
- On/Off Switch
- 16 Glands
- Pigtail Crimps



Number of Sensors	Standard Kit Part Number	Qty.	Standard Kit with T.I.M.® Part Number	Qty.
1	<input type="checkbox"/> 092000027	—	<input type="checkbox"/> 092000028	—
2	<input type="checkbox"/> 092000029	—	<input type="checkbox"/> 092000030	—
3	<input type="checkbox"/> 092000031	—	<input type="checkbox"/> 092000032	—
4	<input type="checkbox"/> 092000033	—	<input type="checkbox"/> 092000034	—
5	<input type="checkbox"/> 092000035	—	<input type="checkbox"/> 092000036	—
6	<input type="checkbox"/> 092000037	—	<input type="checkbox"/> 092000038	—

\* Retained Sensors in the Overfill/Retained Kits use standard wiring methods. Retained Sensors are currently not available as Quick Connect.

## 2-Wire, 12" Sensor with Intellicheck®3R Overfill/Retained

Standard Kits Include:

- Intellicheck®3R Overfill/Retained Overfill Monitor
- Scully Connect™ 2-Wire 12" Overfill Sensor
- Scully 2-Wire Retained Sensor
- Scully Ground Bolt
- Scully T.I.M.® (optional)
- 50' Single Ended Cable
- Termination Connector
- 100' 7 Conductor Cable
- Quick Start Guide
- On/Off Switch
- 16 Glands
- Pigtail Crimps



Number of Sensors	Standard Kit Part Number	Qty.	Standard Kit with T.I.M.® Part Number	Qty.
1	<input type="checkbox"/> 092000051	—	<input type="checkbox"/> 092000052	—
2	<input type="checkbox"/> 092000053	—	<input type="checkbox"/> 092000054	—
3	<input type="checkbox"/> 092000055	—	<input type="checkbox"/> 092000056	—
4	<input type="checkbox"/> 092000057	—	<input type="checkbox"/> 092000058	—
5	<input type="checkbox"/> 092000059	—	<input type="checkbox"/> 092000060	—
6	<input type="checkbox"/> 092000061	—	<input type="checkbox"/> 092000062	—

\* Retained Sensors in the Overfill/Retained Kits use standard wiring methods. Retained Sensors are currently not available as Quick Connect.



## 5-Wire, 7" Sensor with Intellicheck®3R Overfill 8

Standard Kits Include:

- Intellicheck®3R Overfill 8 Monitor
- Scully Connect™ 5-Wire 7" Overfill Sensor
- Scully Ground Bolt
- Scully T.I.M.® (optional)
- 50' Single Ended Cable
- Termination Connector
- 2 Glands
- Quick Start Guide
- On/Off Switch



<i>Number of Sensors</i>	<i>Standard Kit Part Number</i>	<i>Qty.</i>	<i>Standard Kit with T.I.M.® Part Number</i>	<i>Qty.</i>
1	<input type="checkbox"/> 092000087	—	<input type="checkbox"/> 092000088	—
2	<input type="checkbox"/> 092000089	—	<input type="checkbox"/> 092000090	—
3	<input type="checkbox"/> 092000091	—	<input type="checkbox"/> 092000092	—
4	<input type="checkbox"/> 092000093	—	<input type="checkbox"/> 092000094	—
5	<input type="checkbox"/> 092000095	—	<input type="checkbox"/> 092000096	—
6	<input type="checkbox"/> 092000097	—	<input type="checkbox"/> 092000098	—

## 5-Wire, 12" Sensor with Intellicheck®3R Overfill 8

Standard Kits Include:

- Intellicheck®3R Overfill 8 Monitor
- Scully Connect™ 5-Wire 12" Overfill Sensor
- Scully Ground Bolt
- Scully T.I.M.® (optional)
- 50' Single Ended Cable
- Termination Connector
- 2 Glands
- Quick Start Guide
- On/Off Switch



<i>Number of Sensors</i>	<i>Standard Kit Part Number</i>	<i>Qty.</i>	<i>Standard Kit with T.I.M.® Part Number</i>	<i>Qty.</i>
1	<input type="checkbox"/> 092000099	—	<input type="checkbox"/> 092000100	—
2	<input type="checkbox"/> 092000101	—	<input type="checkbox"/> 092000102	—
3	<input type="checkbox"/> 092000103	—	<input type="checkbox"/> 092000104	—
4	<input type="checkbox"/> 092000105	—	<input type="checkbox"/> 092000106	—
5	<input type="checkbox"/> 092000107	—	<input type="checkbox"/> 092000108	—
6	<input type="checkbox"/> 092000109	—	<input type="checkbox"/> 092000110	—





# SCULLY CONNECT™ SENSOR KITS

Kits Include:

- Scully Connect™ Overfill Sensor
- 50' Single Ended Cable
- Termination Connector
- 2 Glands
- Quick Start Guide
- On/Off Switch



## 2-Wire, 7" Sensor

Number of Sensors	Part Number	Qty.
1	<input type="checkbox"/> 092000063	___
2	<input type="checkbox"/> 092000064	___
3	<input type="checkbox"/> 092000065	___
4	<input type="checkbox"/> 092000066	___
5	<input type="checkbox"/> 092000067	___
6	<input type="checkbox"/> 092000068	___



## 2-Wire, 12" Sensor

Number of Sensors	Part Number	Qty.
1	<input type="checkbox"/> 092000069	___
2	<input type="checkbox"/> 092000070	___
3	<input type="checkbox"/> 092000071	___
4	<input type="checkbox"/> 092000072	___
5	<input type="checkbox"/> 092000073	___
6	<input type="checkbox"/> 092000074	___



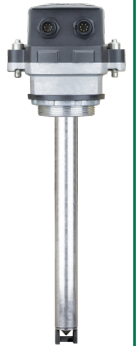
## 5-Wire, 7" Sensor

Number of Sensors	Part Number	Qty.
1	<input type="checkbox"/> 092000075	___
2	<input type="checkbox"/> 092000076	___
3	<input type="checkbox"/> 092000077	___
4	<input type="checkbox"/> 092000078	___
5	<input type="checkbox"/> 092000079	___
6	<input type="checkbox"/> 092000080	___



## 5-Wire, 12" Sensor

Number of Sensors	Part Number	Qty.
1	<input type="checkbox"/> 092000081	___
2	<input type="checkbox"/> 092000082	___
3	<input type="checkbox"/> 092000083	___
4	<input type="checkbox"/> 092000084	___
5	<input type="checkbox"/> 092000085	___
6	<input type="checkbox"/> 092000086	___



# INSTALLATION KITS

## Scully Connect™ Installation Kit for Intellicheck®3R Overfill 8

Part Number	Qty.
<input type="checkbox"/> 092000013	___

Kits Include:

- 50' Single Ended Cable
- Termination Connector
- 2 Glands
- Quick Start Guide
- On/Off Switch



## Scully Connect™ Installation Kit for Intellicheck®3R Overfill/Retained

Part Number	Qty.
<input type="checkbox"/> 092000014	___

\* 5-Wire Overfill Sensors are not compatible with the Intellicheck®3R Overfill/Retained Monitor

Kits Include:

- 50' Single Ended Cable
- Termination Connector
- 16 Glands
- Quick Start Guide
- On/Off Switch
- 100' 7 Conductor Cable
- Pigtail Crimps



# SCULLY SOCKET SELECTION



**DuoCept W/B, WOGA**  
Optic and Scully  
Thermistor Interface  
Connectors

<i>Part Number</i>	<i>Qty.</i>
<input type="checkbox"/> 09060	___



**SJ-6S** Thermistor Socket,  
API Thermistor Standard

<i>Part Number</i>	<i>Qty.</i>
<input type="checkbox"/> 07720	___



**SJ-6W** Optic Socket,  
WOGA Pattern,  
API Optic Standard

<i>Part Number</i>	<i>Qty.</i>
<input type="checkbox"/> 07974	___



**SJ-6** Thermistor Socket,  
SAE J560 Pattern

<i>Part Number</i>	<i>Qty.</i>
<input type="checkbox"/> 07681	___



**SJ-6SO** Optic Socket,  
Scully Pattern

<i>Part Number</i>	<i>Qty.</i>
<input type="checkbox"/> 07973	___



**SJ-6W** Optic Socket,  
WOGA (API) Style with  
Switch and Air Valve

<i>Part Number</i>	<i>Qty.</i>
<input type="checkbox"/> 08822	___



**SJ-6X** Optic Socket,  
SAE J560 Pattern

<i>Part Number</i>	<i>Qty.</i>
<input type="checkbox"/> 08199	___



**SJ-6S** 2-Wire  
Thermistor Socket,  
8-Pin, w/ Switch  
& Air Valve

<i>Part Number</i>	<i>Qty.</i>
<input type="checkbox"/> 08823	___



**SJ-8S** Thermistor Socket,  
API Thermistor Standard

<i>Part Number</i>	<i>Qty.</i>
<input type="checkbox"/> 07716	___



**SJ-6W** Optic Socket,  
6-Pin 5-Wire, w/ Switch  
and Air Valve, M20

<i>Part Number</i>	<i>Qty.</i>
<input type="checkbox"/> 08816	___



**Scully Signal Company, an engineering and manufacturing company established in 1936, is a brand name in the transportation and storage of petroleum and liquid chemicals. Our core Systems include: Overfill Prevention, Retained Product Monitoring, Vehicle Grounding and Verification, Level Alert Notification, and Vehicle to Terminal Communications.**

**Our employees service the needs of Scully's global customers in a wide range of markets. In addition to its headquarters in Wilmington, Massachusetts, U.S.A., Scully has direct sales offices in the United Kingdom, Europe and throughout the world. Scully is represented in over 60 countries and is ISO 9001 Certified. For more information, call Scully Signal Company at 800.2.SCULLY (800.272.8559), or visit [www.scully.com](http://www.scully.com).**

*Copyright © 2017 Scully Signal Company. Scully Connect, DuoCept, Dynacheck, Dynamic Self-Checking, Dynamic Self-Testing, Scully Connect, Go Anywhere, Intellicheck, Intellitrol, Load Anywhere, MaxSafety, ScuL-Sense, Scully and T.I.M. are registered trademarks of Scully Signal Company.*

*The names and logos of other companies mentioned herein may be trademarks of their respective owners.*

*This document is for informational purposes only. Scully makes no warranties, expressed or implied, in this document.*

*All Rights Reserved. Specifications are subject to change without notice.*

Scully Signal Company  
70 Industrial Way, Wilmington, MA 01887-3479, USA • 800.2.SCULLY (272.8559)  
617.692.8600 • fax. 617.692.8620 • [sales@scully.com](mailto:sales@scully.com) • [www.scully.com](http://www.scully.com)

