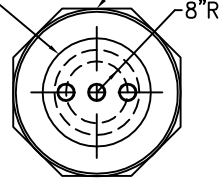




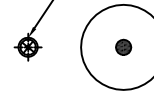
22" FLGD. MANWAY
w/3-4" C.S. NPT FTGS.
& COVER

42" DOUBLE WALL CONTAINMENT COLLAR

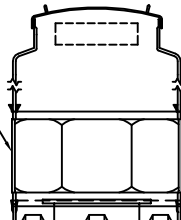
8"R



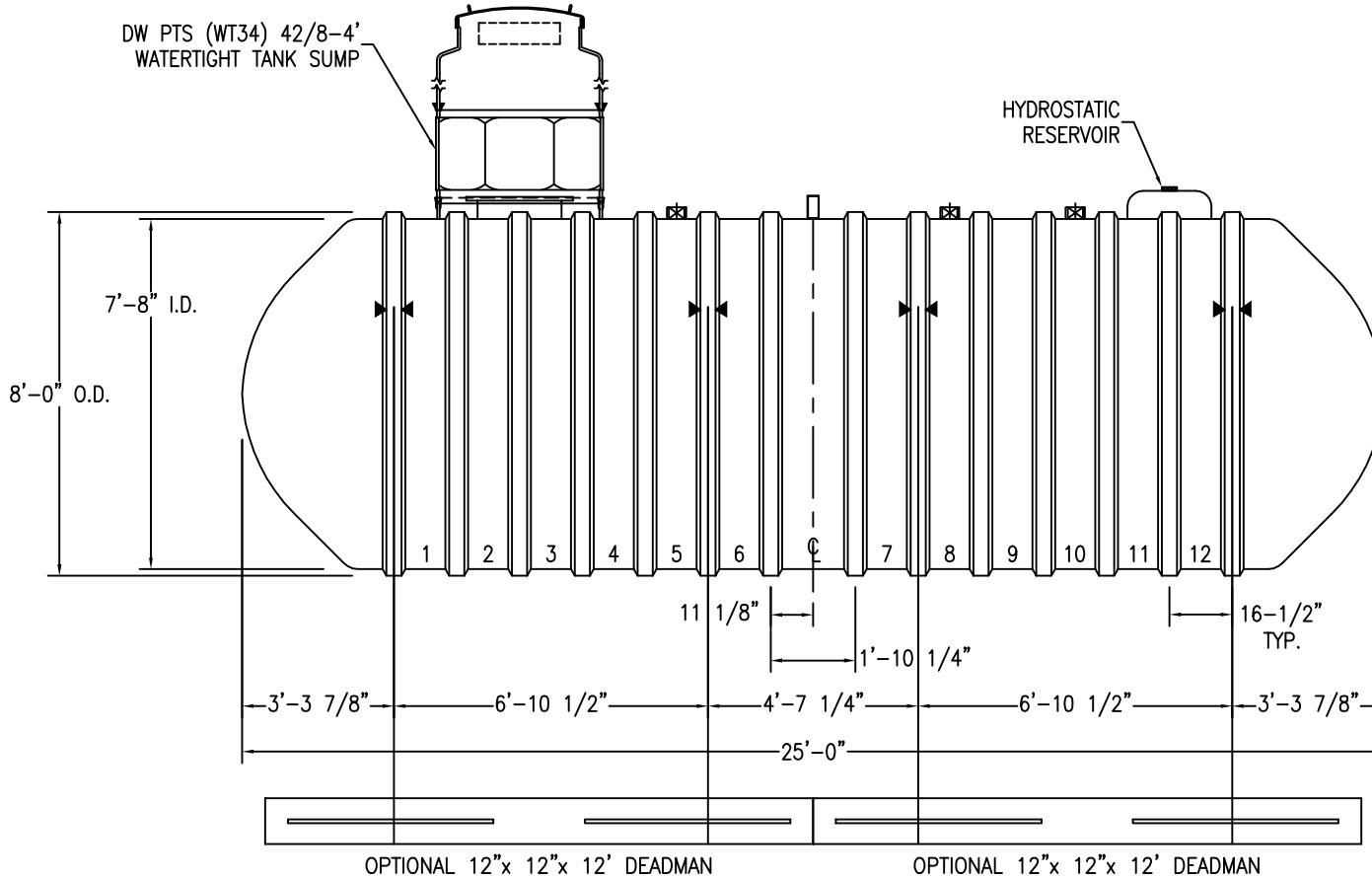
4" FRP NPT FTGS. (3 TYP.)



DW PTS (WT34) 42/8-4'
WATERTIGHT TANK SUMP



HYDROSTATIC
RESERVOIR



NOTES:

- ▶◀ HOLD DOWN STRAP LOCATION
- TYPE "13" LIFT LUG - SD
- TYPE "13" LIFT LUG - HD

HYDROGUARD (8')-8000		DATE: 10/01/18
SINGLE-SUMP SYSTEM		DRAWN BY: R.OXNER
CONTAINMENT SOLUTIONS	CAPACITY: 7,796	REVISED:
	WEIGHT: 5000	DWG NUMBER: 88DWHG-US