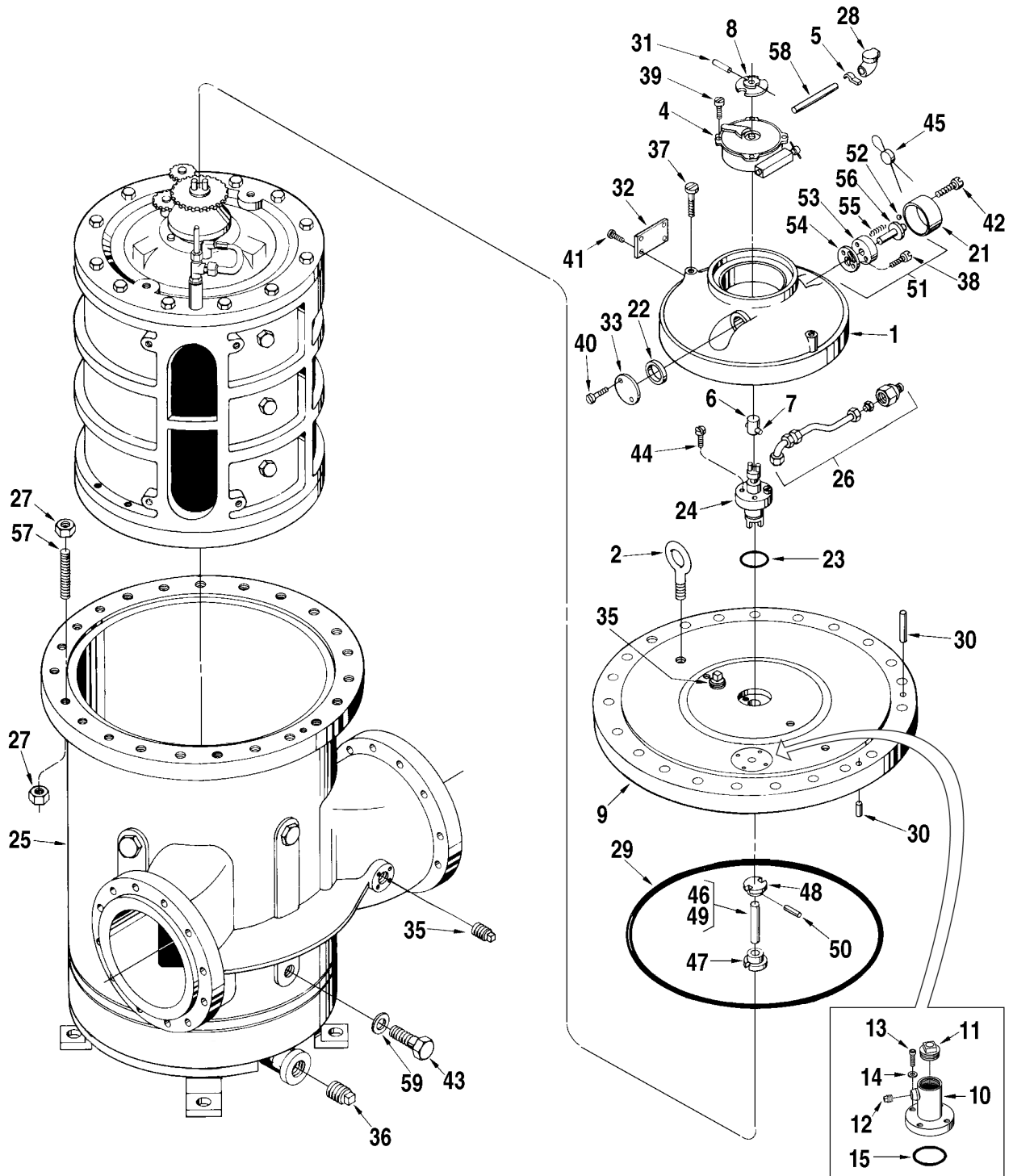
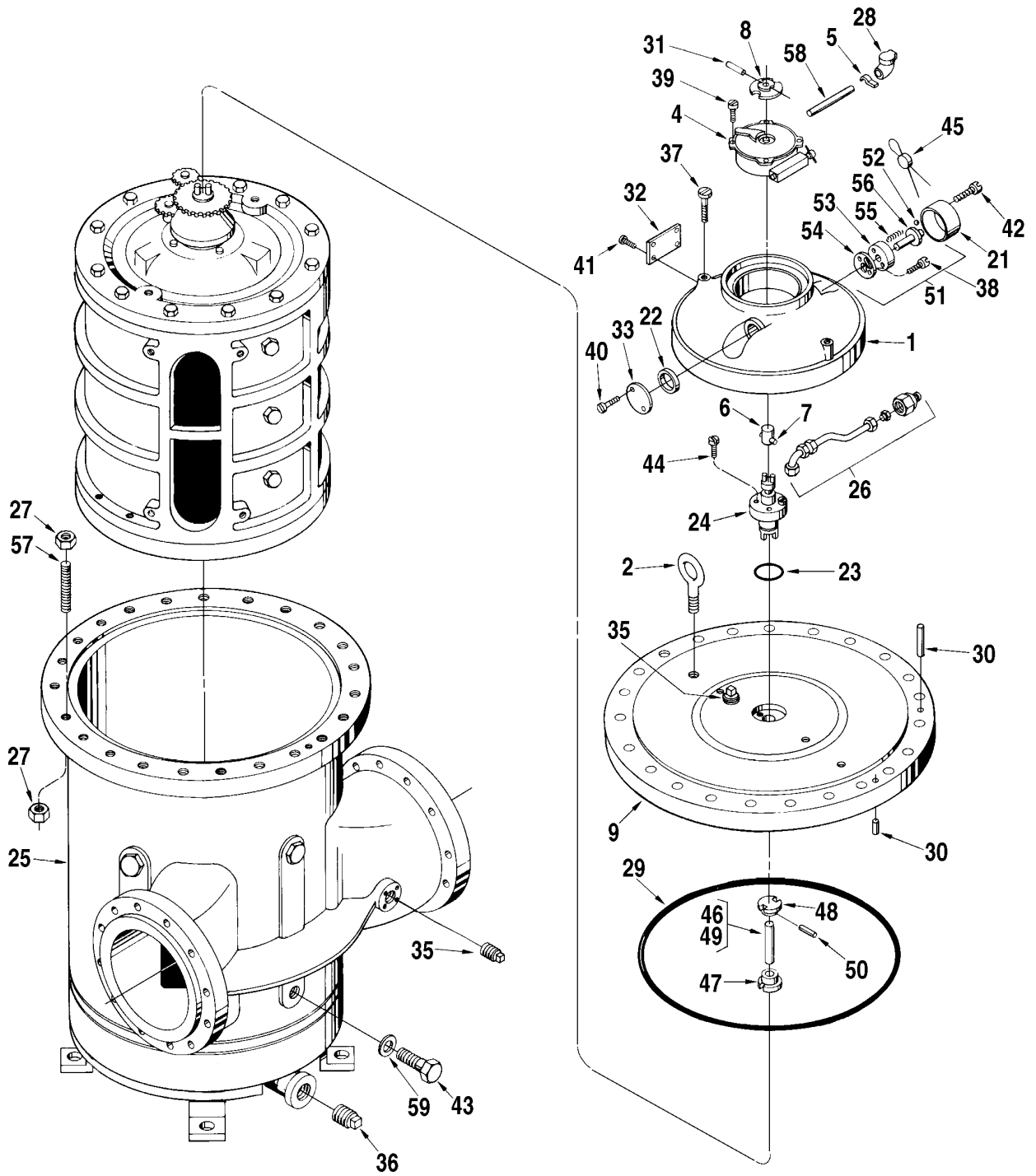


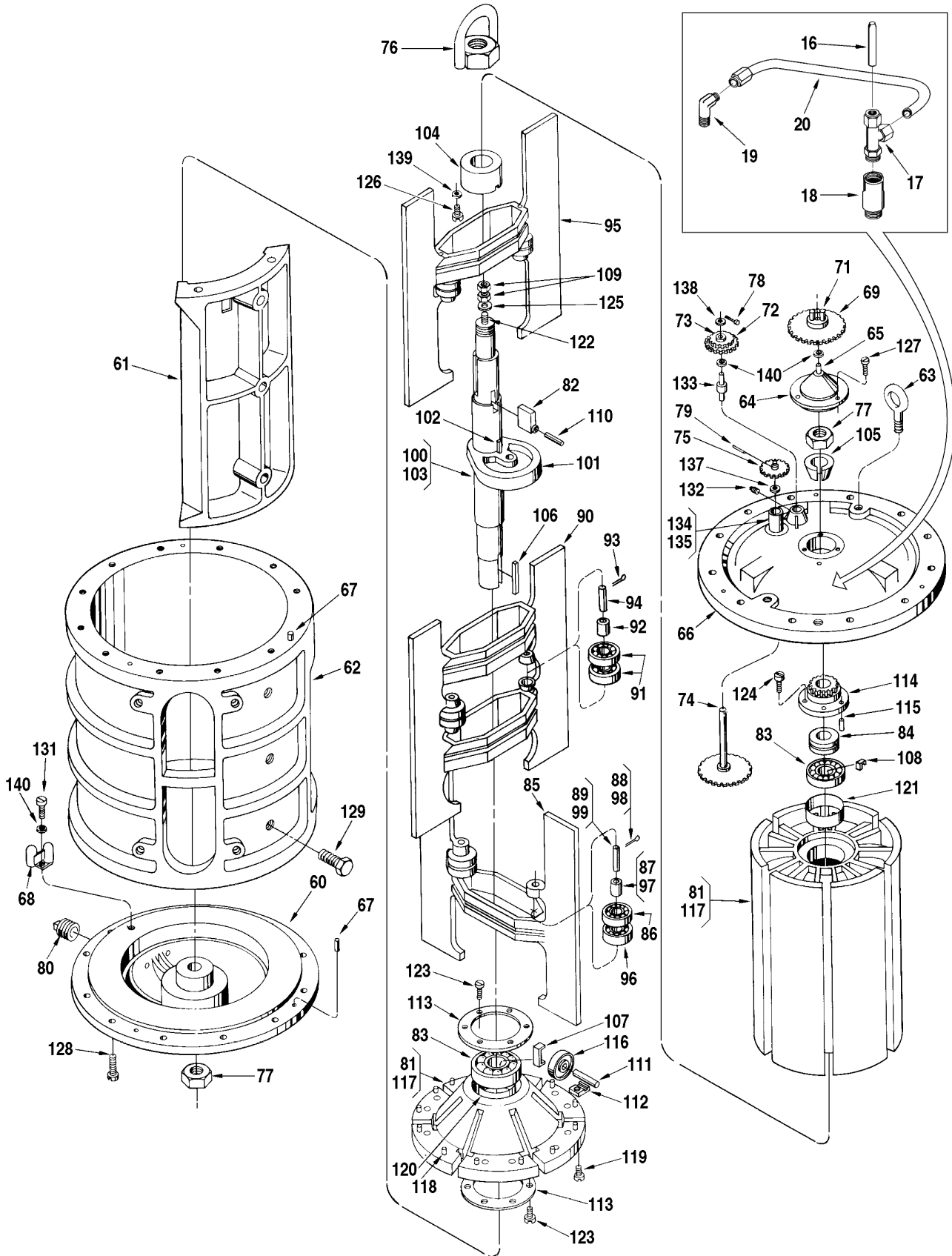
Meter, PD Series, JB10-S1, S3, S5

Bulletin PO01019 Issue/Rev. 0.3 (4/18)

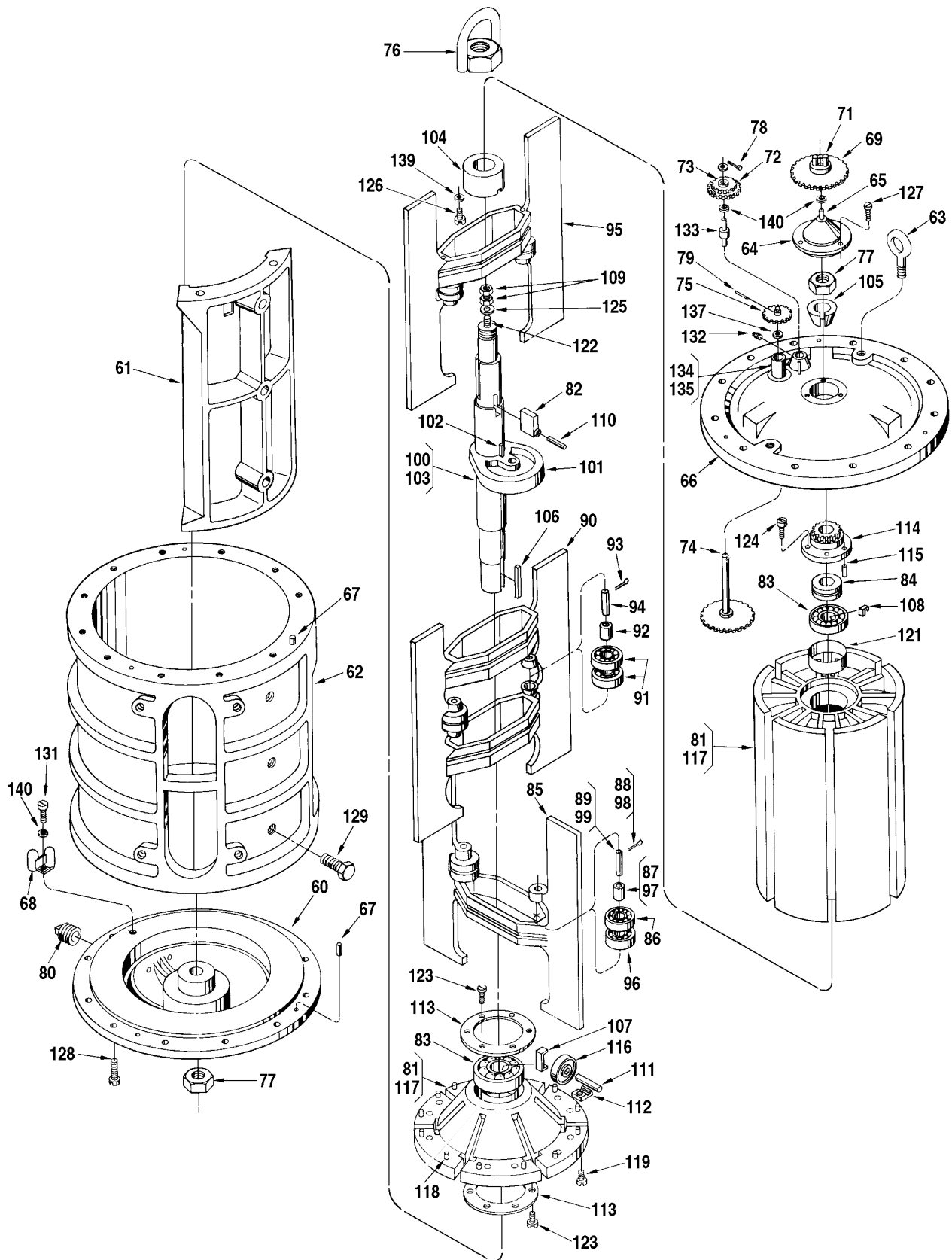




Inner Mechanism 2003 - Current



Inner Mechanism Pre 2003



Item	Description	Qty.	Pre 1998	Pre 1998	1998-2003	2003-Present
			JB10-S1	JB10-S3, S5	w/o Vent Kit JB10-S3, S5	w/Vent Kit JB10-S3, S5
1	Adapter:					
	Standard and ATC	1	518350-001	518350-002	518350-002	518350-002
	ATG	1	506123-002	506123-003	506123-003	506123-003
2	Bolt, Eye.....	2	643877-401	065433-005	065433-005	655425-408
3	* Washer	2	646638-404
4	+ Calibrator:					
	Manual.....	1	512059-001	512059-001	512059-001	512059-001
	With ATC (Standard).....	1	512060-001	512060-001	512060-001	512060-001
@1	With ATC (Special Drilled)	1	516130-xxx	516130-xxx	516130-xxx	516130-xxx
	Dummy Calibrator.....	1	516105-001	516105-001	516105-001	516105-001
5	Clamp, Oil Tube	1	003905-001	003905-001	003905-001	003905-001
6	Coupling Assembly:					
	Standard, Used on 3/16" Shaft.....	1	005969-001	005969-001	005969-001	005969-001
	Used on Xmitters with 1/4" Shaft.....	1	005969-002	005969-002	005969-002	005969-002
7	Pin	1	003540-001	003540-001	003540-001	003540-001
8	Coupling, Drive	1	072103-001	072103-001	072103-001	072103-001
9	Cover	1	500283-001	504044-001	554268-001	554268-003
	Vent:					
10	Vent Housing	1	554606-003
11	Pipe Plug, 2" NPT.....	1	645350-401
12	Pipe Plug, 1/2" NPT.....	1	645242-402
13	Screw.....	4	646205-402
14	Washer	4	065309-002
15	O-Ring	1	646612-401
16	Spacer	1	554059-003
17	Fitting.....	1	646200-401
18	Adapter.....	1	554336-001
19	Elbow.....	1	643386-405
20	3/8" Tubing	1	644759-402
21	Cover, Knob	1	003553-001	003553-001	003553-001	003553-001
22	Gasket, Cover Plate.....	1	003834-001	003834-001	003834-001	003834-001
23	+ Gasket, Packing Gland	1	011337-001	011337-001	011337-001	011337-001
24	+@2 Gland, Packing:					
	Buna-N	1	500351-001	009652-001	009652-001	009652-001
	PTFE ¹	1	500351-002	009652-002	009652-002	009652-002
25	Housing, Outer:					
	S1	1	Consult Factory
	S3	1	Consult Factory	554265-001	554265-001
	S5	1	Consult Factory	554279-001	554279-001
26	Lubrication Assembly	1	503554-001	503554-001	503554-001
27	Nut, Hex Heavy, Meter Cover	48	006258-400	006385-400	646057-402	646057-402
28	Oiler	1	006588-001	006588-001	006588-001	006588-001
29	+ O-Ring, Cover:					
	Buna-N	1	511874-001	504001-001	504001-001	504001-001
	Viton	1	511874-002	504001-002	504001-002	504001-002
30	Pin, Locating Dowel	2	003348-001	003348-001	003348-001	003348-001
31	Pin, Groove, 5/64 x 1/2"	1	006053-002	006053-002	006053-002	006053-002
32	Plate, Caution	1	006571-001	006571-001	006571-001	006571-001
33	Plate, Cover	1	003440-001	003440-001	003440-001	003440-001
34	* Plate, Lubrication	1	517715-002	517715-002	517715-002
35	Plug, Pipe, 1/2" NPT:					
	Standard	2	006505-002	006505-002	006505-002	006505-002
	NACE.....	2	645242-402	645242-402	645242-402
36	Plug, Pipe, 2" NPT:					
	Standard	1	006759-002	006759-002	006759-002	006759-002
	NACE, S3 Only.....	1	645242-408	645242-408	645242-408

1 Polytetrafluoroethylene (PTFE).

Item	Description	Qty.	Pre 1998	Pre 1998	1998-2003	2003-Present
			JB10-S1	JB10-S3, S5	w/o Vent Kit JB10-S3, S5	w/Vent Kit JB10-S3, S5
37	Screw, Adapter Cover	2	642043-432	642043-432	642043-432	642043-432
38	Screw, Base Plate, #10-32 x 7/8"	2	640835-001	640835-001	640835-001	640835-001
39	Screw, Calibrator Mount #6-32 x 5/16"	2	006048-002	006048-002	006048-002	006048-002
40	Screw, Cover Plate, #10-32 x 3/8"	2	006045-002	006045-002	006045-002	006045-002
41	Screw, Drive, Caution Plate	8	009880-400	009880-400	009880-400	009880-400
42	Screw, Knob Cover, #10-24 x 3/4"	2	006481-003	006481-003	006481-003	006481-003
43 R	Screw, Nozzle to Inner Mech: 5/8-11 x 3-1/2"	4	P8000017724	P8000017724	P8000017724	P8000017724
	NACE.....	4	P8000017724	P8000017724	P8000017724
44	Screw, Packing Gland: 5/16-18 x 1-1/4"	3	006511-002	006511-002	006511-002	006511-002
45 +	Seal, Lead and Wire	2	001627-400	001627-400	001627-400	001627-400
46	Shaft Assembly, Calibrator.....	1	501972-001	501972-001	501972-001
47	Coupling, Lower Drive	1	503408-001	503408-001	503408-001
48	Coupling, Upper Drive	1	501970-001	501970-001	501970-001
49	Shaft.....	1	501971-001	501971-001	501971-001
50	Pin, Groove, 5/64 x 1/2"	2	006053-002	006053-002	006053-002
51	Stem Assembly, Adjusting.....	1	009838-001	009838-001	009838-001	009838-001
52	Ball.....	2	006427-001	006427-001	006427-001	006427-001
53	Plate, Base	1	003552-001	003552-001	003552-001	003552-001
54	Plate, Retainer.....	1	003556-001	003556-001	003556-001	003556-001
55	Spring, Knob.....	2	003557-001	003557-001	003557-001	003557-001
56	Stem, Adjusting.....	1	003551-001	003551-001	003551-001	003551-001
57	Stud, Meter Cover.....	24	065357-001	640446-001	655422-401	655422-401
58	Tube, Oil	1	514658-001	514658-001	514658-001	514658-001
59	Washer, Cinch Bolt	4	514584-001	514584-001	514584-001	514584-001

INNER MECHANISM

Item	Description	Qty.	Part Number
60	Base.....	1	500186-002
61	Block: Standard (up to 1,000 SSU).....	1	536590-001
	Hi-Viscosity 1 For 1,000 SSU to 3,000 SSU	1	536590-201
	Hi-Viscosity 2 For 3,000 SSU to 5,000 SSU	1	536590-202
	Hi-Viscosity 3 For 5,000 SSU to 10,000 SSU	1	536590-203
62	Body1.....	1	515174-001
63	Bolt, Eye	2	643877-401
64	Cap, Adjusting Screw.....	1	536276-001
65	Shaft, Drive Gear	1	003569-001
66	Cover: with Vent	1	536277-004
	without Vent	1	536277-001
67	Dowel, Cover and Base	2	501205-001
68	Fitting, Pitot.....	1	072186-001
69	@3 Gear, Calibrator Drive: Barrels, Standard and All Iron	1	504194-001
	Barrels, LPG.....	1	536529-001
	Hectoliters, Standard and All Iron.....	1	515304-00
	Hectoliters, LPG	1	536533-001
70	* Bushing: Standard and All Iron	1	065311-001
	LPG.....	1	512797-001
71	Pin	2	500418-001

INNER MECHANISM

Item	Description	Qty.	Part Number
72	@3 Gear, Idler:		
	Barrels, Standard and All Iron	1	516304-001
	Barrels, LPG.....	1	536528-001
	Hectoliters, Standard and All Iron.....	1	515302-001
	Hectoliters, LPG	1	536532-001
73	Bushing, LPG	1	512797-001
74	Gear, Jackshaft.....	1	500225-001
75	@3 Gear, Jackshaft Pinion:		
	Barrels and Hectoliters.....	1	500704-001
	Imperial Gallons	1	512249-001
76	Lug, Lifting, Rotor Assembly	1	552125-001
77	Nut, Rotor Shaft, 1-1/2"-12	2	641997-402
78	Pin, Cotter, 1/16 x 1/2".....	1	001095-401
79	Pin, Groove, 3/32 x 1/2".....	1	006136-002
80	Plug, Pipe, 1/2" NPT.....	1	006505-002
81	Rotor and Blade Assembly:		
	Standard.....	1	537691-001
	All Iron	1	536279-002
	LPG	1	537691-003
82	Bar, Adjusting.....	1	536440-001
83	+ Bearing, Rotor:		
	Standard and All Iron	2	513168-001
	LPG.....	2	513168-002
84	+ Bearing, Thrust:		
	Standard and All Iron	1	643999-401
	LPG.....	1	644010-401
85	+ Blade Assembly, Lower:		
	Standard (up to 1,000 SSU) and LPG	1	536266-001
	All Iron (up to 1,000 SSU)	1	537714-001
	Std. – Modified for 1,000 SSU to 3,000 SSU	1	536266-101
	Std. – Modified for 3,000 SSU to 5,000 SSU	1	536266-102
	Std. – Modified for 5,000 SSU to 10,000 SSU	1	536266-103
	Std. – Modified for 200°F Max.	1	536266-104
	Std. – Modified for 1,000 SSU to 3,000 SSU and 200°F	1	536266-105
	Std. – Modified for 3,000 SSU to 5,000 SSU and 200°F	1	536266-106
	Std. – Modified for 5,000 SSU to 10,000 SSU and 200°F	1	536266-107
	A.I. – Modified for 5,000 SSU to 10,000 SSU	1	537714-103
86	+ Bearing, Blade:		
	Nylon Retainer.....	4	644412-405
87	Bushing, Blade	2	512353-001
88	Pin, Cotter, 3/32 x 1-1/4"	2	006373-001
89	Shaft, Blade Bearing	2	551361-001
90	+ Blade Assembly, Middle:		
	Standard (up to 1,000 SSU) and LPG	1	536263-001
	All Iron (up to 1,000 SSU)	1	536587-001
	Std. – Modified for 1,000 SSU to 3,000 SSU	1	536263-101
	Std. – Modified for 3,000 SSU to 5,000 SSU	1	536263-102
	Std. – Modified for 5,000 SSU to 10,000 SSU	1	536263-103
	Std. – Modified for 200°F Max.	1	536263-104
	Std. – Modified for 1,000 SSU to 3,000 SSU and 200°F	1	536263-105
	Std. – Modified for 3,000 SSU to 5,000 SSU and 200°F	1	536263-106
	Std. – Modified for 5,000 SSU to 10,000 SSU and 200°F	1	536263-107
	A.I. – Modified for 5,000 SSU to 10,000 SSU	1	536587-103
91	+ Bearing, Blade:		
	Nylon Retainer.....	4	644412-40
92	Bushing, Blade	2	512353-001
93	Pin, Cotter, 3/32 x 1-1/4"	4	006373-001
94	Shaft, Blade Bearing	2	551361-001

INNER MECHANISM

Item	Description	Qty.	Part Number
95	+		Blade Assembly, Upper:
			Standard (up to 1,000 SSU) and LPG 1 536265-001
			All Iron (up to 1,000 SSU) 1 537713-001
			Std. – Modified for 1,000 SSU to 3,000 SSU 1 536265-101
			Std. – Modified for 3,000 SSU to 5,000 SSU 1 536265-102
			Std. – Modified for 5,000 SSU to 10,000 SSU 1 536265-103
			Std. – Modified for 200°F Max. 1 536265-104
			Std. – Modified for 1,000 SSU to 3,000 SSU and 200°F 1 536265-105
			Std. – Modified for 3,000 SSU to 5,000 SSU and 200°F 1 536265-106
			Std. – Modified for 5,000 SSU to 10,000 SSU and 200°F 1 536265-107
			A.I. – Modified for 5,000 SSU to 10,000 SSU 1 537713-103
96	+		Bearing, Blade:
			Nylon Retainer 4 644412-405
97			Bushing, Blade 2 512353-00
98			Pin, Cotter, 3/32 x 1-1/4" 2 006373-001
99			Shaft, Blade Bearing 2 551361-001
100	+		Cam and Shaft Assembly 1 536254-001
101			Cam 1 536251-001
102			Key 1 536255-001
103			Shaft 1 536253-001
104			Collar 1 536269-001
105			Cone, Shaft 1 536273-001
106			Key 1 500192-001
107			Lock, Rotor Bearing, Lower 1 536403-001
108			Lock, Rotor Bearing, Upper 1 537069-001
109			Nut, Adjusting Screw, 1/2"-20 UNF-2B 2 640671-001
110			Pin, Roll, 5/32 x 1" 1 010527-400
111			Pin, Rotor Cover Roller 6 500197-001
112			Plate, Rotor Cover Roller Pin 12 536272-001
113			Plate, Lock Assembly 2 512965-001
114			Plate, Rotor Gear 1 536268-001
115			Pin, Dowel 1 000004-001
116	+		Roller, Rotor Cover 6 500196-001
117			Rotor, Sub Assembly:
			Standard (up to 1,000 SSU) 1 536259-001
			Std. – Modified for 1,000 SSU to 3,000 SSU 1 536259-101
			Std. – Modified for 3,000 SSU to 5,000 SSU 1 536259-102
			Std. – Modified for 5,000 SSU to 10,000 SSU 1 536259-103
118			Dowel 9 500415-001
119			Screw, Cap, 3/8"-16 UNC-2A, Drilled 8 642048-419
120	@4		Sleeve, Lower:
			1993 to present (Not sold as a separate component - included with item number 117) -
			Prior to 1993 1 536258-002
121	@4		Sleeve, Upper:
			1993 to present (Not sold as a separate component - included with item number 117) -
			(Prior to 1993) 1 536258-001
122			Screw, Adjusting 1 536274-001
123			Screw, Cap, 1/4-20 x 1/2" 12 006775-002
124			Screw, Cap, 3/8-16 x 1-1/4" 6 640367-001
125			Washer, Flat 1 646636-401
126			Screw, #10-32 x 3/8" Nylock 2 643339-401
127			Screw, Adjusting Screw Cap, 5/16-18 x 1-1/4" 4 006151-002
128			Screw, Body, 5/8-11 x 1-3/4" 24 006156-002
129			Screw, Cap, Body and Block, 1/2-13 x 2 3 646134-401
130	*		Screw, Drive, Caution Tag 2 006220-002
131			Screw, Pitot, #10-32 x 1/2" 2 006110-002
132			Screw, Set, 1/4-20 x 1/4" 1 006538-001

INNER MECHANISM

Item	Description	Qty.	Part Number
133	Shaft, Idler Gear	1	500233-001
134	Sleeve, Assembly:		
	Standard and All Iron.....	1	500412-001
	LPG.....	1	512791-001
135	Bushing:		
	Standard and All Iron	2	519882-002
	LPG.....	2	512796-001
136	* Tag, Caution.....	1	006572-001
137	Washer	3	014012-200
138	Washer:		
	Standard and All Iron.....	1	009615-400
	LPG	1	060554-001
139	Washer, Flat.....	2	006929-001
140	Washer, Lock	3	642482-406

Inner Mechanism General Assembly Numbers

Barrel Geared, Standard.....	536279-091
Barrel Geared, All Iron Trim	536279-092
Barrel Geared, LPG Trim	536279-093
Hectoliter Geared, Standard	536279-291
Hectoliter Geared, All Iron Trim.....	536279-292
Hectoliter Geared, LPG Trim	536279-293

* Not illustrated.

+ Recommended stock.

R Indicates change since last revision.

@1 Note 1: When ordering, include meter model and gearing, temperature and API gravity, and table.

@2 Note 2: See Form No. [PO01042](#) for component.

@3 Note 3: Only standard gearing is listed. For additional gearing combinations, see Gear Train Bulletin [AB01023](#).

@4 Note 4: Apply a small amount of Loctite (Part No. 645001-401) to sleeve before installing in rotor.

The specifications contained herein are subject to change without notice and any user of said specifications should verify from the manufacturer that the specifications are currently in effect. Otherwise, the manufacturer assumes no responsibility for the use of specifications which may have been changed and are no longer in effect. Contact information is subject to change. For the most current contact information, visit our website at TechnipFMC.com and click on the "Contact Us" link.

TechnipFMC.com

© TechnipFMC 2018 All rights reserved. PO01019 Issue/Rev. 0.3 (4/18)

TechnipFMC
FMC Technologies
Measurement Solutions, Inc.
500 North Sam Houston Parkway West,
Suite 100
Houston, Texas 77067 USA
P:+1 281.260.2190

USA Operation
1602 Wagner Avenue
Erie, Pennsylvania 16510 USA
P:+1 814.898.5000

Germany Operation
Smith Meter GmbH
Regentstrasse 1
25474 Ellerbek, Germany
P:+49 4101 304.0