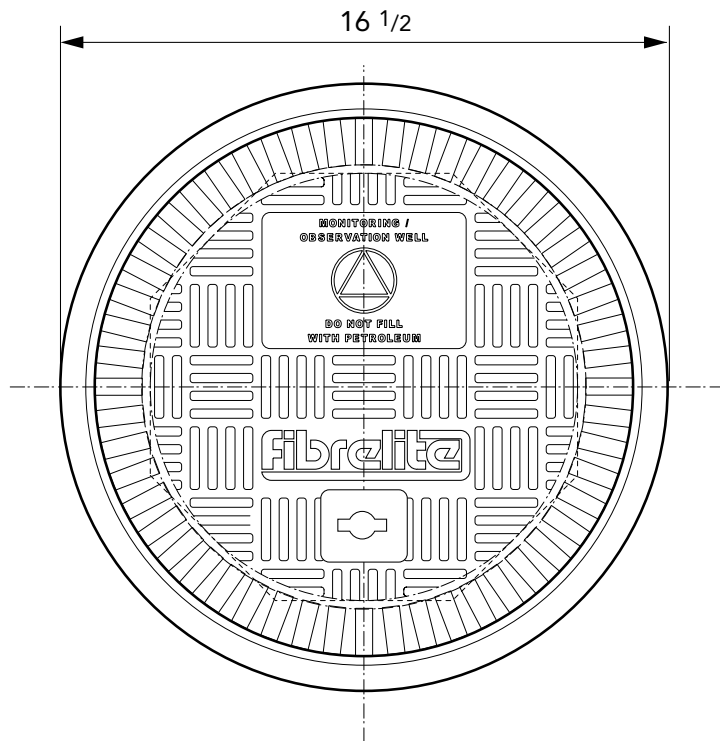


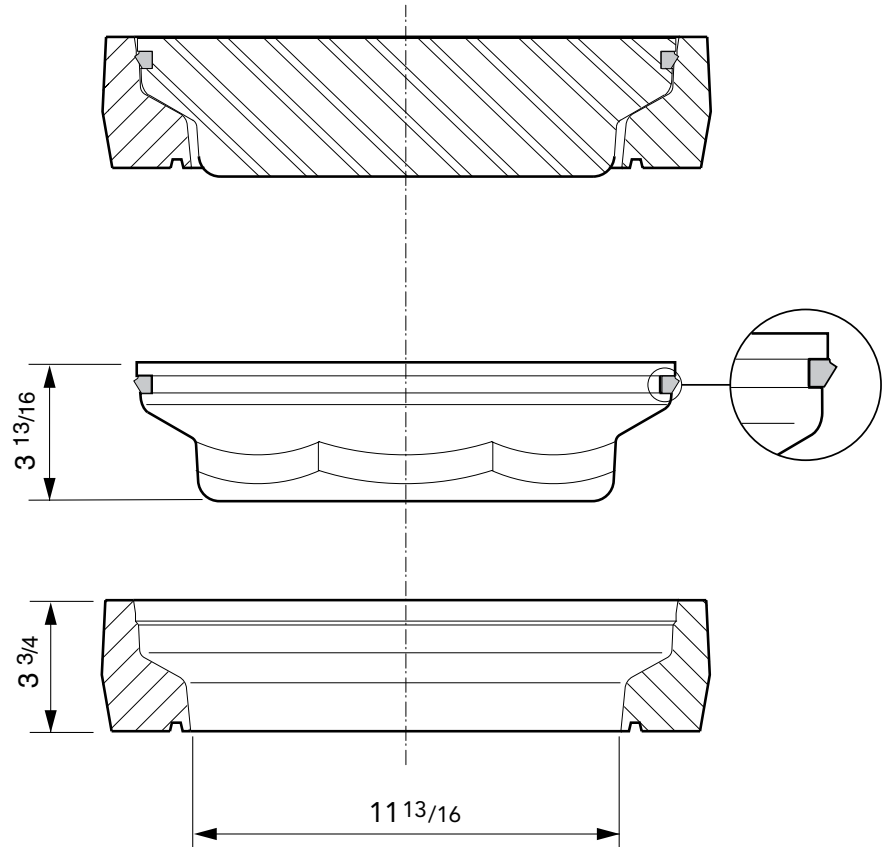
FL120 Monitoring Well - 12" diameter flat sealed composite cover with "Do Not Fill" ID logo and composite cover.

For reference purposes only. This drawing is not a specification. Order against product code only. To enable continuous improvement of our products, the designs and specifications are subject to change without notice.

**FIBRELITE**   
PART OF OPW A  COMPANY



Load Rating	Cover Weight	Frame Weight
89,000lbs	13lbs	8lbs

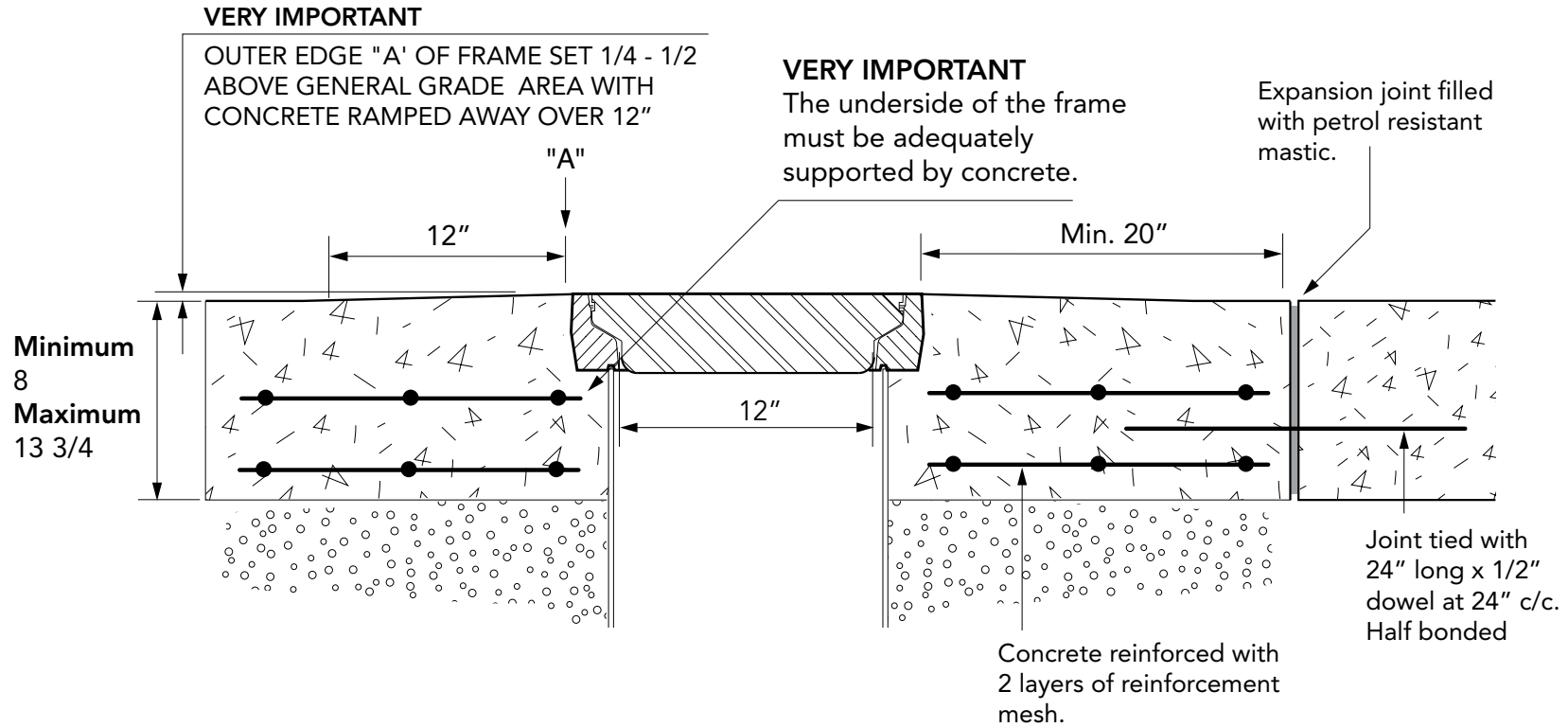


FL120 Monitoring Well - 12" diameter flat sealed composite cover with "Do Not Fill" ID logo and composite cover.

For reference purposes only. This drawing is not a specification. Order against product code only. To enable continuous improvement of our products, the designs and specifications are subject to change without notice.



# CONCRETE



# BLACKTOP

