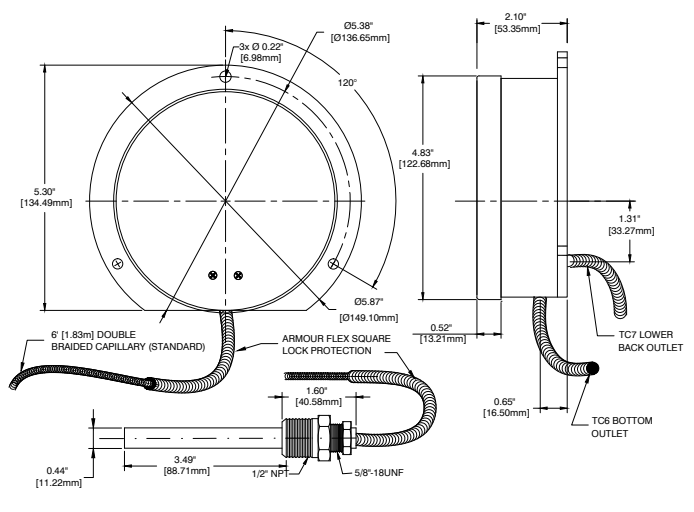
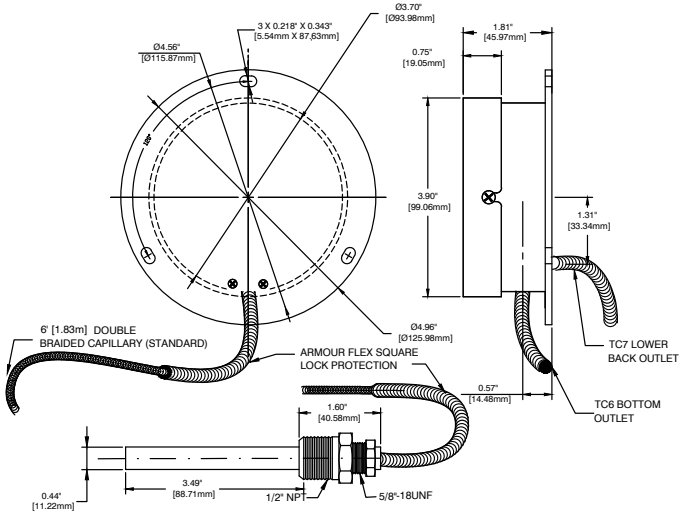


REMOTE READING THERMOMETER MANUFACTURED AT OUR PLANT MODELSTC6 ANDTC7

Illustrated model: TC6



Illustrated model: TC7



Specifications

Case:	Cast aluminum painted black, back flange standard
Dial:	White aluminum, black graduations °F inner, °C outer
Ring:	3 ½ in (87 mm) cast aluminum, painted black 4 ½ in (115 mm) chrome plated steel
Lens:	Glass, lexan optional
Pointer:	Anodized black aluminum, adjustable
Bulb and connection:	Bulb 3.49 in (88.7 mm) long x 7/16 in (11.2 mm) Ø, fittings 5/8 - 18 UNF and 5/8 - 18 UNF x ½ in nptm
Movement:	Brass
Capillary:	6 feet (1.83 m) double braided copper standard, up to 75 feet (22.86 m)
Accuracy:	ASME B40.200(B40.4), Grade B ± 2 % CAN/CGSB - 14.4

Applications :

Models TC6 and TC7 are vapour actuated (for distances up to 75 feet (22.86 m) between bulb and dial). Temperature changes registered by the capillary or casing will not affect the reading. Well available for models TC and PX = WEL-TC400SS316 or WEL-TC400BRASS. See page T19.

REMOTE READING THERMOMETER MANUFACTURED AT OUR PLANT (CONTINUED)
MODELSTC6 ANDTC7

To order, use the code in the corresponding column

Size	3 1/2 in (87 mm)		4 1/2 in (115 mm)	
Connection	1/2 nptm			
Outlet	bottom	lower back	bottom	lower back
Range				
0 to 100°F / -15 to 38°C	TC635-30	TC735-30	TC645-30	TC745-30
-40 to 120°F / -40 to 50°C	TC635-31	TC735-31	TC645-31	TC745-31
0 to 160°F / -15 to 70°C	TC635-32	TC735-32	TC645-32	TC745-32
30 to 240°F / 0 to 115°C	TC635-33	TC735-33	TC645-33	TC745-33
50 to 300°F / 10 to 150°C	TC635-34	TC735-34	TC645-34	TC745-34
200 to 450°F / 100 to 235°C	TC635-35	TC735-35	TC645-35	TC745-35

Options

304 stainless steel armour flex square lock protection available upon request.
 Well available for models TC and PX = WEL-TC400SS316 or WEL-TC400BRASS. See page T19.