

3-Valve In-Line Block & Bleed Manifold

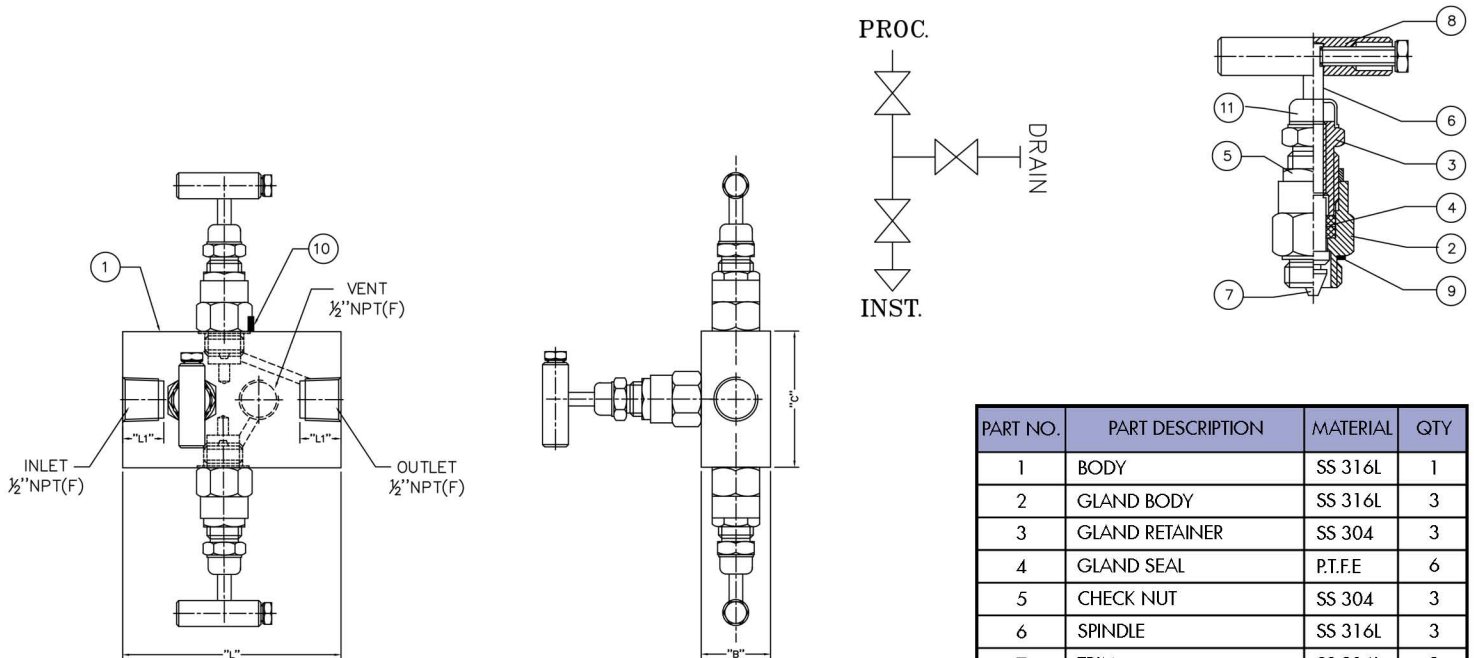
Remote Mount with Vent

Mac-Weld's 3 - Valve In-Line Block and Bleed manifold is a variation of a typical 2 valve block and bleed manifold for gauge and static instrument applications. An additional block valve is provided as well as a single 1/2" vent/drain port located on the underside of the manifold.

- 316L Stainless Steel Body, stem and trim
- 6000 psig @ 100° F (414 bar @ 38° C)
- PTFE Packing
- Non-rotating trim provides bubble tight shut-off
- Optional availability: NACE certified wetted parts and graphoil packing



PART NUMBER				
M-3BB-L-RM-08F-08F-V08F				
MANIFOLD TYPE AND DESCRIPTION	END CONNECTION		DRAIN / VENT c/w PLUG	MATERIAL
	PROCESS	INSTRUMENT		
Stainless Steel 3 Valve Block and Bleed In-Line Manifold, Remote mount, T-Bar handle, c/w Vent/Drain	1/2" Female NPT	1/2" Female NPT	1/2" Female NPT	316L



PART NO.	PART DESCRIPTION	MATERIAL	QTY
1	BODY	SS 316L	1
2	GLAND BODY	SS 316L	3
3	GLAND RETAINER	SS 304	3
4	GLAND SEAL	P.T.F.E	6
5	CHECK NUT	SS 304	3
6	SPINDLE	SS 316L	3
7	TRIM	SS 316L	3
8	HANDLE	SS 304	3
9	WASHER	S.S.	3
10	LOCK PIN	SS 304	3
11	DUST CAP	P.V.C.	3

3 - Valve Manifold

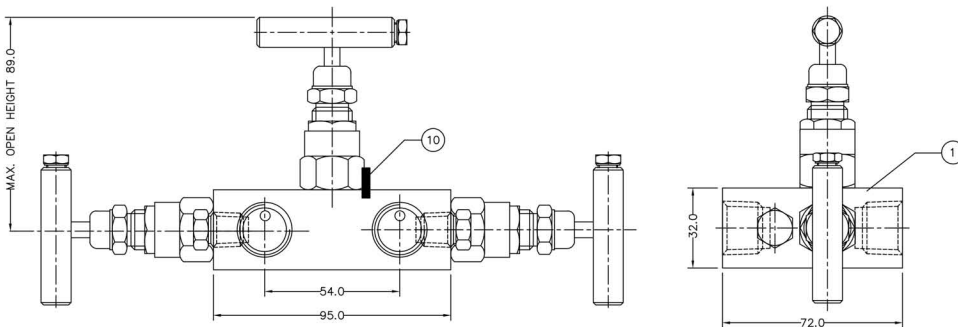
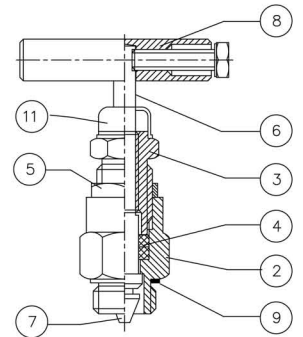
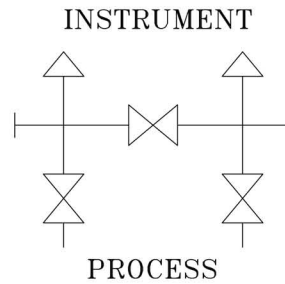
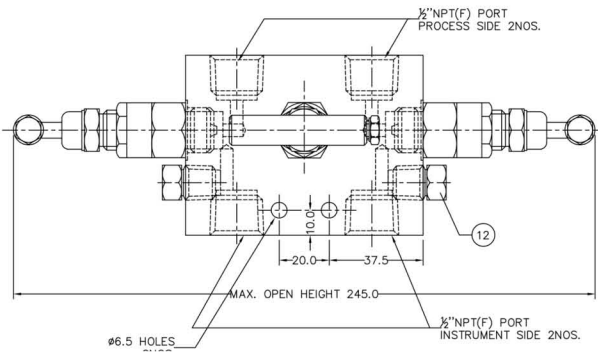
Remote Mount with Drain

Mac-Weld's 3-Valve Remote Mount Manifold with drain/vent for differential pressure instrumentation. The manifold has one equalizer valve, two isolation valves and two drain/vent ports.

- 316L Stainless Steel Body, stem and trim
- 6000 psig @ 100° F (414 bar @ 38° C)
- PTFE Packing
- Non-rotating trim provides bubble tight shut-off
- Optional availability: NACE certified wetted parts and graphoil packing



PART NUMBER				
M-3C-L-RM-08F-08F-P				
MANIFOLD TYPE AND DESCRIPTION	END CONNECTION		DRAIN / VENT c/w PLUG	MATERIAL
	PROCESS	INSTRUMENT		
Stainless Steel 3 Valve Manifold, Remote mount, T-Bar handle, c/w Drain/Vent	½" Female NPT	½" Female NPT	¼" Female NPT	316L



PART NO.	PART DESCRIPTION	MATERIAL	QTY
1	BODY	SS 316L	1
2	GLAND BODY	SS 316L	3
3	GLAND RETAINER	SS 304	3
4	GLAND SEAL	P.T.F.E	6
5	CHECK NUT	SS 304	3
6	SPINDLE	SS 316L	3
7	TRIM	SS 316L	3
8	HANDLE	SS 304	3
9	WASHER	S.S.	3
10	LOCK PIN	SS 304	3
11	DUST CAP	P.V.C.	3
12	DRAIN PLUG ¼" NPT (F)	SS 316L	2

3 - Valve 'T' Type Manifold

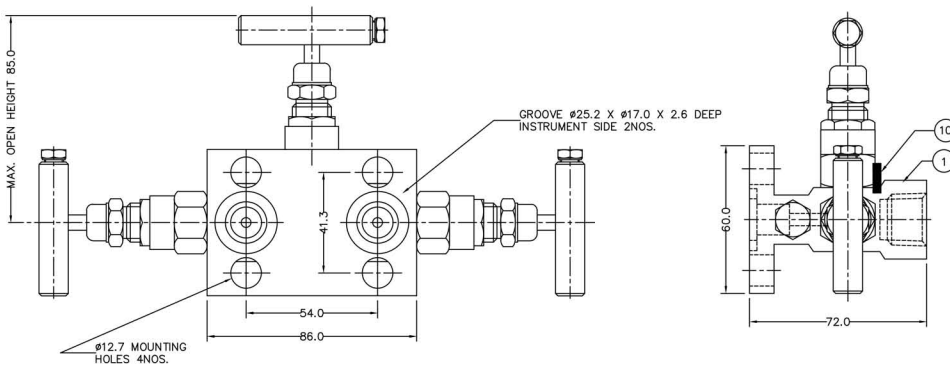
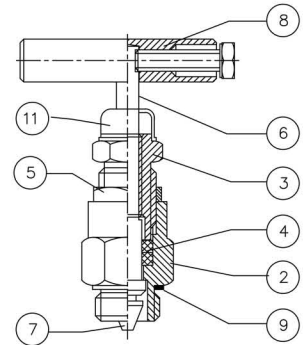
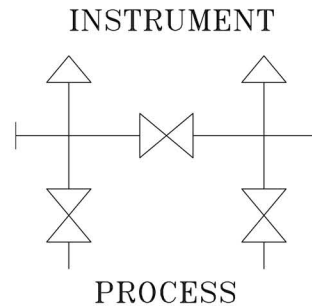
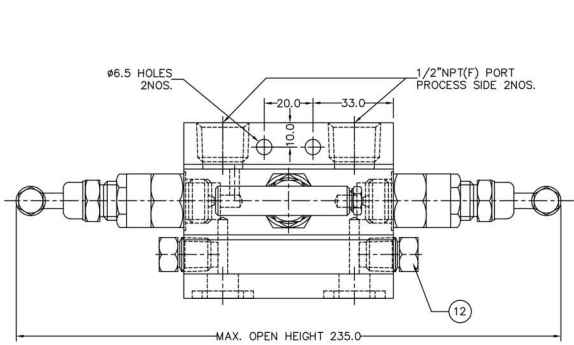
Direct Mount with Drain

Mac-Weld's 3 - Valve Direct Mount 'T' Type Manifold with drain/vent for differential pressure instrumentation. The manifold has one equalizer valve, two isolation valves and two drain/vent ports

- 316L Stainless Steel Body, stem and trim
- 6000 psig @ 100° F (414 bar @ 38° C)
- PTFE Packing
- Non-rotating trim provides bubble tight shut-off
- Optional availability: NACE certified wetted parts and graphoil packing
- Flange O-rings and mounting bolts included with manifold



PART NUMBER				
M-3T-L-DM-08F-FLG-P				
MANIFOLD TYPE AND DESCRIPTION	END CONNECTION		DRAIN / VENT c/w PLUG	MATERIAL
	PROCESS	INSTRUMENT		
Stainless Steel 3 Valve Manifold, 'T' Type, Direct mount, T-Bar handle, c/w Drain/Vent	1/2" Female NPT	Flange	1/4" Female NPT	316L



PART NO.	PART DESCRIPTION	MATERIAL	QTY
1	BODY	SS 316L	1
2	GLAND BODY	SS 316L	3
3	GLAND RETAINER	SS 304	3
4	GLAND SEAL	P.T.F.E	6
5	CHECK NUT	SS 304	3
6	SPINDLE	SS 316L	3
7	TRIM	SS 316L	3
8	HANDLE	SS 304	3
9	WASHER	S.S.	3
10	LOCK PIN	SS 304	3
11	DUST CAP	P.V.C.	3
12	DRAIN PLUG 1/4" NPT (F)	SS 316L	2

5 - Valve Manifold

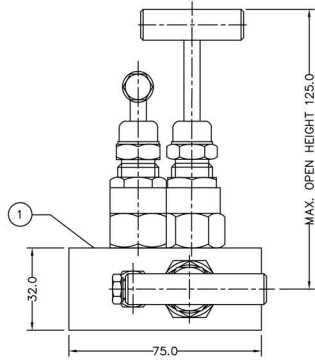
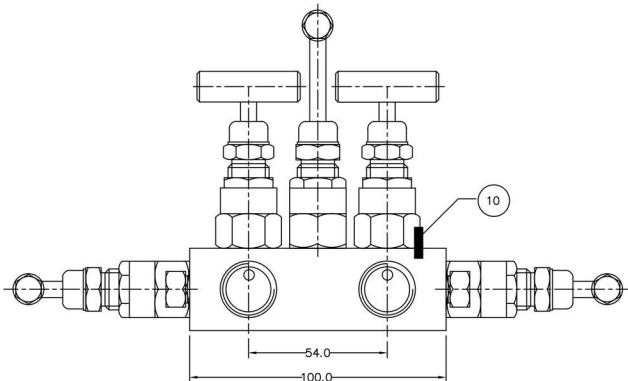
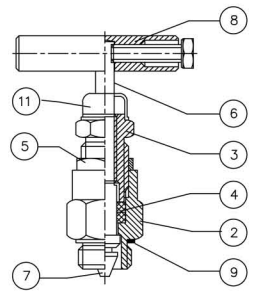
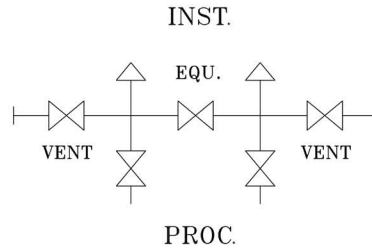
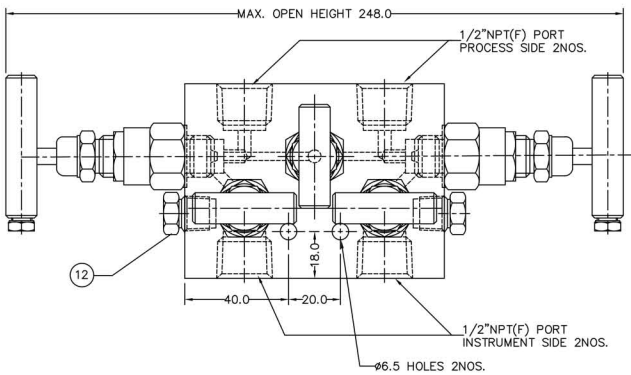
Remote Mount with Drain

Mac-Weld's 5 - Valve Remote Mount Manifold with drain/vent for differential pressure instrumentation. The manifold has one equalizer valve, two isolation valves and two drain/vent ports.

- 316L Stainless Steel Body, stem and trim
- 6000 psig @ 100° F (414 bar @ 38° C)
- PTFE Packing
- Non-rotating trim provides bubble tight shut-off
- Optional availability: NACE certified wetted parts and graphoil packing



PART NUMBER				
M-5C-L-RM-08F-08F-P				
MANIFOLD TYPE AND DESCRIPTION	END CONNECTION		DRAIN / VENT c/w PLUG	MATERIAL
	PROCESS	INSTRUMENT		
Stainless Steel 5 Valve Manifold, Remote mount, T-Bar handle	1/2" Female NPT	1/2" Female NPT	1/4" Female NPT	316L



PART NO.	PART DESCRIPTION	MATERIAL	QTY
1	BODY	SS 316L	1
2	GLAND BODY	SS 316L	5
3	GLAND RETAINER	SS 304	5
4	GLAND SEAL	P.T.F.E	10
5	CHECK NUT	SS 304	5
6	SPINDLE	SS 316L	5
7	TRIM	SS 316L	5
8	HANDLE	SS 304	5
9	WASHER	S.S.	5
10	LOCK PIN	SS 304	5
11	DUST CAP	P.V.C.	5
12	DRAIN PLUG 1/4" NPT (F)	SS 316L	2