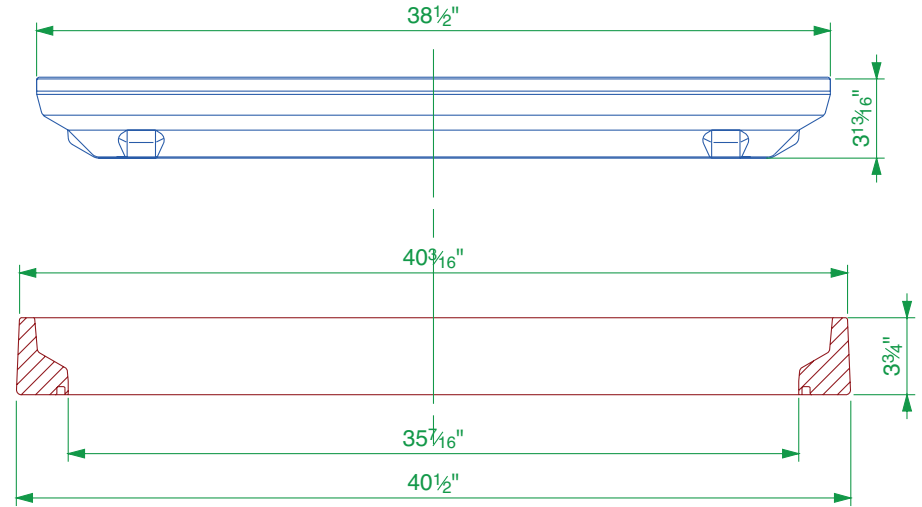
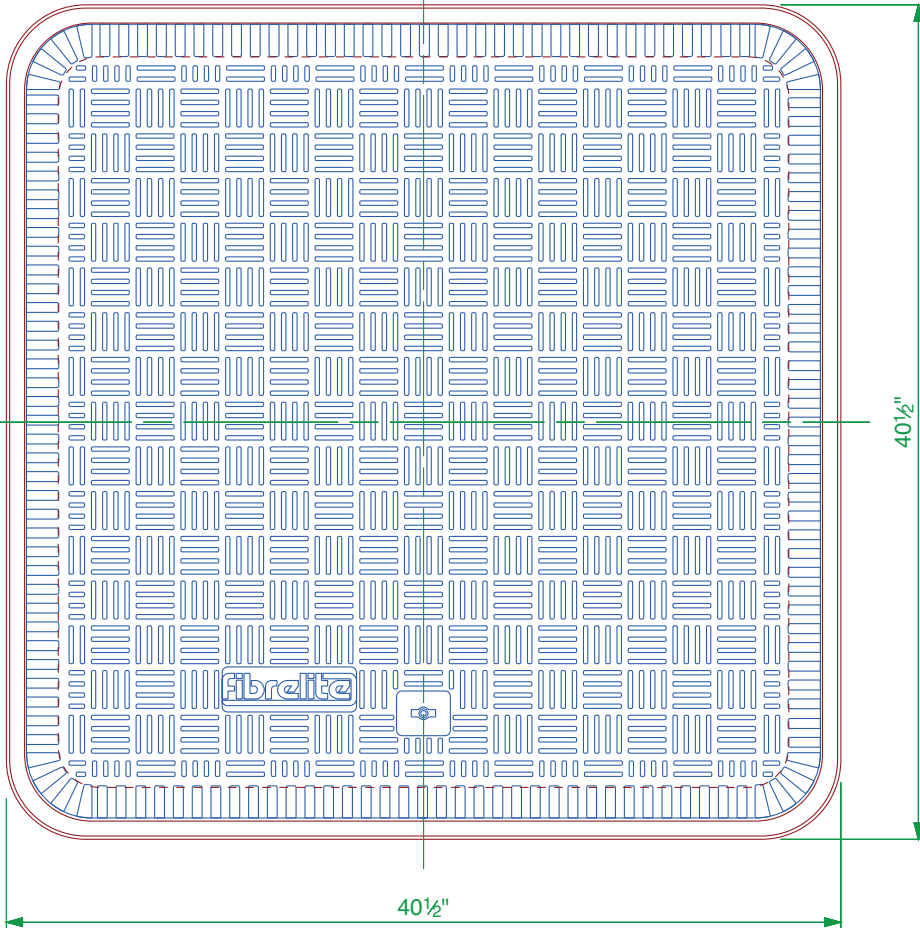
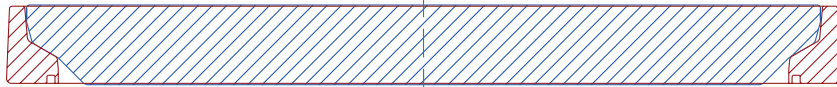


36" x 36" flat sealed composite cover and aluminum frame.

For reference purposes only. This drawing is not a specification. Order against product code only. To enable continuous improvement of our products, the designs and specifications are subject to change without notice.

FIBRELITE 
PART OF OPW A DOVER COMPANY



FIBRELITE COVER TYPE	LOAD RATING	TEST LOAD	POUNDS/ FORCE	COVER WEIGHT
Light Duty (LD)	B125	125 kN	28,000	62 lbs
Standard Duty (SD)	C250	250 kN	56,000	101 lbs
Heavy Duty (HD)	D400	400 kN	89,000	143 lbs

36" x 36" flat sealed composite cover and aluminum frame.

For reference purposes only. This drawing is not a specification. Order against product code only. To enable continuous improvement of our products, the designs and specifications are subject to change without notice.

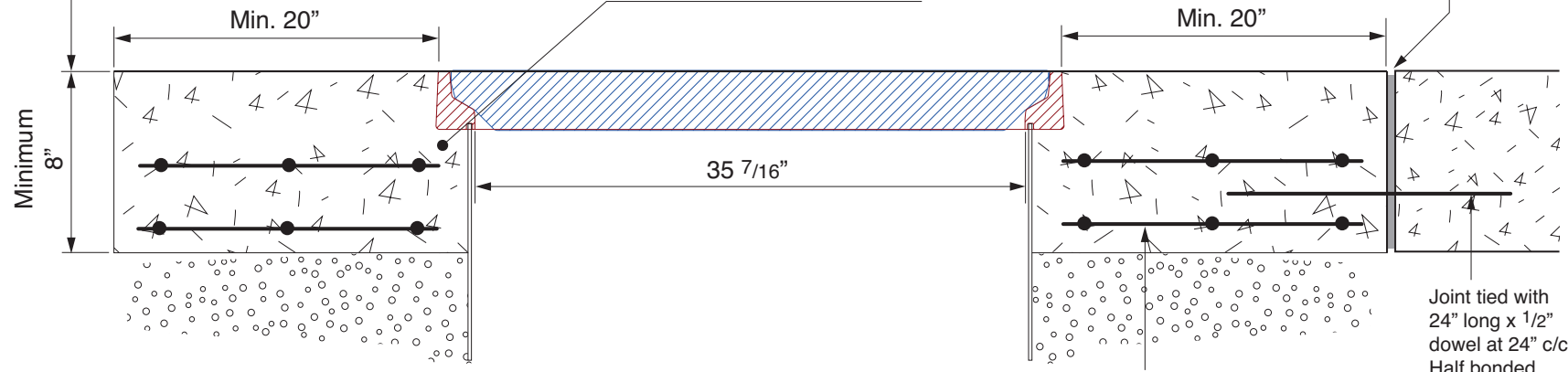


CONCRETE

Install FL Series frame flush with concrete or 1/16" below grade (to allow for snowplow clearance).

VERY IMPORTANT
The underside of the frame must be adequately supported by concrete - concrete installers must work the concrete so that it flows under the frame.

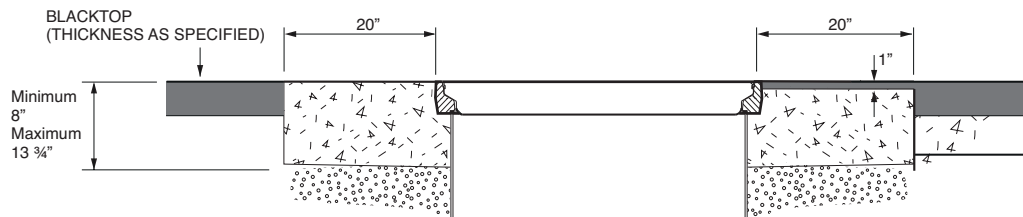
Expansion joint filled with petrol resistant mastics.



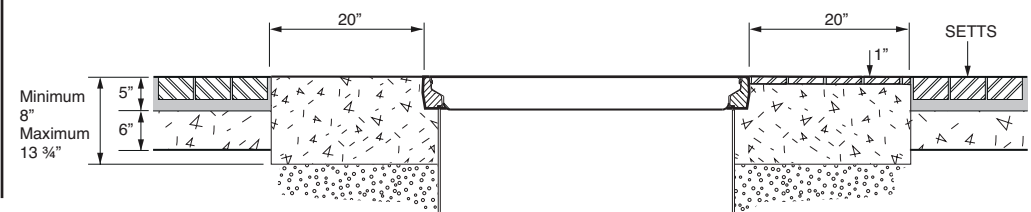
Concrete reinforced with rebar reinforcement or equivalent.



BLACKTOP



PAVING STONES / BRICKWORK



36" x 36" flat sealed composite cover and aluminum frame.

For reference purposes only. This drawing is not a specification. Order against product code only. To enable continuous improvement of our products, the designs and specifications are subject to change without notice.

