



The electrical level transmitter with welded flange - side mounting

The PL3701-I-W Electronic Level Transmitter is a linearized, ceramic device specially designed for petroleum and chemical applications that measure level in service tanks, ballast tanks or slop and water tanks. It features an IP68-rated sensor through 316 L stainless steel housing and shielded polyester cable. The remote electronic box in stainless steel 316L includes the

amplifier with zero and span adjustment.

PL3701-I-W - Technical Specifications

Technical Data

Ranges:	120 mbar to 4 bar
Overpressure:	6 to 25 bar
Accuracy:	±0,3% FS at 20°C
Ranges:	120 mbar to 4 bar
Protection class:	- Transducer: IP68 - Remote electronic box: IP66/67

Intrinsic safety: IECEx, ATEX.
II 1 G D
Ex ia IIC T6 Ga or Ex ia IIB T6 Ga
Ex ia IIIC T80°C Da IP66/67

(Max 50m cable between sensor and remote electronic box).

Power supply: 12-28 Vdc
Output signal: 4-20 mA, 2-wires

Operating temperature ranges:
- Transducer: - 40° to + 125°C
- Remote electronic box: - 25° to + 85°C

Cable length: 3m in standard (option: up to 50m)

Special Features

Material:

- Remote box: Stainless steel 316L.
- Sensor: Stainless steel 316L.
- Diaphragm: Ceramic.
- Flange: Stainless steel 316L.
- Cable: Polyethylene (fire retardant).

Recommended zener barrier for installation in hazardous area : MTL7787+.

Sensor up to max 125°C.

Polyethylene cable up to max 60°C (standard).

PTFE cable up to max 120°C (optional).

2 or 3 flexible conduits (optional).

Screwed ISO flange: PN40DN25 or PN16DN40

Technical Documentation

Installation manual:	MI5090
Technical manual:	NT5090
Maintenance manual:	MM5090

Honeywell Marine SAS

9, rue Isaac Newton

ZA Port Sec Nord, Esprit 1

18000 Bourges – France

Phone : + 33 (0) 248 237 901

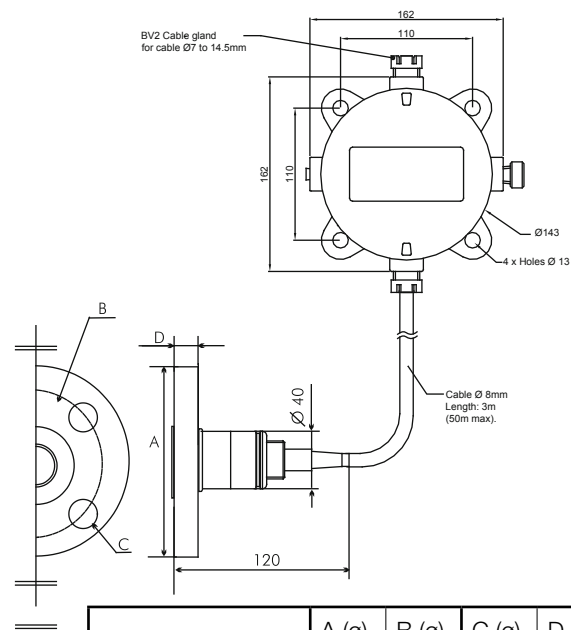
Fax : + 33 (0) 248 237 903

E-Mail: contact.marine@honeywell.com

www.honeywellmarine.com

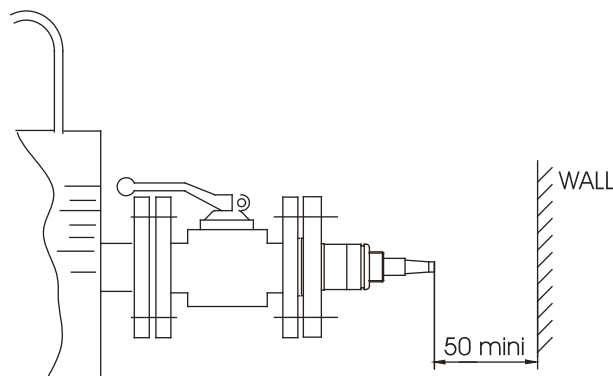
HM-11-27-ENG
October 2013
© 2013 Honeywell International Inc.

Dimensions & Fixation

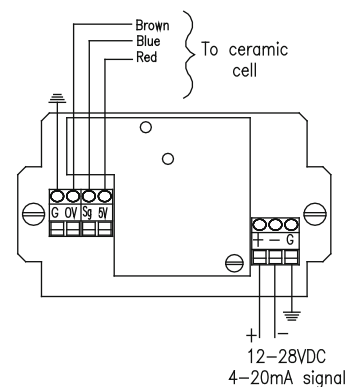


	A (ø)	B (ø)	C (ø)	D
ISO PN40 DN25	115	85	4x14	16
ISO PN16 DN40	150	110	4x18	18

Mechanical Connection



Electrical Connection



Honeywell