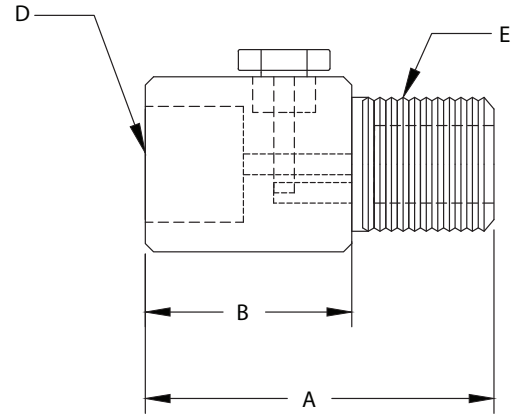
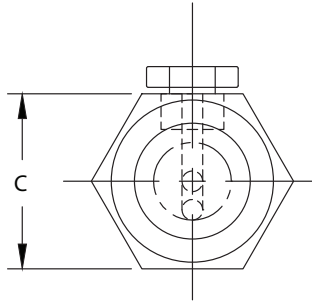


## ADJUSTABLE SNUBBER MODEL SNAJ

Illustrated model: SNAJ



### Specifications

Housing:	Brass or 316 stainless steel
Connection:	¼ in nptm x ¼ in nptf or ½ in nptm x ½ in nptf
Adjustable stem: <b>(warning)</b>	Do not adjust more than two turns from closed position <b>(may cause leaking)</b>
Temperature rating:	-22 to 392°F / -30 to 200°C
Pressure rating:	Brass and 316 stainless steel: 6,000 psi (41,368 kPa)

### Dimensions as per diagram (continued)

Model	A	B	C	D	E
SN25	1.65 in (25.4 mm)	1 in (25.4 mm)	0.75 in (19 mm)	¼ in nptf	¼ in nptm
SN50	2.17 in (55.1 mm)	1.25 in (31.75 mm)	1.06 in (26.9 mm)	½ in nptf	½ in nptm
SNAJ25	2.04 in (51.8 mm)	1.47 in (37.33 mm)	0.75 in (19 mm)	¼ in nptf	¼ in nptm
SNAJ50	2.39 in (60.7 mm)	1.65 in (41.9 mm)	1.25 in (31.75 mm)	½ in nptf	½ in nptm

To order, use the code in the corresponding column

Description	Product code
1/4 in nptm x 1/4 in nptf brass (air)	SN25B-A
1/4 in nptm x 1/4 in nptf brass (oil)	SN25B-O
1/4 in nptm x 1/4 in nptf brass (water)	SN25B-W
1/4 in nptm x 1/4 in nptf SS304 (air)	SN25304-A
1/4 in nptm x 1/4 in nptf SS304 (oil)	SN25304-O
1/4 in nptm x 1/4 in nptf SS304 (water)	SN25304-W
1/2 in nptm x 1/2 in nptf brass (air)	SN50B-A
1/2 in nptm x 1/2 in nptf brass (oil)	SN50B-O
1/2 in nptm x 1/2 in nptf brass (water)	SN50B-W
1/4 in nptm x 1/4 in nptf brass adjustable	SNAJ25-B
1/4 in nptm x 1/4 in nptf SS316 adjustable	SNAJ25-316
1/2 in nptm x 1/2 in nptf brass adjustable	SNAJ50-B
1/2 in nptm x 1/2 in nptf SS316 adjustable	SNAJ50-316