

A

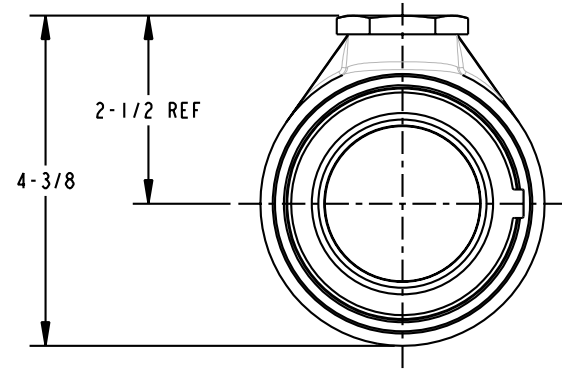
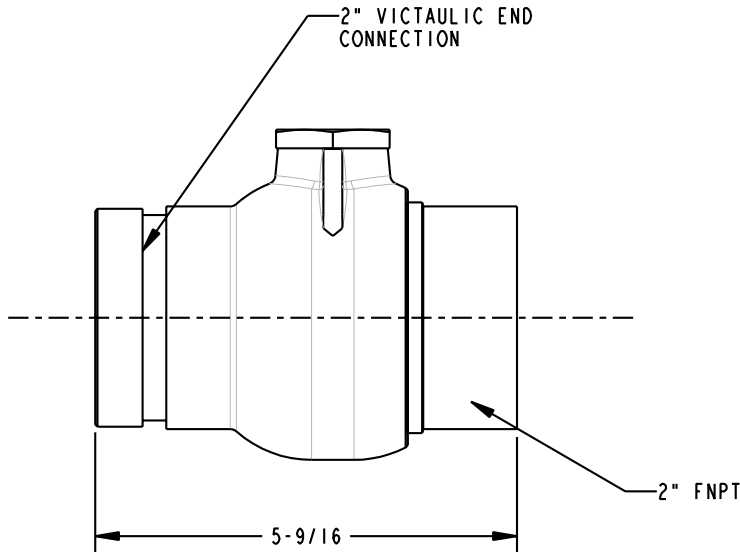
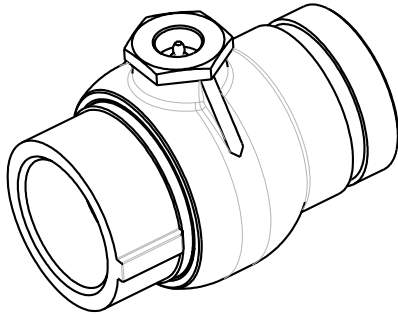
B

C

D

THIS DRAWING IS NOT TO BE SCALED. FOR ADDITIONAL INFORMATION. PLEASE CONTACT OUR ENGINEERING DEPT.

REVISIONS					
LTR	ECN #	DESCRIPTION	DRAWN	APPROVED	DATE
A	-	CORRECTED INLET/OUTLET SIZE	SCK		07/05/11



CONFIDENTIAL THIS DOCUMENT CONTAINS INFORMATION WHICH IS PROPRIETARY TO OPW, AND SHOULD BE PROTECTED ACCORDINGLY.			DESCRIPTION: 2" SWIVEL, ALUMINUM, STYLE 20VO		
UNLESS OTHERWISE SPECIFIED TOLERANCES ON DIMENSIONS 3 DECIMALS +/- 0.005 2 DECIMALS +/- 0.015 1 DECIMAL +/- 0.030 ANGLES +/- 1/2 DEG MACHINED SURFACES 125 RMS MAX	SIGNATURES		MO-DA-YR	REV:	PART NUMBER: 3620VO-02XX
	DRAWN: SCK		11/15/06	A	
	CHECKED: -		-	SIZE:	C
	MATERIAL: 34.000		WEIGHT: -	SCALE: 0.600	
OPW Engineered Systems A DOVER Resources Company Lebanon, Ohio 45036 USA 3D GENERATED DRAWING					

A

B

C

D

1

1

2

2

3

3

4

4