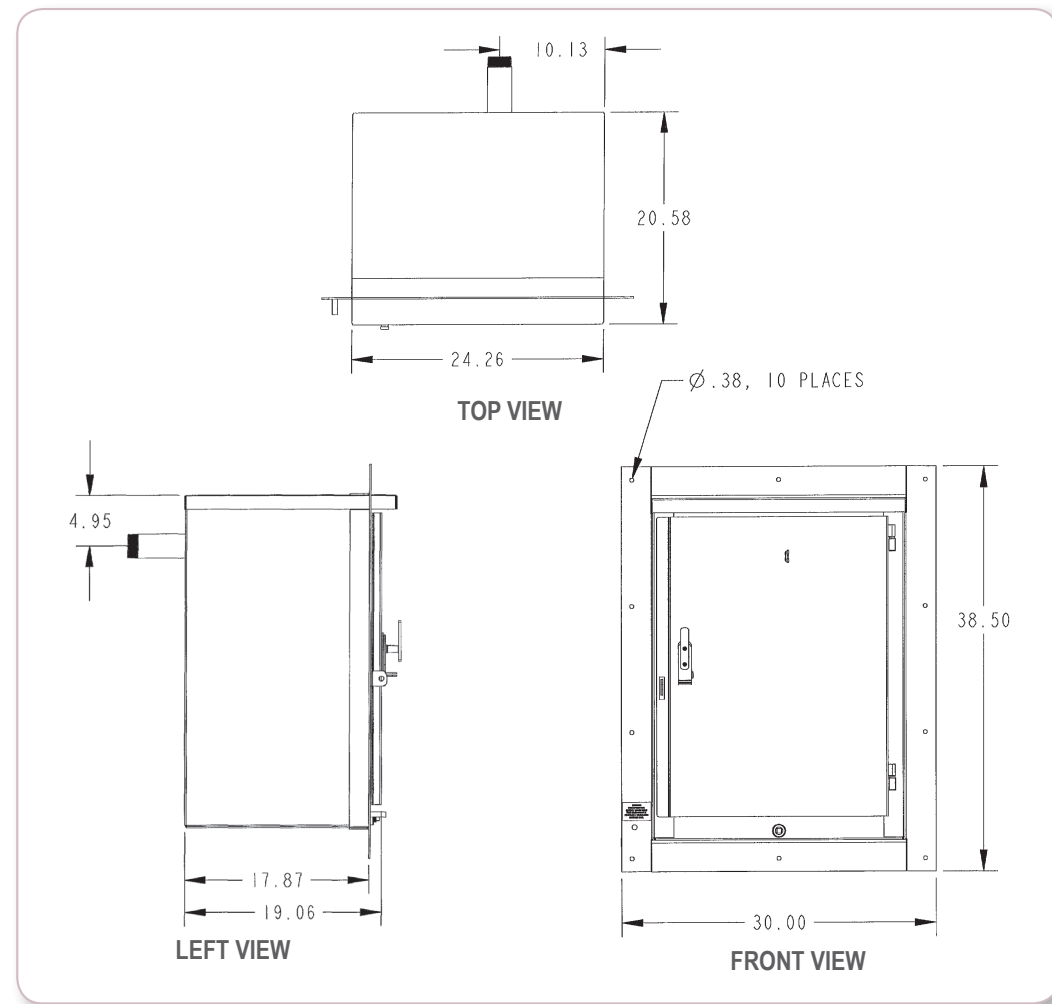


715F

Remote Fill Box Series: IN-WALL, BACK CONNECTION



**Rough opening dimensions
for mounting**

- Width = 24.875"
- Height = 33.375"



Florida DEP EQ-787



CAN-ULC-S663-11

Features:

- ◆ 7-gallon (26.5 liter) capacity
- ◆ 14 gauge steel (powder coated white) or 304 stainless steel
- ◆ Pad-lockable
- ◆ Integral grounding stud
- ◆ Drain located in front center

External Options

← 715 **F** - **T** **K** **2** - **2** **Q** **B** **B** - **0** →

Internal Options

715F-TK2



- ◆ 7-gallon (26.5 liter) capacity
- ◆ 14 gauge steel (powder coated white)
- ◆ 2" and 3" back connection
- ◆ In-wall flush mount

*See back page for dimensions.

715FS-TK2



- ◆ 7-gallon capacity (26.5 liter)
- ◆ 304 stainless steel
- ◆ 2" and 3" back connection
- ◆ In-wall flush mount

*See back page for dimensions.

Model Number

Fill Box Construction

F 7-gal. powder coated flush wall mount

S 7-gal. 304 stainless steel

Mounting Style

T Tank/Wall

Connection Location

K Back

Connection Thread Size

2 2" Male NPT nipple

Component Size

2* 2" components
* 2" transition between outlet fitting and ball valve.

Open

0 Box only

Hand Pump Assembly

0 No hand pump assembly

B Base package*

* Hand pump assembly base package: Steel constructed hand pump with PTFE seals and FKM o-rings, reinforced polyurethane tubing, brass check valve and ball valve.

E E85 Package

* Hand Pump Assembly E85 Package: Steel constructed hand pump with PTFE seals and FKM o-rings, reinforced polyurethane tubing, stainless steel check valve and ball valve.

S Stainless Steel Package

* Hand Pump Assembly Stainless Steel Package: Stainless steel constructed hand pump with PTFE seals and FKM o-rings, reinforced polyurethane tubing, stainless steel check valve and ball valve.

B E



S



Ball Valve

0 Box only

B Full port NPT ball valve with brass body, hard chrome plated ball & PTFE seals

S Full port, locking, NPT ball valve with stainless steel body and ball, PTFE seals

B



691 Ball Valve

S



691BSS Ball Valve

Inlet Connection

0 Box only

D Dry disconnect, hardcoated aluminum with stainless steel piston, FKM gaskets, and aluminum dust cap

E Dry disconnect, stainless steel body and piston, FKM gasket, and stainless steel dust cap (only available in 2")

Q 90° quick disconnect aluminum female coupler with brass check valve, FKM seals, and aluminum dust plug

S 90° quick disconnect stainless steel coupler with check valve, FKM seals, and stainless steel dust plug

M 90° quick disconnect aluminum male adaptor with stainless steel check valve, FKM seals, and aluminum dust cap

Dry Disconnect

D



927

E



927S

Quick Disconnect

M



Q

S



Item Number	Size	Description	Weight (lbs)
715F-TK2-0000-0	2" - 7-gal.	In-wall, back connection with no internal components	120.0
715F-TK2-2QBB-0	2" - 7-gal.	In-wall, back connection, female quick disconnect with plug	162.0
715F-TK2-2MBB-0	2" - 7-gal.	In-wall, back connection, male quick disconnect with cap	162.0
715F-TK2-2DBB-0	2" - 7-gal.	In-wall, back connection, dry-disconnect with cap	162.0
715F-TK3-0000-0	3"—7 gal.	In-wall, back connection w/ no internal components	N/A
715F-TK3-3DBB-0	3"—7 gal.	In-wall, back connection w/3" AL dry disc adaptor, BR ball valve, hand pump	N/A
715FS-TK2-2ES0	2" - 7-gal.	SS in-wall, back connection, DEF, with stainless steel dry-disconnect and stainless steel ball valve	129.0
715FS-TK2-2DBB	2" - 7-gal.	SS in-wall, back connection, dry disconnect with cap	129.0
715FS-TK2-2SS0	2" - 7-gal.	SS in-wall, back connection, DEF, stainless steel quick disconnect & stainless steel ball valve	

*Consult Price List for additional options.

*Option Q now has FKM seals (previously Buna seals)