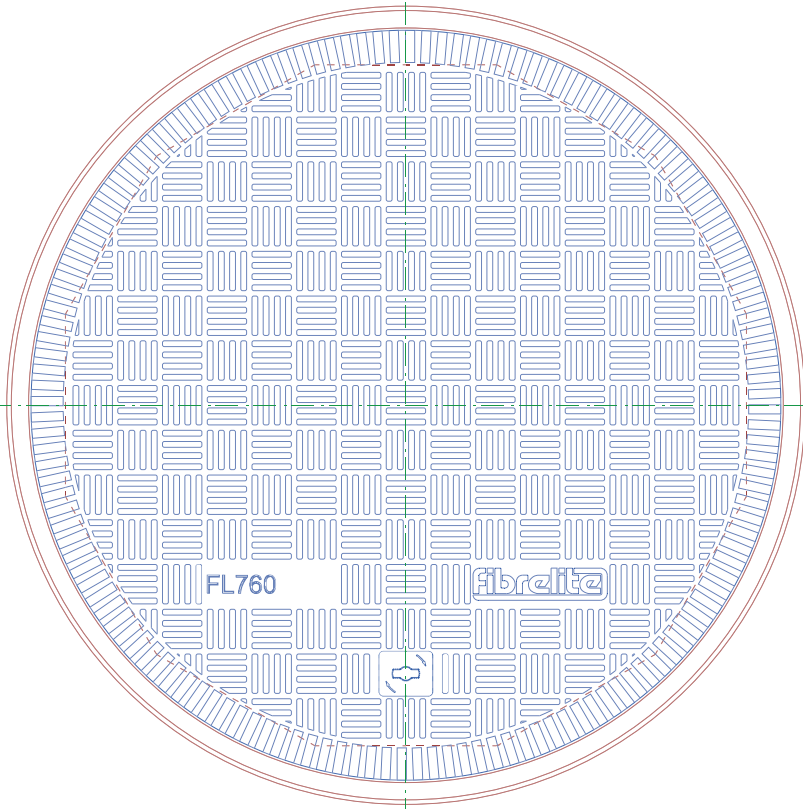
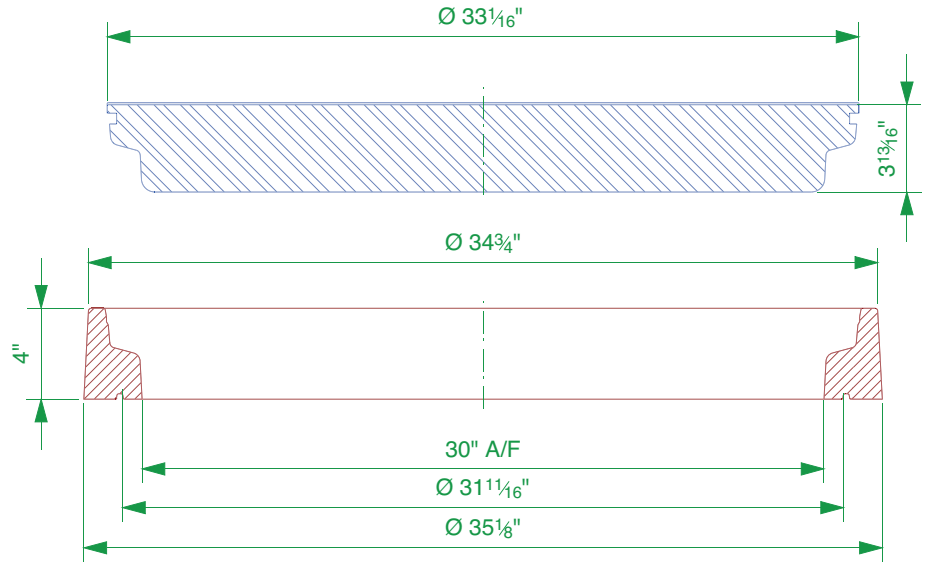
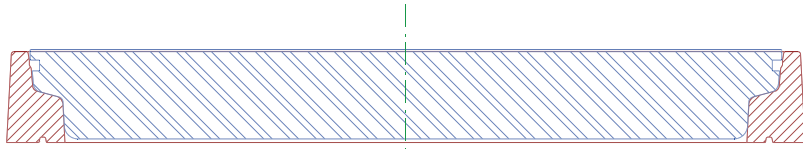




30" diameter flat sealed composite cover and frame.

For reference purposes only. This drawing is not a specification. Order against product code only. To enable continuous improvement of our products, the designs and specifications are subject to change without notice.

FIBRELITE 
PART OF OPW A  COMPANY



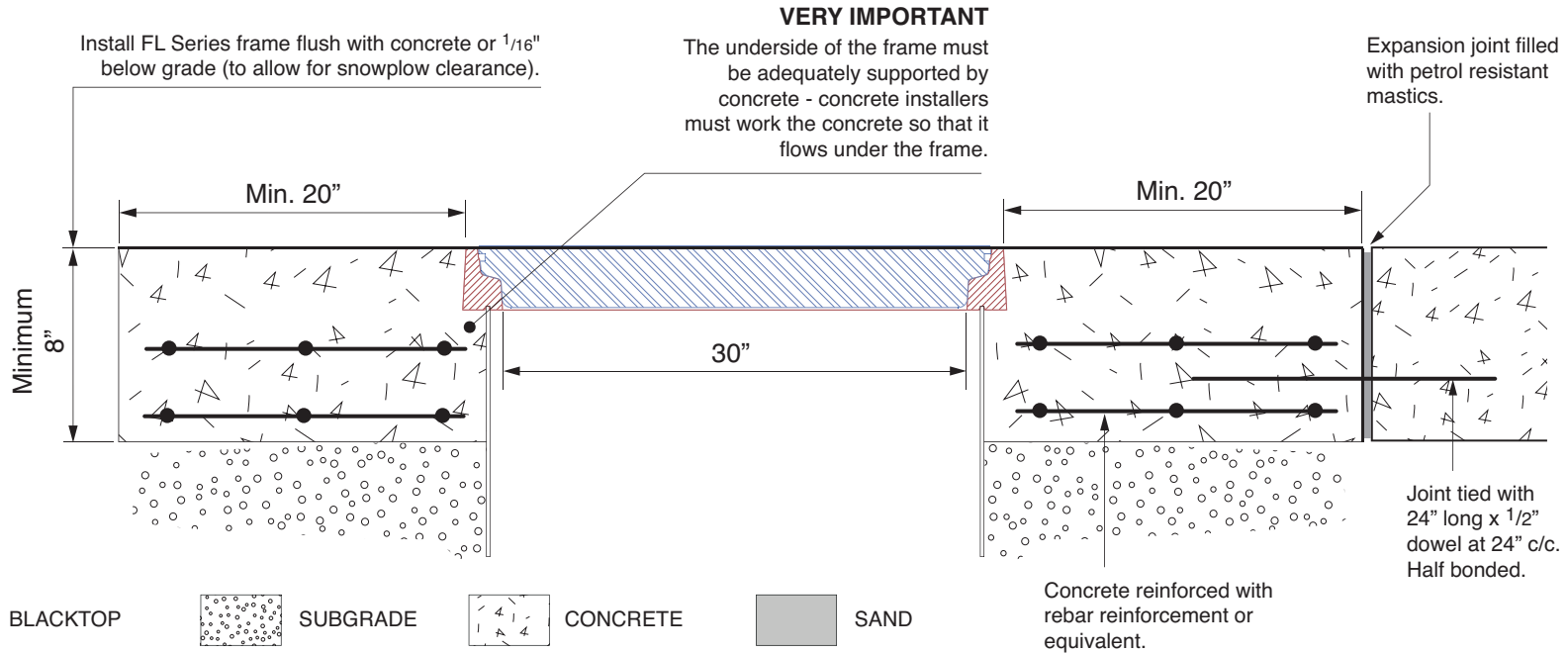
FIBRELITE COVER TYPE	LOAD RATING	TEST LOAD	POUNDS/FORCE	COVER WEIGHT
Light Duty (LD)	B125	125 kN	28,000	--
Standard Duty (SD)	C250	250 kN	56,000	60 lbs
Heavy Duty (HD)	D400	400 kN	89,000	79 lbs

30" diameter flat sealed composite cover and frame.

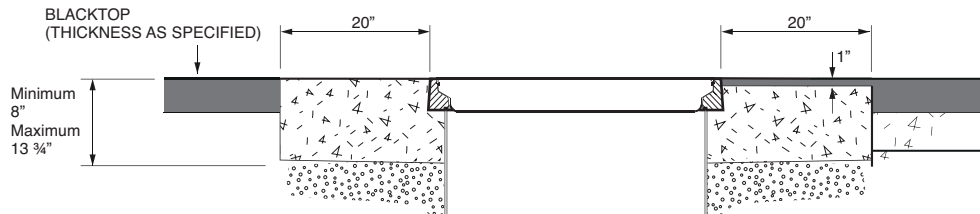
For reference purposes only. This drawing is not a specification. Order against product code only. To enable continuous improvement of our products, the designs and specifications are subject to change without notice.



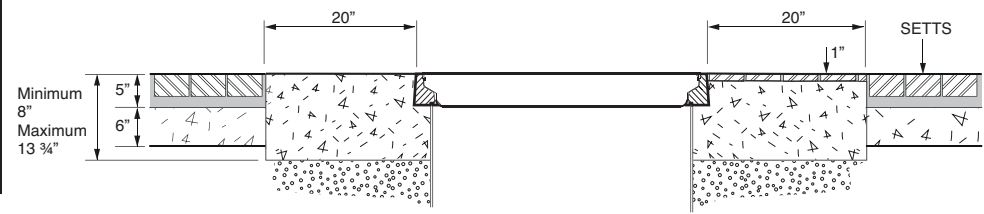
CONCRETE



BLACKTOP



PAVING STONES / BRICKWORK



30" diameter flat sealed composite cover and frame.

For reference purposes only. This drawing is not a specification. Order against product code only. To enable continuous improvement of our products, the designs and specifications are subject to change without notice.

FIBRELITE 
PART OF OPW A DOVER COMPANY