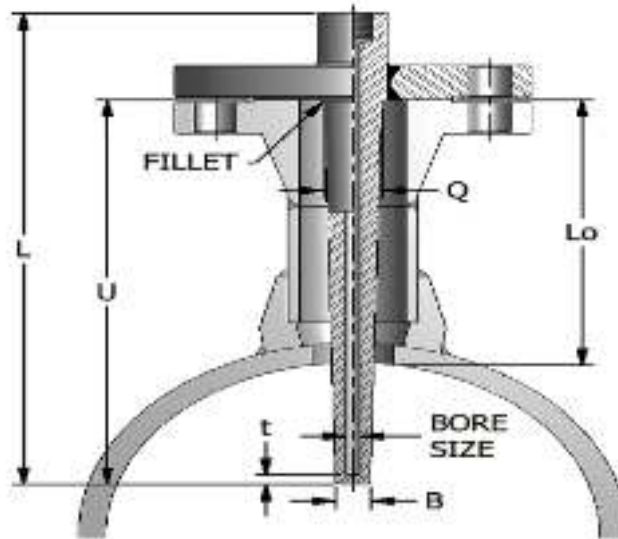


# Honeywell

## Thermowell Wake Frequency Calculation

In accordance with ASME PTC-19.3-TW-2016



### Required Information

Tag Number:
Process Fluid:
Fluid Temperature (°F, °C, K):
Fluid Pressure (psi, Bar, Pa, MPa, KPa, kg/cm <sup>2</sup> ):
Fluid Velocity (ft/s, m/s, mm/s, cm/s):
Fluid Density (lb/ft <sup>3</sup> , kg/cm <sup>2</sup> , g/cm <sup>3</sup> , lb/in <sup>3</sup> , kg/m <sup>3</sup> ):
Fluid Viscosity (Centipoise):
Shielded Length "Lo" (Optional):

Note: Maximum fluid temperature restricted to upper temperature limits of thermowell material as listed in ASME B31.1